

# RYOBI®

## OGS1822

ORIGINAL INSTRUCTIONS  
TRADUCTION DES INSTRUCTIONS ORIGINALES  
ÜBERSETZUNG DER ORIGINALANLEITUNG  
TRADUCCIÓN DE LAS INSTRUCCIONES ORIGINALES  
TRADUZIONE DELLE ISTRUZIONI ORIGINALI  
VERTALING VAN DE ORIGINELE INSTRUCTIES  
TRADUÇÃO DAS INSTRUÇÕES ORIGINAIS  
OVERSÆTTELSE AF DE ORIGINALE INSTRUKTIONER  
ÖVERSÄTTNING AV DE URSPRUNGLIGA INSTRUKTIONERNA  
ALKUPERÄISTEN OHJEIDEN SUOMENNO  
OVERSETTELSE AV DE ORIGINALE INSTRUKSJONENE  
ПЕРЕВОД ОРИГИНАЛЬНЫХ ИНСТРУКЦИЙ  
TŁUMACZENIE INSTRUKCJI ORYGINALNEJ  
PŘEKLAD ORIGINÁLNÍCH POKYNŮ  
AZ EREDETI ÚTMUTATÓ FORDÍTÁSA  
TRADUCEREA INSTRUCȚIUNILOR ORIGINALE  
TULKOTS NO ORIĢINĀLĀS INSTRUKCIJAS  
ORIGINALIŲ INSTRUKCIJŲ VERTIMAS  
ORIGINAALJUHENDI TÕLGE  
PRIJEVOD ORIGINALNIH UPUTA  
PREVOD ORIGINALNIH NAVODIL  
PREKLAD ORIGINÁLNYCH POKYNOV  
ПРЕВОД ОТ ОРИГИНАЛНИТЕ ИНСТРУКЦИИ  
ПЕРЕКЛАД ОРИГИНАЛЬНИХ ІНСТРУКЦІЙ  
ORIJINAL TALĪMATLAR



EN  
FR  
DE  
ES  
IT  
NL  
PT  
DA  
SV  
FI  
NO  
RU  
PL  
CS  
HU  
RO  
LV  
LT  
ET  
HR  
SL  
SK  
BG  
UK  
TR





- Important!** It is essential that you read the instructions in this manual before assembling, maintaining and operating the product.
- Attention!** Il est essentiel que vous lisiez les instructions contenues dans ce manuel avant d'assembler, d'entretenir et d'utiliser le produit.
- Achtung!** Es ist wichtig, dass Sie vor Zusammenbau, Wartung und Benutzung des Produktes die Anweisungen in dieser Anleitung lesen.
- ¡Atención!** Resulta fundamental que lea este manual de instrucciones antes de realizar el montaje, el mantenimiento y de utilizar este producto
- Attenzione!** È importante leggere le istruzioni contenute nel presente manuale prima di montare il prodotto, svolgere le operazioni di manutenzione sullo stesso e metterlo in funzione.
- Let op!** Het is van essentieel belang dat u de instructies in deze gebruiksaanwijzing leest voor u het product monteert, onderhoudt en gebruikt.
- Atenção!** É fundamental que leia as instruções deste manual antes da montagem, manutenção e operação do aparelho.
- OBS!** Det er vigtigt, at man læser instrukserne i denne brugsanvisning, inden man samler, vedligeholder og betjener produktet.
- Observera!** Det är viktigt att du läser instruktionerna i manualen före montering, användning och underhåll av produkten.
- Huomio!** On tärkeää, että luet tämän käsikirjan ohjeet ennen tuotteen kokoamista, huoltoa ja käyttöä.
- Advarsel!** Det er viktig at du leser instruksjonene i denne manualen før sammensetning, vedlikehold og bruk av produktet
- Внимание!** Необходимо прочитать инструкции в данном руководстве перед сборкой, обслуживанием и эксплуатацией этого изделия.
- Uwaga!** Koniecznie należy przeczytać instrukcje zawarte w tym podręczniku przed montażem, obsługą oraz konserwacją produktu.
- Důležité upozornění!** Neinstalujte, neprovádějte údržbu ani nepoužívejte tento výrobek dříve, než si přečtete pokyny uvedené v tomto návodu.
- Figyelem!** Fontos, hogy a termék összeszerelése, karbantartása és használatá elött elolvassa a kézikönyvben található utasításokat.
- Atenție!** Este esențial să citiți instrucțiunile din acest manual înainte de asamblare, efectuarea întreinerii și operarea produsului.
- Uzmanību!** Ir svarīgi izlasīt šīs rokasgrāmatas instrukcijas pirms uzstādīšanas, apkopes un precas darbināšanas.
- Dėmesio!** Prieš surenkant, prižiūrint ir naudojam gaminį, būtina perskaityti šiam vadove pateiktus nurodymus.
- Tähtis!** Enne masina kokkupanekut, hooldamist ja kasutama hakkamist tuleb käesolevas juhendis esitatud juhised kindlasti läbi lugeda.
- Upozorenje!** Vrlo je važno da ste prije sklapanja, održavanja i rada s ovim proizvodom pročitali upute u ovom priručniku.
- Pomembno!** Pomembno je da pred montažo vzdrževanjem in uporabo tega izdelka preberete navodila v tem priročniku.
- Upozornenie!** Je dôležité, aby ste si pred montážou, údržbou a obsluhou produktu prečítali pokyny v tomto návode.
- Важно!** Исключительно важно е да прочетете инструкциите в настоящото ръководство, преди да преминете към сглобяване, поддръжка или работа с продукта.
- Важливо!** Дуже важливо, щоб ви прочитали інструкції в цьому керівництві перед складанням, обслуговуванням та експлуатацією цієї машини.
- Önemli!** Ürünü monte etmeden, kullanmadan ve bakımını yapmadan önce bu kılavuzdaki talimatları okumanız önemlidir.

Subject to technical modification | Sous réserve de modifications techniques | Technische Änderungen vorbehalten | Bajo reserva de modificaciones técnicas | Con riserva di eventuali modifiche tecniche | Technische wijzigingen voorbehouden | Com reserva de modificações técnicas | Med forbehold for tekniske ændringer | Med förbehåll för tekniska ändringar | Tekniset muutokset varataan | Med forbehold om tekniske endringer | могут быть внесены технические изменения | Z zastrzeżeniem modyfikacji technicznych | Změny technických údajů vyhrazeny | A műszaki módosítás jogát fenntartjuk | Sub rezerva modificațiilor tehnice | Paturam tiesības mainīt tehniskos raksturlielumus | Pasiliekiant teisę daryti techninius pakeitimus | Tehnilised muudatused võimalikud | Podloženo tehničkim promjenama | Tehnične spremembe dopuščene | Právo na technické zmeny je vyhradené | Подлежи на технически модификации | Є об'єктом для технічних змін | Teknik değişikliğe tabidir.



Safety, performance, and dependability have been given top priority in the design of your cordless grass shears/shrubber.

### INTENDED USE

The cordless grass shears/shrubber is only intended for use outdoors in a well-ventilated area.

The product is designed for home or domestic use.

When used with a shear attachment, the product is intended for light trimming of grass and weeds.

When used with a shrubber attachment, the product is intended for light trimming of shrubs, hedges, and bushes.

Do not use the product for any other purpose.

### GENERAL POWER TOOL SAFETY WARNINGS

#### WARNING

**Read all safety warnings and all instructions.** Failure to follow the warnings and instructions may result in electric shock, fire and/or serious injury.

**Save all warnings and instruction for future reference.**

The term "power tool" in the warnings refers to your mains-operated (corded) power tool or battery-operated (cordless) power tool.

#### Work area safety

- **Keep work area clean and well lit.** Cluttered or dark areas invite accidents.
- **Do not operate power tools in explosive atmospheres, such as in the presence of flammable liquids, gases or dust.** Power tools create sparks which may ignite the dust or fumes.
- **Keep children and bystanders away while operating a power tool.** Distractions can cause you to lose control.

#### Electrical safety

- **Power tool plugs must match the outlet. Never modify the plug in any way. Do not use any adapter plugs with earthed (grounded) power tools.** Unmodified plugs and matching outlets will reduce risk of electric shock.
- **Avoid body contact with earthed or grounded surfaces, such as pipes, radiators, ranges and refrigerators.** There is an increased risk of electric shock if your body is earthed or grounded.
- **Do not expose power tools to rain or wet conditions.** Water entering a power tool will increase the risk of electric shock.
- **Do not abuse the cord. Never use the cord for carrying, pulling or unplugging the power tool. Keep cord away from heat, oil, sharp edges or moving parts.** Damaged or entangled cords increase the risk of electric shock.
- **When operating a power tool outdoors, use an extension cord suitable for outdoor use.** Use of a cord suitable for outdoor use reduces the risk of electric

shock.

- **If operating a power tool in a damp location is unavoidable, use a residual current device (RCD) protected supply.** Use of an RCD reduces the risk of electric shock.

#### Personal safety

- **Stay alert, watch what you are doing and use common sense when operating a power tool. Do not use a power tool while you are tired or under the influence of drugs, alcohol or medication.** A moment of inattention while operating power tools may result in serious personal injury.
- **Use personal protective equipment. Always wear eye protection.** Protective equipment such as dust mask, non-skid safety shoes, hard hat, or hearing protection used for appropriate conditions will reduce personal injury.
- **Prevent unintentional starting. Ensure the switch is in the off-position before connecting to power source and/or battery pack, picking up or carrying the tool.** Carrying power tools with your finger on the switch or energising power tools that have the switch on invites accidents.
- **Remove any adjusting key or wrench before turning the power tool on.** A wrench or a key left attached to a rotating part of the power tool may result in personal injury.
- **Do not overreach. Keep proper footing and balance at all times.** This enables better control of the power in unexpected situations.
- **Dress properly. Do not wear loose clothing or jewellery. Keep your hair, clothing and gloves away from moving parts.** Loose clothes, jewellery or long hair can be caught in moving parts.
- **If devices are provided for the connection of dust extraction and collection facilities, ensure these are connected and properly used.** Use of dust collection can reduce dust-related hazards.

#### Power tool use and care

- **Do not force the power tool. Use the correct power tool for your application.** The correct power tool will do the job better and safer at the rate for which it was designed.
- **Do not use the power tool if the switch does not turn it on and off.** Any power tool that cannot be controlled with switch is dangerous and must be repaired.
- **Disconnect the plug from the power source and/or the battery pack from the power tool before making any adjustments, changing accessories, or storing power tools.** Such preventive safety measures reduce the risk of starting the power tool accidentally.
- **Store idle power tools out of the reach of children and do not allow persons unfamiliar with the power tool or these instructions to operate the power tool.** Power tools are dangerous in the hands of untrained users.
- **Maintain power tools. Check for misalignment or binding of moving parts, breakage of parts and any**

other condition that may affect the power tool's operation. If damaged, have the power tool repaired before use. Many accidents are caused by poorly maintained power tools.

- **Keep cutting tools sharp and clean.** Properly maintained cutting tools with sharp cutting edges are less likely to bind and are easier to control.
- **Use the power tool, accessories and tool bits etc. in accordance with these instructions, taking into account the working conditions and the work to be performed.** Use of the power tool for operations different from those intended could result in a hazardous situation.

#### Battery tool use and care

- **Recharge only with the charger specified by the manufacturer.** A charger that is suitable for one type of battery pack may create a risk of fire when used with another battery pack.
- **Use power tools only with specifically designated battery packs.** Use of any other battery packs may create a risk of injury and fire
- **When battery pack is not in use, keep it away from other metal objects, like paper clips, coins, keys, nails, screws or other small metal objects that can make a connection from one terminal to another.** Shorting the battery terminals together may cause burns or a fire.
- **Under abusive conditions, liquid may be ejected from the battery; avoid contact. If contact accidentally occurs, flush with water. If liquid contacts eyes, additionally seek medical help.** Liquid ejected from the battery may cause irritation or burns.

#### Service

- **Have your power tool serviced by a qualified repair person using only identical replacement parts.** This will ensure that safety of the power tool is maintained.

### GRASS SHEARS/SHRUBBER SAFETY WARNINGS

#### ⚠ WARNING

The cutting means continues to run after the motor is switched off.

#### TRAINING

- Read the instructions carefully. Be familiar with the controls and the correct use of the product.
- Never allow children, persons with reduced physical, sensory, or mental capabilities or lack of experience and knowledge, or people unfamiliar with these instructions to use the product. Local regulations may restrict the age of the operator.
- Keep in mind that the operator or user is responsible for accidents or hazards occurring to other people or their property.

#### PREPARATION

- Inspect the product before use. Replace damaged parts.
- Clear the area to be cut before each use. Remove all objects such as cords, lights, wire, or string that can become entangled in the cutting means.
- Never operate the product while people, especially children, or pets are nearby.
- Replace cutter blades or any other parts that are cracked, chipped, or damaged. Make sure the cutting means is properly installed and securely fastened. Failure to do so can result in personal injury to the operator and bystanders, as well as damage to the product.
- Do not use the product if the switch will not turn the product on or off. Any product that cannot be controlled with the switch is dangerous and must be repaired.
- Form the habit of checking to see that keys and adjusting wrenches are removed from the product before turning it on.

#### OPERATION

- To reduce the risk of injury, always wear full eye protection, footwear, and clothing when using the product.
- Dress properly. Do not wear loose clothing or jewellery; they can be caught in moving parts. Use of gloves, substantial footwear, and long trousers is recommended when working outdoors.
- Avoid using the product in bad weather conditions especially when there is a risk of lightning.
- Switch on the motor only when the hands and feet are away from the cutting means.
- Take care against injury to feet and hands from the cutting means.
- Always be aware of your surroundings and stay alert for possible hazards that you may not hear due to the noise of the product.
- Never attempt to use an incomplete product or one fitted with an unauthorised modification.

### HEDGE TRIMMER SAFETY WARNINGS

- **Keep all parts of the body away from the cutter blade. Do not remove the cut material or hold the material to be cut when blades are moving. Make sure the switch is off when clearing jammed materials.** A moment of inattention while operating the hedge trimmer may result in serious personal injury.
- **Carry the hedge trimmer by the handle with the cutter blade stopped. When transporting or storing the hedge trimmer, always fit the cutting device cover.** Proper handling of the hedge trimmer reduces possible personal injury from the cutter blades.
- **Hold the power tool by insulated gripping surfaces only, because the cutter blade may contact hidden wiring.** Cutter blades contacting a "live" wire may make exposed metal parts of the power tool "live" and could give the operator an electric shock.
- **Keep cable away from cutting area.** During operation,



the cable may be hidden in shrubs and can be accidentally cut by the blade.

- Check the hedge for foreign objects, such as wire fences.

### ADDITIONAL SAFETY WARNINGS

- To avoid accidental starting, never carry the product with your finger on the trigger.
- Wear heavy, long trousers, substantial footwear, and well-fitting gloves. Do not wear short trousers and sandals, or go barefoot.
- Ensure the switch is in the off position before inserting the battery pack. Inserting the battery pack into the product with the switch on invites accidents.
- Do not operate in poor lighting. Use the product in daylight or with good artificial light.
- Keep firm footing and balance. Do not overreach. Overreaching can result in loss of balance. Always be sure of your footing on slopes. Walk, never run.
- Do not force the product. It will do the job better and safer at the speed for which it was designed.
- Before starting the product, make sure the cutting means will not come in contact with anything. If the cutting means strikes or becomes entangled with foreign objects, stop the product immediately, remove the battery pack, and check for damage. Do not operate the product with loose or damaged parts.
- Check for damaged parts, alignment of moving parts, binding of moving parts, and any other condition that may affect the operation. Before further use of the product, other parts that are damaged should be carefully checked to determine that it will operate properly and perform its intended function. Any damaged parts should be properly repaired or replaced by an authorised service centre.
- To reduce the risk of injury associated with contacting moving parts, always stop the product, remove the battery pack, make sure all moving parts have come to a stop, and allow the product to cool down:
  - whenever the product is left unattended
  - before clearing a blockage
  - before checking, cleaning, or working on the product
  - after striking a foreign object
  - whenever the product starts vibrating abnormally
- Keep hands away from the cutting means. Do not attempt to remove cut material or hold the material to be cut when the cutter blades are moving. Make sure the battery pack is removed and the trigger is released when clearing jammed material from the cutting means. Do not grasp the exposed cutter blades or cutting edges when picking up or holding the product.
- Keep hands, face, and feet at a safe distance from the moving parts. Do not touch or try to stop the cutter blades when they are moving.
- Always stop the motor when cutting is delayed or when walking from one cutting location to another.
- Keep the product clean of grass clippings and other materials. They may become lodged in the cutting means.

- Fit the blade sheath when product is not in use.
- Never douse or squirt the product with water or any other liquid. Keep handles dry, clean, and free from debris.

### TRANSPORTATION AND STORAGE

- Never operate the product with defective guards or shields, or without safety devices.
- Immediately switch off and remove the battery in the event of accident or breakdown. Don't operate the product again until it has been fully checked by an authorised service centre.
- When transporting or storing the product, always fit the product with the blade sheath.
- Clean the product thoroughly before storing. Store the product in a dry, well-ventilated place that is inaccessible to children. Keep away from corrosive agents such as garden chemicals and de-icing salts.
- Store and charge the battery packs in a cool area. Temperatures above or below normal room temperature will shorten the battery life.
- Never store the battery packs in a discharged condition. Wait for the battery pack to cool down and charge immediately.
- When transporting the product in a vehicle, secure it against movement or falling to prevent injury to persons or damage to the product.

### TRANSPORTING LITHIUM BATTERIES

Transport the battery in accordance with local and national provisions and regulations.

Follow all special requirements on packaging and labelling when transporting batteries by a third party. Ensure that no batteries can come in contact with other batteries or conductive materials while in transport by protecting exposed connectors with insulating, nonconductive caps or tape. Do not transport batteries that are cracked or leaking. Check with the forwarding company for further advice.

### MAINTENANCE

#### WARNING

Use only original manufacturer's replacement parts, accessories, and attachments. Failure to do so can cause possible injury, contribute to poor performance, and may void your warranty.

#### WARNING

Servicing requires extreme care and knowledge and should be performed only by a qualified service technician. For service, bring the product to an authorised service centre for repair. When servicing, use only original replacement parts.

- Use gloves when maintaining the cutting means.
- Maintain the product with care. Keep the cutter edge

EN
FR
DE
ES
IT
NL
PT
DA
SV
FI
NO
RU
PL
CS
HU
RO
LV
LT
ET
HR
SL
SK
BG
UK
TR



sharp and clean for best performance and to reduce the risk of injury. Follow instructions for lubricating and changing accessories. Keep handles dry, clean, and free from oil and grease.

- Switch off the product and remove the battery pack before conducting any maintenance or cleaning work.
- After each use, clean the body and handles with a soft, dry cloth.
- After each use, clean the debris from the blades with a stiff brush, and then carefully apply a rust preventative lubricant before refitting the blade sheath. The manufacturer recommends you use a rust preventative and lubricant spray to apply an even distribution and reduce the risk of personal injury from contact with the cutter blades. For information about suitable spray product, check with an authorised service centre.
- Avoid using solvents when cleaning plastic parts. Most plastics are susceptible to damage from various types of commercial solvents and may be damaged by their use. Use clean cloths to remove dirt, dust, oil, and grease.
- Always ensure that the ventilation openings are kept clear of debris.
- Periodically inspect the cutting means for damage and wear.
- Always use the manufacturer's specified replacement blades.
- For easier operation and longer blade life, lubricate the cutter blades before and after each use. Before lubricating, remove the battery pack and lay cutter blades on a flat surface. Apply lightweight machine oil along the edge of the top blade. Do not apply oil when the product is running.

### RESIDUAL RISK

Even when the product is used as prescribed, it is still impossible to completely eliminate certain residual risk factors. The following hazards may arise in use, and the operator should pay special attention to avoid the following:

- Injury caused by vibration
  - Hold the product by designated handles and restrict working time and exposure.
- Injury caused by exposure to noise
  - Wear hearing protection and limit exposure.
- Injury caused by contact with the blades
  - The blade cannot be guarded while cutting. Keep the blade away from yourself and others. Cover it with the blade sheath when the product is not in use.

### RISK REDUCTION

It has been reported that vibrations from handheld tools may contribute to a condition called Raynaud's Syndrome. Symptoms may include tingling, numbness and blanching of the fingers, usually apparent upon exposure to cold. Hereditary factors, exposure to cold and dampness, diet, smoking and work practices are all thought to contribute to the development of these symptoms. There are

measures that can be taken by the operator to possibly reduce the effects of vibration:

- Keep your body warm in cold weather. When operating the product wear gloves to keep the hands and wrists warm. It is reported that cold weather is a major factor contributing to Raynaud's Syndrome.
- After each period of operation, exercise to increase blood circulation.
- Take frequent work breaks. Limit the amount of exposure per day.

If you experience any of the symptoms of this condition, immediately discontinue use and see your physician.

### WARNING

Injuries may be caused, or aggravated by prolonged use of a tool. When using any tool for prolonged periods, ensure you take regular breaks.

### KNOW YOUR PRODUCT

See page 139.

1. Rear handle
2. Trigger lock button
3. Trigger
4. Grass shear blade
5. Grass shear blade sheath
6. Shrubber blade
7. Shrubber blade sheath
8. Battery pack
9. Battery latch button
10. Charger
11. Blade securing knob
12. Blade post
13. Rubber socket port cover

### SYMBOLS ON THE PRODUCT



Safety alert



Read and understand all instructions before operating the product, follow all warnings and safety instructions.



Wear eye protection.



Wear ear protection.



Wear non-slip, heavy-duty protective gloves.



Do not expose to rain or damp condition.



To prevent serious injury, do not touch cutting blades.



Beware of thrown or flying objects. Keep all bystanders, especially children and pets, at least 15m away from the operating area.



Caution! Cutting means continues to run after the motor is switched off.



Waste electrical products should not be disposed of with household waste. Please recycle where facilities exist. Check with your local authority or retailer for recycling advice.



Conforms to all regulatory standards in the country in the EU where the product is purchased.



EurAsian Conformity Mark



Ukrainian mark of conformity



The guaranteed sound power level shown on this label is 86 dB.

## SYMBOLS IN THIS MANUAL



Parts or accessories sold separately



Note



Warning

EN

FR

DE

ES

IT

NL

PT

DA

SV

FI

NO

RU

PL

CS

HU

RO

LV

LT

ET

HR

SL

SK

BG

UK

TR

The following signal words and meanings are intended to explain the levels of risk associated with this product:

### DANGER

Indicates an imminently hazardous situation, which, if not avoided, will result in death or serious injury.

### WARNING

Indicates a potentially hazardous situation, which, if not avoided, could result in death or serious injury.

### CAUTION

Indicates a potentially hazardous situation, which, if not avoided, may result in minor or moderate injury.

### CAUTION

Without safety alert symbol

Indicates a situation that may result in property damage.



Votre cisaille à gazon/taille-haies sans fil a été conçue(e) en donnant priorité à la sécurité, à la performance et à la fiabilité.

### UTILISATION PRÉVUE

La cisaille gazon/taille-haies sans fil est uniquement conçue pour une utilisation en extérieur dans des endroits bien ventilés.

Ce produit est destiné à un usage domestique ou privé.

S'il est utilisé avec une attache de cisaillement, le produit est conçu pour la coupe facile de gazon et des mauvaises herbes.

S'il est utilisé avec une attache d'arbuste, le produit est conçu pour la coupe facile des arbustes, des haies et des buissons.

Utilisez ce produit pour aucun autre travail.

### AVERTISSEMENTS GÉNÉRAUX DE SÉCURITÉ

#### AVERTISSEMENT

Lisez tous les avertissements et indications. Le non-respect des avertissements et instructions indiqués ci-après peut entraîner une décharge électrique, un incendie et/ou de graves blessures.

**Conservez tous les avertissements et toutes les instructions pour pouvoir vous reporter ultérieurement.**

La notion d'« outil électrique » mentionnée dans les avertissements se rapporte à des outils électriques raccordés au secteur (avec câble de raccordement) et à des outils électriques fonctionnant sur batterie (sans câble de raccordement).

#### Sécurité dans la zone de travail

- **Maintenez la zone de travail propre et bien éclairée.** Un lieu de travail en désordre ou mal éclairé augmente le risque d'accidents.
- **N'utilisez pas l'outil électrique dans un environnement présentant des risques d'explosion et où se trouvent des liquides, des gaz ou poussières inflammables.** Les outils électriques génèrent des étincelles risquant d'enflammer les poussières ou les vapeurs.
- **Tenez les enfants et autres personnes éloignés durant l'utilisation de l'outil électrique.** En cas d'inattention vous risquez de perdre le contrôle de l'appareil.

#### Sécurité relative au système électrique

- **La fiche de secteur de l'outil électrique doit être appropriée à la prise de courant. Ne modifiez en aucun cas la fiche. N'utilisez pas de fiches d'adaptateur avec des outils électriques avec mise à la terre.** Les fiches non modifiées et les prises de courant appropriées réduisent le risque de décharge électrique.
- **Évitez le contact physique avec des surfaces mises à la terre tels que tuyaux, radiateurs, fours et réfrigérateurs.** Il existe un risque accru de décharge

électrique si votre corps est relié à la terre.

- **N'exposez pas l'outil électrique à la pluie ou à l'humidité.** La pénétration d'eau dans un outil électrique augmente le risque de décharge électrique.
- **Ne maltraitez pas le cordon. N'utilisez jamais le cordon pour porter, tirer ou débrancher l'outil. Maintenez le câble éloigné des sources de chaleur, des parties grasses, des bords tranchants ou des parties de l'appareil en rotation.** Un câble endommagé ou torsadé augmente le risque de décharge choc électrique.
- **Au cas où l'outil électrique serait utilisé à l'extérieur, utilisez une rallonge adaptée aux applications extérieures.** L'utilisation d'une rallonge électrique appropriée pour les applications extérieures réduit le risque de décharge électrique.
- **Si une utilisation de l'outil électrique dans un environnement humide ne peut pas être évitée, utilisez un disjoncteur différentiel.** Un disjoncteur différentiel réduit le risque de décharge électrique.

#### Sécurité des personnes

- **Restez vigilant, regardez ce que vous faites. Faites preuve de bon sens en utilisant l'outil électrique. N'utilisez pas un outil électrique lorsque vous êtes fatigué ou après avoir consommé de l'alcool, de la drogue ou avoir pris des médicaments.** Un moment d'inattention lors de l'utilisation de l'outil électrique peut entraîner de graves blessures.
- **Portez des équipements de protection. Portez toujours des lunettes de protection.** Les équipements de sécurité tels que les masques anti-poussière, les chaussures de sécurité antidérapantes, les casques ou les protections acoustiques utilisés pour les conditions appropriées réduiront les blessures.
- **Évitez toute mise en service accidentelle. Assurez-vous que l'interrupteur est en position « arrêt » avant le raccordement au secteur et/ou l'insertion de la batterie, ainsi qu'avant de saisir ou de transporter l'outil.** Le transport d'un outil électrique avec votre doigt sur l'interrupteur ou la mise sous tension d'un outil dont l'interrupteur est en position « marche » est propice aux accidents.
- **Enlevez tout outil de réglage ou toute clé avant de mettre l'outil électrique en marche. Une clé ou un outil se trouvant sur une partie en rotation peut causer des blessures.**
- **Ne travaillez pas en extension. Gardez une position et un équilibre adaptés à tout moment.** Cela permet un meilleur contrôle de l'outil dans des situations inattendues.
- **Portez des vêtements appropriés. Ne portez pas de vêtements amples ni de bijoux. Maintenez vos cheveux, vêtements et gants éloignés des parties de l'appareil en rotation.** Des vêtements amples, des bijoux ou des cheveux longs peuvent être happés par des pièces en mouvement.
- **Si des dispositifs servant à aspirer ou à recueillir les poussières doivent être utilisés, vérifiez que ceux-ci soient effectivement raccordés et qu'ils sont correctement utilisés.** L'utilisation d'un dispositif





d'aspiration des poussières peut réduire les dangers dus aux poussières.

#### Utilisation et emploi soigneux d'outils électriques

- **Ne faites pas forcer l'outil. Utilisez l'outil électrique adapté au travail à effectuer.** Un outil électrique approprié effectuera un meilleur travail dans de meilleures conditions de sécurité s'il est utilisé dans les limites de ses capacités.
- **Ne pas utiliser un outil électrique dont l'interrupteur est défectueux.** Tout outil qui ne peut pas être contrôlé par son interrupteur est dangereux et doit être réparé.
- **Retirez la fiche de la prise de courant et/ou enlevez la batterie avant d'effectuer des réglages sur l'appareil, de changer les accessoires, ou de ranger l'appareil.** Cette mesure de précaution empêche de mettre en marche l'outil électrique par mégarde.
- **Rangez les outils à l'arrêt hors de portée des enfants et ne laissez pas des personnes qui ne sont pas familières avec l'outil ou les présentes instructions le faire fonctionner.** Les outils sont dangereux entre les mains d'utilisateurs novices.
- **Prenez soin de l'outil électrique. Vérifiez que les pièces en mouvement fonctionnent correctement et qu'elles ne soient pas coincées, et contrôlez si des pièces sont cassées ou endommagées de telle sorte que le bon fonctionnement de l'outil électrique s'en trouve entravé. Faites réparer ces pièces endommagées avant d'utiliser l'appareil.** De nombreux accidents sont dus à des outils électriques mal entretenus.
- **Maintenez les outils de coupe aiguisés et propres.** Des outils soigneusement entretenus avec des bords tranchants bien aiguisés se coincent moins souvent et peuvent être guidés plus facilement.
- **Utilisez l'outil, les accessoires et les lames etc., conformément à ces instructions, en tenant compte des conditions de travail et du travail à réaliser.** L'utilisation des outils électriques à d'autres fins que celles prévues peut entraîner des situations dangereuses.

#### Utilisation et emploi soigneux des outils électriques sans fil

- **Ne chargez la batterie que dans des chargeurs recommandés par le fabricant.** Un chargeur approprié à un type spécifique de batterie peut engendrer un risque d'incendie lorsqu'il est utilisé avec une autre batterie.
- **Dans les outils électriques, n'utilisez que les blocs de batteries spécialement prévus pour ceux-ci.** L'utilisation de tout autre bloc de batterie peut entraîner des blessures et des risques d'incendie.
- **Lorsqu'un bloc de batterie n'est pas utilisé, le maintenir à l'écart de tout autre objet métallique, par exemple trombones, pièces de monnaie, clés, clous, vis ou autres objets de petite taille qui peuvent donner lieu à une connexion d'une borne à une autre.** Un court-circuit entre les contacts de
- **En cas d'utilisation abusive, du liquide peut sortir du bloc de batterie. Évitez tout contact avec ce**

**liquide. En cas de contact accidentel, rincez soigneusement avec de l'eau. Au cas où le liquide rentrerait dans les yeux, consultez également un médecin.** Le liquide qui sort du bloc de batterie peut entraîner des irritations de la peau ou causer des brûlures.

#### Travaux d'entretien

- **Ne faites réparer l'outil électrique que par du personnel qualifié et seulement avec des pièces de rechange d'origine.** Cela assurera que la sécurité de l'outil est maintenue.

### AVERTISSEMENTS DE SÉCURITÉ RELATIFS À LA CISAILLE À

#### ⚠ AVERTISSEMENT

La lame continue de tourner après que le moteur soit éteint.

#### FORMATION

- Lisez attentivement les instructions. Familiarisez-vous avec les commandes du produit ainsi qu'avec son utilisation correcte.
- Ne laissez jamais les enfants, les personnes aux capacités physiques, sensorielles ou mentales réduites ou n'ayant pas l'habitude ou les connaissances suffisantes, ni les personnes non familiarisées avec ces instructions utiliser ce produit. Les lois locales peuvent imposer un âge minimum à l'opérateur.
- Gardez à l'esprit que l'opérateur est responsable des accidents qui arrivent aux autres personnes présentes dans sa propriété.

#### PRÉPARATION

- Vérifiez le produit avant chaque utilisation. Remplacez toute pièce endommagée.
- Nettoyez la zone à tailler avant chaque utilisation. Retirez tous les objets tels que les câbles, les éléments d'éclairage, les fils électriques ou les ficelles qui pourraient se voir projeter ou s'emmêler dans les éléments de coupe.
- N'utilisez jamais la machine si des personnes, en particulier des enfants, ou des animaux familiers se trouvent à proximité.
- Remplacez toute lame de coupe ou toute autre élément qui serait fendu, ébréché, ou endommagé. Assurez-vous que l'accessoire de coupe est bien en place et bien serré. Le non-respect de cette consigne pourrait entraîner des blessures à l'opérateur ou aux spectateurs, ainsi qu'endommager l'appareil.
- N'utilisez pas le produit si son interrupteur « arrêt » est inopérant à arrêter le moteur. Tout appareil qui ne peut pas être contrôlé par son interrupteur est dangereux et doit être réparé.
- Prenez l'habitude de vérifier que les clés sont retirées du produit avant d'allumer celui-ci.



## UTILISATION

- Afin de réduire le risque de blessure, portez toujours une protection oculaire, des chaussures et des vêtements de protection complets lors de l'utilisation du produit.
- Portez des vêtements appropriés. Ne portez pas des vêtements amples ou des bijoux ; ils peuvent être happés dans les pièces en mouvement. L'utilisation de gants, de chaussures solides et d'un pantalon long est recommandée pour le travail en extérieur.
- Évitez d'utiliser le produit par mauvais temps, en particulier en cas de risque d'éclairs.
- Allumez uniquement le moteur si vous avez les mains et les pieds éloignés des outils de coupe.
- Soyez prudent afin d'éviter de vous blesser au niveau des mains et des pieds sur les outils de coupe.
- Soyez toujours attentif à votre environnement et aux dangers potentiels que vous pourriez ne pas entendre à cause du bruit de la machine.
- Ne tentez jamais d'utiliser un produit incomplet ou enclenché avec une modification non autorisée.

## AVERTISSEMENTS DE SÉCURITÉ RELATIFS AU TAILLE-HAIES

- **Maintenez toutes les parties de votre corps éloignées de la lame de coupe. Ne tentez pas de retirer des matériaux coupés ou de maintenir un élément à couper lorsque les lames sont en mouvement. Assurez-vous que l'interrupteur est en position off (arrêt) lorsque vous enlevez les éléments responsables du blocage.** Un moment d'inattention lors de l'utilisation du produit peut provoquer de graves blessures.
- **Transportez le taille-haies par sa poignée avec les lames arrêtées. Mettez toujours le protège-lame en place lorsque vous transportez ou rangez le taille-haies.** Une manipulation correcte du taille-haies réduira les risques de blessures dues aux lames de coupe.
- **Ne tenez l'outil électrique que par ses surfaces de préhension isolées, car la lame de coupe est susceptible d'entrer en contact avec des câbles électriques cachés ou avec le câble d'alimentation de l'outil.** L'entrée en contact avec un fil électrique d'un câble « sous tension » pourrait véhiculer cette tension électrique vers les parties métalliques de l'outil et exposer l'opérateur à une décharge électrique.
- **Gardez le câble d'alimentation éloigné de la zone de coupe.** En cours d'opération, le câble est susceptible d'être caché dans les arbustes et d'être coupé accidentellement par les lames.
- Vérifiez l'absence d'objets étrangers dans la haie, tels que des fils de clôture.

## INSTRUCTIONS DE SÉCURITÉ ADDITIONNELLES

- Afin d'éviter toute mise en route accidentelle, ne portez jamais porter le produit avec le doigt placé sur le déclencheur.
- Portez un pantalon lourd, long, des chaussures solides et des gants de la bonne taille. Ne portez pas de

pantalons courts ou de sandales, et ne travaillez pas pieds nus.

- Assurez-vous que l'interrupteur est en position arrêté avant d'insérer le bloc de batterie. Insérer le bloc de batterie dans le produit lorsque l'interrupteur est sur marche est propice aux accidents.
- N'utilisez pas cet outil dans une zone mal éclairée. Veillez à ce que votre zone de travail soit bien éclairée (lumière du jour ou lumière artificielle).
- Gardez un bon appui et un bon équilibre. Ne travaillez pas en extension, vous pourriez perdre l'équilibre. Gardez toujours un bon appui dans les pentes. Marchez, ne courez jamais.
- Ne faites pas forcer le produit. Il effectuera un meilleur travail dans de meilleures conditions de sécurité s'il est utilisé à la vitesse pour laquelle il a été conçu.
- Avant de mettre l'appareil en marche, assurez-vous que les lames de coupe ne sont en contact avec rien. Si les lames se bloquent ou sont happées avec des corps étrangers, arrêtez immédiatement le produit, retirez le bloc de batterie, vérifiez l'absence de dommages. N'utilisez pas l'appareil si certains de ses éléments sont desserrés ou endommagés.
- Vérifiez l'absence de pièces endommagées, le bon alignement des pièces mobiles, la torsion des pièces en mouvement et toute autre condition pouvant affecter le fonctionnement de l'outil électrique. Avant de continuer à utiliser le produit, les autres pièces qui sont endommagées doivent être vérifiées soigneusement afin d'être sûr qu'elles vont fonctionner correctement et de la manière prévue. Toute pièce endommagée doit être correctement remplacée ou réparée par un service après-vente agréé
- Pour réduire les risques de blessures infligées par le contact avec des pièces en mouvement, arrêtez toujours le produit, retirez le bloc de batterie et veillez à ce que toutes les pièces en mouvement soient complètement immobilisées et que le produit ait refroidi avant de :
  - chaque fois que vous laissez le produit sans surveillance
  - avant de dégager un blocage
  - avant de travailler sur le produit, de le vérifier ou de le nettoyer
  - inspecter le produit après avoir heurté un objet étranger
  - si le produit se met à vibrer de façon anormale
- Gardez vos mains à l'écart des lames. Ne tentez pas de retirer des matériaux coupés ou de maintenir un élément à couper lorsque les lames sont en mouvement. Assurez-vous que le bloc de batterie est retiré et que le déclencheur est relâché lors du nettoyage de la matière colmatée dans les outils de coupe. Ne saisissez pas les lames de coupe nues ou leur tranchant lorsque vous soulevez l'appareil ou que vous le tenez.
- Maintenez vos mains, votre visage et vos pieds à une distance sûre des pièces mobiles. Ne touchez pas et n'essayez pas d'arrêter les lames de coupe lorsqu'elles sont en mouvement.
- Arrêtez toujours le moteur lorsque la taille prend du





retard ou lors du passage d'un site de coupe à un autre.

- Gardez le produit propre, sans résidu de gazon et autres matières. Ils pourraient se loger dans les lames de coupe.
- Mettez le protège-lame lorsque vous n'utilisez pas le produit.
- N'immergez jamais et n'aspergez jamais le produit avec de l'eau ou tout autre liquide. Gardez les poignées propres, sèches, et exemptes de débris.
- Transport et stockage
- N'utilisez jamais un appareil dont les carters ou les protections sont endommagés, ou dont les éléments de sécurité ne sont pas en place.
- Éteignez immédiatement l'appareil et enlevez la batterie en cas d'accident ou de panne. N'utilisez plus le produit jusqu'à ce qu'il ait été entièrement vérifié par un service après-vente agréé.
- Lors du transport ou du stockage du produit, fixez toujours le produit avec le manchon de la lame.
- Nettoyez soigneusement le produit avant le stockage. Rangez-le dans un endroit frais, sec et correctement ventilé, hors de portée des enfants. Ne le rangez pas à proximité d'agents corrosifs tels que des produits chimiques de jardinage ou des sels de dégel.
- Stockez et chargez les blocs de batteries dans un endroit frais. Les températures supérieures ou inférieures à la température ambiante normale réduisent la durée de vie de la batterie.
- Ne stockez jamais les bloc de batterie déchargés. Attendez que le bloc de batterie refroidisse et chargez-le immédiatement.
- Pour le transport, attachez le produit pour l'empêcher de bouger ou de tomber, afin d'éviter toute blessure et tout dommage matériel.

### TRANSPORT DES BATTERIES AU LITHIUM

Transportez les batteries en conformité avec les dispositions et règlements locaux et nationaux.

Respectez tous les exigences légales particulières concernant l'emballage et l'étiquetage des batteries lorsque vous confiez leur transport à un tiers. Assurez-vous qu'aucune batterie ne puisse entrer en contact avec une autre batterie ou avec des matériaux conducteurs lors de son transport en isolant les bornes électriques avec du ruban adhésif ou des capuchons isolants. Ne transportez pas une batterie qui serait fendue ou qui fuirait. Demandez conseil au transporteur pour de plus amples informations.

### ENTRETIEN

#### AVERTISSEMENT

N'utilisez que des pièces détachées et accessoires d'origine constructeur. Le non-respect de cette précaution peut entraîner de mauvaises performances, des blessures, et annuler votre garantie.

#### AVERTISSEMENT

Les opérations d'entretien demandent un soin et des connaissances extrêmes et ne doivent être effectuées que par un technicien de service qualifié. Pour l'entretien et les réparations, apportez le produit à un service après-vente agréé. N'utilisez que des pièces détachées identiques pour effectuer les réparations.

- Utilisez des gants lors de l'entretien des outils de coupe.
- Entretenez le produit avec soin. Gardez le bord de la lame affûté et propre pour une performance optimale et pour réduire le risque de blessure. Lubrifiez et changez les accessoires selon les instructions. Gardez les poignées propres, sèches, et exemptes d'huile et de graisse.
- Coupez l'alimentation et retirez le bloc de batterie avant d'effectuer toute opération de maintenance ou de nettoyage.
- Après chaque utilisation, utilisez un chiffon propre et sec pour nettoyer le corps et les poignées du produit.
- Après chaque utilisation, retirez les débris des lames à l'aide d'une brosse dure, puis appliquez délicatement un lubrifiant antirouille avant de remettre en place le protège-lame. Le fabricant vous recommande de déposer une couche régulière d'un aérosol lubrifiant et antirouille sur les lames pour réduire les risques de vous blesser en entrant en contact avec ces lames. Pour obtenir des informations sur un aérosol adapté, contactez votre service après-vente agréé local.
- Évitez d'utiliser des solvants pour nettoyer les parties en plastique. La plupart des plastiques sont susceptibles d'être endommagés par un grand nombre de solvants du commerce. Utilisez des chiffons propres pour retirer la saleté, les poussières, l'huile, la graisse, etc.
- Assurez-vous que les ouïes de ventilation sont en permanence exemptes de débris.
- Vérifiez régulièrement l'usure et les dommages éventuels subis par les lames.
- Utilisez toujours les lames de rechange spécifiées par le fabricant.
- Pour un service plus facile et une durée de vie plus longue, lubrifiez les lames avant et après chaque utilisation. Avant de les lubrifier, retirez le bloc de batterie et déposez les lames sur une surface plane. Appliquez de l'huile fine le long du bord de la lame supérieure. N'appliquez pas d'huile lorsque le produit est en marche.

### RISQUES RÉSIDUELS

Même lorsque le produit est utilisé selon les prescriptions, il reste impossible d'éliminer totalement certains facteurs de risque résiduels. Les dangers suivants risquent de se présenter en cours d'utilisation et l'utilisateur doit prêter particulièrement garde à ce qui suit :

- Blessures dues aux vibrations.
  - Maintenez le produit par les poignées destinées à cet effet et limitez le temps de travail et d'exposition.
- Perte d'audition provoquée par l'exposition au bruit.



- Portez une protection auditive et limitez le temps d'exposition.
- Blessures dues à l'entrée en contact avec les lames de coupe.
  - Les lames ne peuvent pas être protégées en cours de coupe. Gardez la lame éloignée des autres personnes et de vous-même. Mettez le protège-lame lorsque vous n'utilisez pas le produit.

## RÉDUCTION DES RISQUES

Il a été reporté que les vibrations engendrées par les outils tenus à la main peuvent contribuer à l'apparition d'un état appelé le syndrome de Raynaud chez certaines personnes. Les symptômes peuvent comprendre des fourmillements, un engourdissement et un blanchiment des doigts, généralement par temps froid. Des facteurs héréditaires, l'exposition au froid et à l'humidité, le régime alimentaire, le tabagisme et les habitudes de travail peuvent contribuer au développement de ces symptômes. Certaines mesures peuvent être prises par l'utilisateur pour aider à réduire les effets des vibrations:

- Gardez votre corps au chaud par temps froid. Lorsque vous utilisez le produit, portez des gants afin de garder vos mains et vos poignets au chaud. Le temps froid est considéré comme un facteur contribuant très largement à l'apparition du syndrome de Raynaud.
- Après chaque session de travail, pratiquez des exercices qui favorisent la circulation sanguine.
- Faites des pauses fréquentes. Limitez la quantité d'exposition journalière.
- Si vous ressentez l'un des symptômes associés à ce syndrome, arrêtez immédiatement le travail et consultez votre médecin pour lui en faire part.

### ⚠ AVERTISSEMENT

L'utilisation prolongée d'un outil est susceptible de provoquer ou d'aggraver des blessures. Assurez-vous de faire des pauses de façon régulière lorsque vous utilisez tout outil de façon prolongée.

## APPRENEZ À CONNAÎTRE VOTRE PRODUIT

Voir page 139.

- Poignée arrière
- Bouton de verrouillage de la gâchette
- Gâchette
- Lame de cisaille pour l'herbe
- Fourreau de lame de cisaille pour l'herbe
- Lame d'attache
- Fourreau de lame d'attache
- Bloc de batterie
- Bouton de verrouillage de la batterie
- Chargeur
- Bouton de verrouillage de la lame
- Pions de centrage de lame
- Cache en caoutchouc du port

## SYMBOLES APPLIQUÉS SUR LE PRODUIT



Avertissement



Lisez et comprenez toutes les instructions avant d'utiliser le produit, respectez tous les avertissements et toutes les instructions de sécurité.



Portez une protection oculaire.



Portez une protection auditive.



Portez des gants de protection solides et antidérapants.



N'exposez pas ce produit à la pluie ou à des conditions humides.



Ne touchez pas les lames afin d'éviter toute blessure grave.



Prenez garde à la projection d'objets au sol et dans les airs. Gardez tous les passants, en particulier les enfants et les animaux, éloignés d'au moins 15 m de distance de la zone de travail.



Attention ! La lame continue de tourner après que le moteur soit éteint.



Les produits électriques hors d'usage ne doivent pas être jetés avec les ordures ménagères. Recyclez-les par l'intermédiaire des structures disponibles. Contactez les autorités locales ou votre distributeur pour vous renseigner sur les conditions de recyclage.



Cet outil est conforme à l'ensemble des normes réglementaires du pays de l'UE où il a été acheté.



Marque de conformité d'Eurasie



Marque de conformité ukrainienne



Le niveau de puissance acoustique garanti indiqué sur cette étiquette est de 86 dB.

Les symboles suivants, et les noms qui leur sont associés, permettent d'expliquer les différents niveaux de risques liés à l'utilisation de cet outil.

**⚠ DANGER**

Imminence d'un danger qui, si l'on n'y prend garde, peut entraîner la mort ou des blessures graves.

**⚠ AVERTISSEMENT**

Situation potentiellement dangereuse qui, si l'on n'y prend garde, peut entraîner la mort ou des blessures graves.

**⚠ ATTENTION**

Situation potentiellement dangereuse qui, si l'on n'y prend garde, peut entraîner des blessures moyennes ou légères.

**ATTENTION**

Sans symbole d'alerte de sécurité

Indique une situation pouvant entraîner des dommages matériels.

**SYMBOLES DE CE MANUEL**



Pièces détachées et accessoires vendus séparément



Remarque



Avertissement

- EN
- FR**
- DE
- ES
- IT
- NL
- PT
- DA
- SV
- FI
- NO
- RU
- PL
- CS
- HU
- RO
- LV
- LT
- ET
- HR
- SL
- SK
- BG
- UK
- TR

Sicherheit, Leistung und Zuverlässigkeit hatten oberste Priorität bei der Entwicklung Ihrer Akku-Grasschere/ Strauchschere.

### BESTIMMUNGSGEMÄSSE VERWENDUNG

Die Akku-Grasschere/Strauchschere ist nur für die Nutzung im Freien in einem gut belüfteten Bereich ausgelegt.

Dieses Produkt wurde für den Hausgebrauch entwickelt.

Beim Einsatz mit einem Scheraufsatz dient das Gerät zum leichten Trimmen von Gras und Unkraut.

Beim Einsatz mit einem Heckenscherenaufsatz dient das Gerät zum leichten Trimmen von Büschen, Hecken und Sträuchern.

Es darf zu keinen anderen Zwecken verwendet werden.

### ALLGEMEINE SICHERHEITSWARNUNGEN

#### ⚠️ WARNUNG

Lesen Sie alle Sicherheitshinweise und Anweisungen. Versäumnisse bei der Einhaltung der Sicherheitshinweise und Anweisungen können elektrischen Schlag, Brand und/oder schwere Verletzungen verursachen.

Bewahren Sie alle Sicherheitshinweise und Anweisungen für die Zukunft auf.

Der in den Sicherheitshinweisen verwendete Begriff „Elektrowerkzeug“ bezieht sich auf netzbetriebene Elektrowerkzeuge (mit Netzkabel) und auf akkubetriebene Elektrowerkzeuge (ohne Netzkabel).

#### Arbeitsplatzsicherheit

- Halten Sie Ihren Arbeitsbereich sauber und gut beleuchtet. Unordnung oder unbeleuchtete Arbeitsbereiche können zu Unfällen führen.
- Arbeiten Sie mit dem Elektrowerkzeug nicht in explosionsgefährdeter Umgebung, in der sich brennbare Flüssigkeiten, Gase oder Stäube befinden. Elektrowerkzeuge erzeugen Funken, die den Staub oder die Dämpfe entzünden können.
- Halten Sie Kinder und andere Personen während der Benutzung des Elektrowerkzeugs fern. Bei Ablenkung können Sie die Kontrolle über das Gerät verlieren.

#### Elektrische Sicherheit

- Der Anschlussstecker des Elektrowerkzeuges muss in die Steckdose passen. Der Stecker darf in keiner Weise verändert werden. Verwenden Sie keine Adapterstecker gemeinsam mit schutzgeerdeten Elektrowerkzeugen. Unveränderte Stecker und passende Steckdosen verringern das Risiko eines elektrischen Schlages!
- Vermeiden Sie Körperkontakt mit geerdeten Oberflächen wie von Rohren, Heizungen, Herden und Kühlschränken. Es besteht ein erhöhtes Risiko durch elektrischen Schlag, wenn Ihr Körper geerdet ist.
- Halten Sie Elektrowerkzeuge von Regen oder Nässe fern. Das Eindringen von Wasser in ein

Elektrowerkzeug erhöht das Risiko eines elektrischen Schlages.

- Zweckentfremden Sie das Kabel nicht, um das Elektrowerkzeug zu tragen, aufzuhängen oder um den Stecker aus der Steckdose zu ziehen. Halten Sie das Kabel fern von Hitze, Öl, scharfen Kanten, oder sich bewegenden Geräteteilen. Beschädigte oder verwickelte Kabel erhöhen das Risiko eines elektrischen Schlages.
- Wenn Sie mit einem Elektrowerkzeug im Freien arbeiten, verwenden Sie nur Verlängerungskabel, die auch für den Außenbereich geeignet sind. Die Anwendung eines für den Außenbereich geeigneten Verlängerungskabels verringert das Risiko eines elektrischen Schlages.
- Wenn der Betrieb des Elektrowerkzeuges in feuchter Umgebung nicht vermeidbar ist, verwenden Sie einen Fehlerstromschutzschalter. Der Einsatz eines Fehlerstromschutzschalters vermindert das Risiko eines elektrischen Schlages.

#### Sicherheit von Personen

- Seien Sie aufmerksam, achten Sie darauf, was Sie tun und gehen Sie mit Vernunft an die Arbeit mit einem Elektrowerkzeug. Benutzen Sie kein Elektrowerkzeug, wenn Sie müde sind oder unter dem Einfluss von Drogen, Alkohol oder Medikamenten stehen. Ein Moment der Unachtsamkeit beim Gebrauch des Elektrowerkzeuges kann zu ernsthaften Verletzungen führen.
- Tragen Sie persönliche Schutzausrüstung und immer eine Schutzbrille. Das Tragen persönlicher Schutzausrüstung, wie Staubmaske, rutschfeste Sicherheitsschuhe, Schutzhelm oder Gehörschutz, je nach Art und Einsatz des Elektrowerkzeuges, verringert das Risiko von Verletzungen.
- Vermeiden Sie eine unbeabsichtigte Inbetriebnahme. Vergewissern Sie sich, dass das Elektrowerkzeug ausgeschaltet ist, bevor Sie es an die Stromversorgung und/oder den Akku anschließen, es aufnehmen oder tragen. Wenn Sie beim Tragen des Elektrowerkzeuges den Fingern am Schalter haben oder das Gerät eingeschaltet an die Stromversorgung anschließen, kann dies zu Unfällen führen.
- Entfernen Sie Einstellwerkzeuge oder Schraubenschlüssel, bevor Sie das Elektrowerkzeug einschalten. Ein Werkzeug oder Schlüssel, der sich in einem drehenden Geräteteil befindet, kann zu Verletzungen führen.
- Vermeiden Sie eine abnormale Körperhaltung. Sorgen Sie für einen sicheren Stand und halten Sie jederzeit das Gleichgewicht. Dadurch können Sie das Elektrowerkzeug in unerwarteten Situationen besser kontrollieren.
- Tragen Sie geeignete Kleidung. Tragen Sie keine locker sitzende Kleidung oder Schmuck. Halten Sie Haare, Kleidung und Handschuhe fern von sich bewegenden Teilen. Lockere Kleidung, Schmuck oder lange Haare können von sich bewegenden Teilen erfasst werden.



EN
FR
<b>DE</b>
ES
IT
NL
PT
DA
SV
FI
NO
RU
PL
CS
HU
RO
LV
LT
ET
HR
SL
SK
BG
UK
TR

- Wenn Staubabsaug- und -auffangeinrichtungen montiert werden können, vergewissern Sie sich, dass diese angeschlossen sind und richtig verwendet werden. Verwendung einer Staubabsaugung kann Gefährdungen durch Staub verringern.

#### Verwendung und Behandlung des Elektrowerkzeuges

- Überlasten Sie das Gerät nicht. Verwenden Sie für Ihre Arbeit das dafür bestimmte Elektrowerkzeug. Mit dem passenden Elektrowerkzeug arbeiten Sie besser und sicherer im angegebenen Leistungsbereich.
- Benutzen Sie kein Elektrowerkzeug, dessen Schalter defekt ist. Ein Elektrowerkzeug, das sich nicht mehr ein- oder ausschalten lässt, ist gefährlich und muss repariert werden.
- Ziehen Sie den Stecker aus der Steckdose und/oder entfernen Sie den Akku, bevor Sie Geräteeinstellungen vornehmen, Zubehörteile wechseln oder das Gerät weglegen. Diese Vorsichtsmaßnahme verhindert den unbeabsichtigten Start des Elektrowerkzeuges.
- Bewahren Sie unbenutzte Elektrowerkzeuge außerhalb der Reichweite von Kindern auf. Lassen Sie Personen das Gerät nicht benutzen, die mit diesem nicht vertraut sind oder diese Anweisungen nicht gelesen haben. Elektrowerkzeuge sind gefährlich, wenn sie von unerfahrenen Personen benutzt werden
- Pflegen Sie Elektrowerkzeuge mit Sorgfalt. Kontrollieren Sie, ob bewegliche Teile einwandfrei funktionieren und nicht klemmen, ob Teile gebrochen oder so beschädigt sind, dass die Funktion des Elektrowerkzeuges beeinträchtigt ist. Lassen Sie beschädigte Teile vor dem Einsatz des Gerätes reparieren. Viele Unfälle haben ihre Ursache in schlecht gewarteten Elektrowerkzeugen.
- Halten Sie Schneidwerkzeuge scharf und sauber. Sorgfältig gepflegte Schneidwerkzeuge mit scharfen Schneidkanten verkleben sich weniger und sind leichter zu führen.
- Verwenden Sie Elektrowerkzeug, Zubehör, Einsatzwerkzeuge usw. entsprechend diesen Anweisungen. Berücksichtigen Sie dabei die Arbeitsbedingungen und die auszuführende Tätigkeit. Der Gebrauch von Elektrowerkzeugen für andere als die vorgesehenen Anwendungen kann zu gefährlichen Situationen führen.

#### Verwendung und Behandlung des Akkuwerkzeuges

- Laden Sie die Akkus nur in Ladegeräten auf, die vom Hersteller empfohlen werden. Für ein Ladegerät, das für eine bestimmte Art von Akkus geeignet ist, besteht Brandgefahr, wenn es mit anderen Akkus verwendet wird.
- Verwenden Sie nur die dafür vorgesehenen Akkus in den Elektrowerkzeugen. Der Gebrauch von anderen Akkus kann zu Verletzungen und Brandgefahr führen.
- Halten Sie den nicht benutzten Akku fern von Büroklammern, Münzen, Schlüsseln,

Nägeln, Schrauben oder anderen kleinen Metallgegenständen, die eine Überbrückung der Kontakte verursachen könnten. Ein Kurzschluss zwischen den Akkukontakten kann Verbrennungen oder Feuer zur Folge haben.

- Bei falscher Anwendung kann Flüssigkeit aus dem Akku austreten; vermeiden Sie den Kontakt damit. Bei zufälligem Kontakt mit Wasser abspülen. Wenn die Flüssigkeit in die Augen kommt, nehmen Sie zusätzlich ärztliche Hilfe in Anspruch. Austretende Akkufflüssigkeit kann zu Hautreizungen oder Verbrennungen führen.

#### Service

- Lassen Sie Ihr Elektrowerkzeug nur von qualifiziertem Fachpersonal und nur mit Original-Ersatzteilen reparieren. Damit wird sichergestellt, dass die Sicherheit des Elektrowerkzeuges erhalten bleibt.

### SICHERHEITSHINWEISE FÜR GRAS-/ STRAUCHSCHERE

#### ⚠ WARNUNG

Das Schneidwerk läuft bei abgeschaltetem Motor nach.

#### UNTERWEISUNG

- Lesen Sie die Anweisungen sorgfältig durch. Machen Sie sich mit den Bedienelementen und dem ordnungsgemäßen Gebrauch des Produktes vertraut.
- Lassen Sie niemals Kinder, Personen mit eingeschränkter körperlicher, sensorischer oder mentaler Fähigkeiten oder mangelnder Erfahrung und Wissen oder Personen die mit diesen Anweisungen nicht vertraut sind, das Produkt benutzen. Die lokale Gesetzgebung regelt das Mindestalter des Benutzers.
- Vergessen Sie nie, dass der Benutzer verantwortlich ist für Unfälle und Gefahren die an Eigentum Fremder oder an anderen Personen entstehen könnte.

#### VORBEREITUNG

- Untersuchen Sie das Produkt vor jeder Benutzung. Ersetzen Sie jegliche beschädigten Teile.
- Räumen Sie den Schnittbereich vor jedem Einsatz frei. Entfernen Sie alle Gegenstände, wie Kabel, Lampen, Draht oder Schnur, die geschleudert werden könnten oder in der Schneidwerk verwickelt werden könnten.
- Benutzen Sie nicht das Werkzeug, wenn andere Personen, insbesondere Kinder, in der Nähe sind.
- Ersetzen Sie die Schneidmesser oder andere Teile, wenn sie gerissen, angeschlagen oder beschädigt sind. Stellen Sie sicher, dass das Schneidwerk ordnungsgemäß montiert und sicher befestigt ist. Nichtbefolgung kann zu Körperverletzungen des Benutzers oder von Zuschauern führen, sowie das Gerät beschädigen.
- Benutzen Sie das Produkt nicht, wenn der "Aus"-Schalter den Motor nicht stoppt. Ein Produkt, das sich



nicht mehr ein- oder ausschalten lässt, ist gefährlich und muss repariert werden.

- Gewöhnen Sie sich an, noch einmal nachzuprüfen, ob alle Schraub- und Einstellschlüssel vom Produkt entfernt worden sind, ehe Sie es einschalten.

## BETRIEB

- Tragen Sie stets eine Schutzbrille, festes Schuhwerk und Kleidung, wenn Sie das Produkt verwenden, um die Verletzungsgefahr zu verringern.
- Tragen Sie geeignete Kleidung. Tragen Sie keine lockeren Kleidungs- oder Schmuckstücke, die sich in den beweglichen Teilen verfangen könnten. Für die Arbeit im Freien empfehlen sich festes Schuhwerk und lange Hosen.
- Vermeiden Sie es das Produkt bei schlechtem Wetter zu benutzen, besonders bei Gefahr von Blitzschlag.
- Schalten Sie das Gartengerät erst ein, wenn Ihre Hände und Füße ausreichend weit von den Schneidmessern entfernt sind.
- Beugen Sie Verletzungen an Händen und Füßen durch das Schneidwerk vor.
- Beachten Sie jederzeit Ihre Umgebung und achten Sie auf mögliche Gefahren, die Sie eventuell aufgrund des Lärms der Maschine nicht hören können.
- Versuchen Sie niemals ein unvollständiges, oder mit unautorisierten Modifikationen ausgestattetes Produkt zu benutzen.

## SICHERHEITSHINWEISE FÜR HECKENSCHEREN

- **Halten Sie alle Körperteile von dem Schneidmesser fern. Versuchen Sie nicht, bei laufendem Messer Schnittgut zu entfernen oder zu schneidendes Material festzuhalten. Entfernen Sie bei eingeklemmtes Schnittgut nur bei ausgeschaltetem Gerät.** Ein Moment der Unachtsamkeit bei der Benutzung einer Heckenschere kann zu schweren Verletzungen führen.
- **Tragen Sie die Heckenschere am Griff bei stillstehendem Messer. Bei Transport oder Aufbewahrung der Heckenschere stets die Schutzabdeckung aufziehen.** Sorgfältiger Umgang mit dem Gerät verringert die Verletzungsgefahr durch das Messer.
- **Halten Sie das Elektrowerkzeug an den isolierten Griffflächen, da das Schneidmesser in Berührung mit verborgenen Stromleitungen kommen kann.** Der Kontakt des Schneidmessers mit einer spannungsführenden Leitung kann metallne Geräteteile unter Spannung setzen und zu einem elektrischen Schlag führen.
- **Halten Sie das Kabel vom Schneidbereich fern.** Während des Arbeitsvorgangs kann das Kabel im Gebüsch verdeckt sein und versehentlich durchtrennt werden.
- Überprüfen Sie die Hecke auf Fremdkörper, wie Drahtzäune.

## ZUSÄTZLICHE SICHERHEITSWARNUNGEN

- Um eine unbeabsichtigte Inbetriebnahmen zu vermeiden, tragen Sie das Produkt nie mit dem Finger am An-Schalter.
- Tragen Sie dicke, lange Hosen, festes Schuhwerk und gut sitzende Handschuhe. Keinen Schmuck, kurze Hosen, Sandalen tragen oder barfuß arbeiten.
- Vergewissern Sie sich, dass das Gerät ausgeschaltet ist, ehe Sie den Akku einlegen. Das Einlegen des Akkus in das eingeschaltete Gerät kann zu Unfällen führen.
- Nicht bei schlechter Beleuchtung verwenden. Benutzen Sie das Produkt nur bei Tageslicht oder bei guter künstlicher Beleuchtung.
- Sorgen Sie für einen sicheren Stand und halten Sie das Gleichgewicht. Vermeiden Sie eine abnormale Körperhaltung. Eine abnormale Körperhaltung kann zu Gleichgewichtsverlust führen. Achten Sie bei der Arbeit an Hängen auf einen festen Stand. Gehen sie immer, laufen sie nie.
- Betätigen Sie das Produkt nicht mit Gewalt. Es wird die Arbeit mit der Geschwindigkeit, für die es ausgelegt wurde, besser und sicherer erledigen.
- Vergewissern Sie sich vor dem Starten des Produkts, dass das Schneidmesser mit nichts in Kontakt geraten können. Sollte die Schneidvorrichtung gegen einen Fremdkörper schlagen oder sich verwickeln, so schalten Sie das Produkt sofort aus, entfernen Sie den Akku und prüfen Sie es auf Schäden. Arbeiten Sie nicht mit dem Werkzeug, falls Teile lose oder beschädigt sein sollten.
- Prüfen Sie, ob Teile beschädigt sind, eine Fehlausrichtung vorliegt oder (bewegliche) Teile feststecken oder ob andere Bedingungen vorliegen, die den Betrieb beeinträchtigen könnten. Ehe Sie das Produkt weiter verwenden, sollten andere Teile, die beschädigt wurden, sorgfältig geprüft werden, um sicherzustellen, dass es ordnungsgemäß funktioniert und die vorgesehene Funktion ausführen kann. Jeder Schaden sollte durch den autorisierten Kundendienst ordnungsgemäß repariert oder ausgetauscht werden.
- Um das Risiko von Verletzungen durch Kontakt mit beweglichen Teilen zu verringern, schalten Sie das Gerät immer aus und entfernen Sie den Akku, stellen Sie sicher, dass alle beweglichen Teile zum Stillstand gekommen sind, und lassen Sie das Gerät abkühlen:
  - bevor Sie das Produkt unbeaufsichtigt zurücklassen
  - bevor Sie Blockierungen entfernen
  - Bevor Sie das Produkt prüfen, reinigen oder daran arbeiten,
  - das Produkt inspizieren, nachdem Sie gegen einen Fremdkörper gestoßen sind
  - Wenn das Produkt anfängt, ungewöhnlich zu vibrieren
- Halten Sie Ihre Hände von den Schneidmessern fern. Versuchen Sie nicht, bei laufendem Messer Schnittgut zu entfernen oder zu schneidendes Material festzuhalten. Vergewissern Sie sich, dass der Akku entfernt wurde und das Gerät ausgeschaltet ist, wenn Sie verklemmtes Material von der Schneidvorrichtung entfernen. Fassen Sie die freiliegenden Schneidmesser





nicht an, wenn Sie das Gerät aufheben oder tragen.

- Halten Sie einen sicheren Abstand zwischen Händen, Gesicht und Füßen und den beweglichen Teilen. Berühren Sie die Schneidmesser nicht, während sie sich bewegen, und versuchen Sie nicht, sie anzuhalten.
- Schalten Sie den Motor immer ab, wenn Sie den Schneidvorgang unterbrechen oder von einem Einsatzort zum anderen laufen.
- Halten Sie das Gerät sauber von Schnittgut und anderem Material. Es könnte in den Schneidmessern eingeklemmt werden.
- Setzen Sie immer den Schneidwerkschutz auf, wenn das Produkt nicht benutzt wird.
- Begießen oder besprühen Sie das Produkt niemals mit Wasser oder einer anderen Flüssigkeit. Halten Sie die Griffe trocken, sauber und frei von Ablagerungen.

### TRANSPORT UND LAGERUNG

- Betreiben Sie das Gerät niemals mit defekten Schutzvorrichtungen oder Abschirmungen oder ohne montierte Sicherheitsvorrichtungen.
- Im Falle eines Unfalls oder einer Betriebsstörung schalten Sie sofort das Gerät aus und entfernen Sie den Akku. Das Produkt darf nicht wieder in Betrieb genommen werden, bis es vollständig von einem autorisierten Kundendienst überprüft wurde.
- Wenn Sie das Produkt transportieren oder lagern, so bringen Sie stets den Schneidwerkschutz an.
- Reinigen Sie das Produkt gründlich, ehe Sie es zur Lagerung verstauen. Lagern Sie das Produkt an einem trockenen und gut belüfteten Ort, der Kindern keinen Zugang bietet. Von korrodierend wirkenden Stoffen, wie Gartenchemikalien und Enteisungssalzen, fernhalten.
- Lagern und laden Sie die Akkus in einer kühlen Umgebung. Temperaturen über oder unter der üblichen Zimmertemperatur verkürzen die Lebensdauer der Akkus.
- Lagern Sie die Akkus niemals im entladenen Zustand. Warten Sie, bis der Akku sich abgekühlt hat, und laden Sie ihn dann unverzüglich.
- Sichern Sie das Produkt beim Transport in einem Fahrzeug gegen Bewegung oder Herunterfallen, um Verletzungen und Beschädigung des Produkts zu verhindern.

### TRANSPORT VON LITHIUM-IONEN-AKKUS

Transportieren Sie Akkus gemäß Ihren örtlichen und nationalen Bestimmungen und Regeln.

Befolgen Sie alle besonderen Anforderungen für Verpackung und Beschriftung, wenn Sie Akkus von Dritten transportieren lassen. Stellen Sie sicher, dass beim Transport kein Akku in Kontakt mit anderen Akkus oder leitenden Materialien kommt, indem Sie die freien Anschlüsse mit Isolierband, nichtleitenden Kappen oder Klebeband schützen. Beschädigte oder auslaufende Akkus dürfen nicht transportiert werden. Weitere Informationen erhalten Sie bei Ihrem Transportunternehmen.

## WARTUNG UND PFLEGE

### ⚠️ WARNUNG

Verwenden Sie ausschließlich original Ersatzteile, Zubehör und Aufsätze des Herstellers. Nichtbefolgung kann mögliche Verletzungen oder schlechte Leistung verursachen und Ihre Garantie ungültig machen.

### ⚠️ WARNUNG

Service und Wartung des Gerätes erfordert besonderen Sorgfalt und Kenntnisstand und sollte nur durch qualifiziertes Personal durchgeführt werden. Bringen Sie das Produkt zur Wartung zu einem autorisierten Kundendienst. Beim Service sollten Sie nur originale Ersatzteile benutzen.

- Verwenden Sie bei der Wartung des Schneidwerkszeugs Schutzhandschuhe.
- Pflegen das Produkt sorgfältig. Halten Sie die Schneidmesser scharf und sauber, um die beste Leistung zu erzielen und das Verletzungsrisiko zu senken. Befolgen Sie die Anweisungen zum Ölen und dem Austausch von Zubehörteilen. Halten Sie die Griffe trocken, sauber und frei von Öl und Schmierstoffen.
- Schalten Sie das Gerät aus und entfernen Sie den Akku vor der Durchführung von Wartungs- oder Reinigungsarbeiten.
- Reinigen Sie das Gehäuse und die Griffe nach jeder Benutzung des Produktes mit einem weichen, trockenen Lappen.
- Reinigen Sie nach jeder Benutzung das Schneidwerkzeug von Schmutz mit einer harten Bürste und tragen dann vorsichtig ein Öl als Rostschutz auf, bevor Sie den Schneidwerkschutz wieder anbringen. Benutzen Sie das empfohlene Spray als Rostschutz und zum Ölen, um eine gleichmäßige Verteilung zu gewährleisten und die Gefahr einer Verletzung durch Berührung des Schneidwerkzeugs zu verringern. Fragen Sie Ihren autorisierten Kundendienst nach ein geeignetes Spray-Produkt.
- Vermeiden Sie beim Reinigen der Plastikteile den Einsatz von Lösungsmitteln. Die meisten Plastikteile können durch den Gebrauch der handelsüblichen Solventien beschädigt werden, was sich auch auf ihre Leistung auswirken kann. Verwenden Sie saubere Tücher um Verunreinigungen wie Staub, Öl, Schmierstoffe usw. zu entfernen.
- Stellen Sie immer sicher, dass die Belüftungsöffnungen frei von Ablagerungen gehalten werden.
- Überprüfen Sie das Schneidwerkzeug regelmäßig auf Beschädigung und Abnutzung.
- Verwenden Sie immer die vom Hersteller vorgeschriebenen Ersatzmesser.
- Für einen einfacheren Betrieb und eine längere Lebensdauer des Schneidmessers, fetten Sie die Schneidmesser vor und nach jeder Anwendung ein. Entfernen Sie vor dem Einfetten den Akku und legen Sie die Klingen auf eine flache Unterlage. Tragen Sie

EN

FR

DE

ES

IT

NL

PT

DA

SV

FI

NO

RU

PL

CS

HU

RO

LV

LT

ET

HR

SL

SK

BG

UK

TR



ein leichtes Maschinenöl entlang der oberen Kante des Messers auf. Tragen Sie kein Öl auf, während das Produkt sich im Betrieb befindet.

## RESTRISIKEN

Sogar wenn das Produkt wie vorgeschrieben benutzt wird, ist es unmöglich ein gewisses Restrisiko vollständig zu beseitigen. Die folgenden Gefahren können bei der Benutzung entstehen, und der Benutzer sollte besonders auf folgende Punkte achten:

- Durch Vibrationen verursachte Verletzungen.
  - Halten Sie das Produkt an den dafür vorgesehenen Griffen und schränken Sie die Arbeitszeit und Belastung ein.
- Lärm kann zu Gehörschaden führen.
  - Tragen Sie einen Gehörschutz und schränken Sie die Belastung ein.
- Verletzungen durch Kontakt mit den Messern
  - Die Schneidwerkzeuge können beim Schneiden nicht geschützt werden. Halten Sie die Schneidwerkzeuge fern von Ihnen und anderen. Setzen Sie immer den Schneidwerkschutz auf, wenn das Produkt nicht benutzt wird.

## RISIKOVERRINGERUNG

Vibrationen von in der Hand gehaltenen Werkzeugen können bei einigen Personen zu einem Zustand, der Raynaud-Syndrom genannt wird, führen. Symptome sind u.a. Kribbeln, Taubheitsgefühl und episodische Weißfärbung der Finger und treten normalerweise bei Kälte auf. Man geht davon aus, dass ererbte Faktoren, Kälte und Feuchtigkeit, Essgewohnheiten, Rauchen und Arbeitsweise zur Entwicklung dieser Symptome beitragen. Der Anwender kann Maßnahmen ergreifen, um die Auswirkungen der Vibrationen möglicherweise zu verringern:

- Halten Sie den Körper bei Kälte warm. Tragen Sie beim Betrieb des Produkts Handschuhe, um Hände und Handgelenke warm zu halten. Berichten zu Folge ist kaltes Wetter ein wesentlicher Faktor, der zum Raynaud Syndrom beiträgt.
- Betätigen Sie sich nach jedem Einsatz körperlich, um den Blutkreislauf zu steigern.
- Machen Sie regelmäßig Pausen. Beschränken Sie die Beanspruchung pro Tag.
- Sollten bei Ihnen Symptome dieses Zustands auftreten, stellen Sie unverzüglich den Betrieb ein und suchen Sie in Hinsicht auf die Symptome einen Arzt auf.

## ⚠️ WARNUNG

Verletzungen können durch lange Benutzung eines Werkzeugs entstehen oder verschlimmert werden. Machen Sie regelmäßig Pause, wenn Sie ein Werkzeug für lange Zeit benutzen.

## MACHEN SIE SICH MIT IHREM PRODUKT VERTRAUT

Siehe Seite 139.

1. Hinterer Haltegriff
2. Verriegelung Ein-/Ausschalter
3. Ein-/Ausschalter
4. Grasscheren-Schneidmesser
5. Grasscheren-Schutzabdeckung
6. Strauchscheren-Schneidmesser
7. Strauchscheren-Schutzabdeckung
8. Akku
9. Knopf der Akkulasche
10. Ladegerät
11. Befestigungsknopf Schneidmesser
12. Schneidmesser-Aufnahme
13. Gummi-Abdeckung Anschluss Teleskopstiel

## SYMBOLS AUF DEM PRODUKT



Sicherheitswarnung



Lesen und verstehen Sie alle Anweisungen, bevor Sie das Produkt benutzen, befolgen Sie alle Warnungen und Sicherheitsanweisungen.



Tragen Sie einen Augenschutz



Tragen Sie einen Gehörschutz



Tragen Sie rutschfeste, strapazierfähige Schutzhandschuhe.



Nicht Regen oder feuchten Bedingungen aussetzen.



Berühren Sie zur Vermeidung von Verletzungen nicht die Schneidmesser.



Achten Sie auf geschleuderte oder fliegende Objekte. Halten Sie alle Zuschauer, besonders Kinder und Haustiere, mindestens 15 m von dem Arbeitsbereich fern.



## SYMBOLE IN DIESER BETRIEBSANLEITUNG



Achtung: Schneidwerk läuft bei abgeschaltetem Motor nach.



Elektrische Geräte sollten nicht mit dem übrigen Müll entsorgt werden. Bitte entsorgen Sie diese an den entsprechenden Entsorgungsstellen. Wenden Sie sich an die örtliche Behörde oder Ihren Händler, um Auskunft über die Entsorgung zu erhalten.



Dieses Gerät entspricht allen gesetzlichen Normen des Landes der europäischen Union, in dem es gekauft wurde.



EurAsian Konformitätszeichen



Ukrainisches Prüfzeichen



Der auf diesem Etikett angegebene garantierte Schalldruckpegel beträgt 86 dB.



Teile oder Zubehör getrennt erhältlich



Hinweis



Warnung

Mit den folgenden Symbolen wird die Bedeutung der verschiedenen Risikostufen, die mit dem Produkt einhergehen, dargestellt.

### **GEFAHR**

Weist auf eine unmittelbare gefährliche Situation hin, die, falls nicht vermieden, zu Tod oder ernsthafter Verletzung führen kann.

### **WARNUNG**

Weist auf eine mögliche gefährliche Situation hin, die, falls nicht vermieden, zu Tod oder ernsthafter Verletzung führen kann.

### **VORSICHT**

Weist auf eine mögliche gefährliche Situation hin, die, falls nicht vermieden, zu einer leichten oder mittleren Verletzung führen kann.

### **VORSICHT**

Ohne Sicherheitswarnsymbol

Weist auf eine Situation hin, die zu Sachbeschädigungen führen kann.



Seguridad, desempeño y fiabilidad son las prioridades en el diseño de sus tijeras cortacésped/arreglasetos inalámbrico.

### USO PREVISTO

La cizalla para césped/desbrozadora sin cables está destinada exclusivamente a uso en zonas exteriores bien ventiladas.

El producto está diseñado para uso doméstico.

Cuando se usa con un accesorio de cizalla, el producto está concebido para poda ligera de césped y hierbas.

Cuando se usa con un accesorio de desbrozadora, el producto está concebido para poda ligera de matas, setos y arbustos.

No la use para ninguna otra finalidad.

### ALERTA DE SEGURIDAD GENERAL

#### ⚠ ADVERTENCIA

Lea todas las advertencias de peligro e instrucciones. El incumplimiento de las advertencias e instrucciones puede provocar descargas eléctricas, incendios y/o lesiones graves.

Conserve estas advertencias e instrucciones para poder consultarlas posteriormente.

El término "herramienta eléctrica" que aparece en las advertencias se refiere a su herramienta eléctrica (con cable) o con batería (sin cables).

#### Zona de trabajo

- **Mantenga el área de trabajo limpia y bien iluminada.** Las zonas oscuras o poco despejadas pueden provocar accidentes.
- **No utilice herramientas eléctricas en entornos inflamables, como puede ser en presencia de líquidos inflamables, gases o polvo.** Las herramientas eléctricas crean chispas que pueden inflamar el polvo o el humo.
- **Mantenga a los niños y personas ajenas alejadas de la zona en la que está utilizando la herramienta eléctrica.** Las distracciones pueden hacer que pierda el control de la herramienta.

#### Seguridad eléctrica

- **Las conexiones de la herramienta eléctrica deben corresponder a los de la toma de corriente. No modifique el enchufe de ninguna manera. No utilice ningún adaptador con herramientas eléctricas conectadas a tierra.** Utilizar enchufes sin modificar y tomas correspondientes reducirán el riesgo de descargas eléctricas.
- **Evite el contacto corporal con superficies conectadas a tierra, como tuberías, radiadores, estufas y refrigeradores.** Existe un mayor riesgo de descargas eléctricas si su cuerpo está conectado a tierra.
- **No exponga este producto a la lluvia o humedad.** Si entra agua en una herramienta eléctrica podría

aumentar el riesgo de descargas eléctricas.

- **Utilice correctamente el cable. No utilice el cable para llevar, tirar o desconectar el cable de la herramienta. Mantenga el cable lejos del calor, aceite, bordes afilados o partes móviles.** Los cables dañados o enredados aumentan el riesgo de descargas eléctricas.
- **A la hora de utilizar herramientas eléctricas al aire libre, utilice un alargador adecuado para uso en exteriores.** El uso de un cable adecuado para uso en exteriores reduce el riesgo de descargas eléctricas.
- **Si es inevitable utilizar una herramienta eléctrica en un lugar húmedo, utilice un dispositivo de corriente residual (RCD) como protección.** El uso de un RCD reduce el riesgo de descargas eléctricas.

#### Seguridad personal

- **Manténgase alerta y atento a lo que está haciendo y utilice el sentido común al utilizar una herramienta eléctrica. No utilice una herramienta eléctrica cuando esté cansado o bajo la influencia de drogas, alcohol o medicamentos.** En un momento de descuido, mientras utiliza herramientas eléctricas podrían ocurrir lesiones personales graves.
- **Utilice un equipo de protección personal. Utilice siempre dispositivos de protección ocular.** El equipo de protección como las máscaras de polvo, calzado antideslizante de seguridad, cascos rígidos o unas condiciones adecuadas reducirán los daños corporales.
- **Evite la puesta en marcha accidental de la herramienta. Asegúrese de que el interruptor está en posición OFF antes de conectar la herramienta a una toma de corriente y/o batería, y levantar o transportar la herramienta.** El transporte de herramientas con el dedo sobre el interruptor o la conexión de herramientas eléctricas con el interruptor en ON puede causar accidentes.
- **Extraiga cualquier llave de ajuste antes de encender la herramienta eléctrica.** Una llave que se encuentra conectada a una pieza de rotación puede resultar en lesiones personales.
- **No se extienda demasiado. Afírmese bien en sus piernas y no extienda demasiado el brazo.** Esto permite un mejor control de la herramienta eléctrica en situaciones inesperadas.
- **Lleve ropa adecuada. No use ropa holgada o joyas.** Mantenga su cabello, ropa y guantes lejos de las piezas móviles. La ropa suelta, joyas o el cabello largo pueden quedar atrapados en las piezas móviles.
- **Si existen dispositivos para la conexión de accesorios de recogida y extracción de polvo, asegúrese de que están conectados y que se utilizan adecuadamente.** El uso de accesorios de recogida de polvo puede reducir riesgos relacionados con el polvo.

#### Uso y cuidado de la herramienta eléctrica

- **No fuerce el producto. Utilice la herramienta correcta para su aplicación.** La herramienta correcta hará un trabajo más seguro y mejor para el que ha sido



diseñada.

- **No utilice la herramienta eléctrica si el interruptor de encendido no responde.** Cualquier herramienta que no puede ser controlada con el interruptor de encendido es peligrosa y debe ser reparada.
- **Desconecte el enchufe de la fuente de alimentación y/o extraiga la batería de la herramienta eléctrica antes de hacer cualquier ajuste, cambiar accesorios o almacenar herramientas eléctricas.** Estas medidas preventivas de seguridad reducen el riesgo de arranque accidental de la herramienta.
- **Coloque las herramientas eléctricas a talentí fuera del alcance de los niños y no permita que personas no familiarizadas con la herramienta o con estas instrucciones la utilicen.** Las herramientas eléctricas son peligrosas en manos de personas no capacitadas.
- **Realice labores de mantenimiento de las herramientas eléctricas. Compruebe la alineación o unión de las piezas móviles, si existe rotura de piezas o cualquier otro problema que pueda afectar al funcionamiento de la herramienta. Si alguna pieza está dañada, la herramienta eléctrica debería repararse antes de volver a utilizarla.** Muchos accidentes son causados por un mantenimiento deficiente.
- **Mantenga las herramientas de corte bien afiladas y limpias.** Las herramientas de corte con bordes de corte afilados que tienen un mantenimiento adecuado reducen su deterioro y son más fáciles de controlar.
- **Utilice la herramienta, accesorios, partes eléctricas, etc., de acuerdo con estas instrucciones, teniendo en cuenta las condiciones de trabajo y el trabajo que se va a realizar.** Utilizar la herramienta eléctrica para realizar trabajos diferentes a los que esta herramienta está destinada podría dar como resultado una situación peligrosa.

#### Uso y cuidado de la herramienta

- **Recargue la unidad solamente con el cargador especificado por el fabricante.** Podría haber un riesgo de incendio cuando se utilice un cargador con una batería para la que no está diseñado.
- **Utilice sólo herramientas eléctricas específicamente diseñadas para ellos.** Utilizar cualquier otro tipo de baterías puede causar lesiones o un riesgo de incendio.
- **Cuando la batería no está en uso, manténgala alejada de otros objetos metálicos como clips, monedas, llaves, clavos, tornillos u otros objetos metálicos pequeños que puedan crear una conexión desde una terminal a otra.** Causar un cortocircuito en los terminales de la batería puede causar quemaduras o un incendio.
- **En condiciones abusivas, podría salir expulsado líquido de la batería, por lo que debería evitar el contacto con éste. Si se produce un contacto accidental, enjuáguese las manos con agua. Si el líquido entra en contacto con los ojos, acuda inmediatamente al médico.** Si el líquido es expulsado de la batería y entra en contacto con él, podría causar irritación o quemaduras.

#### Mantenimiento

- **Su herramienta eléctrica debería ser reparada por personas calificadas, que deberían utilizar únicamente piezas de repuesto idénticas.** Esto garantizará la seguridad a la hora de utilizar la herramienta eléctrica.

### ADVERTENCIAS DE SEGURIDAD DE CIZALLA PARA CÉSPED/DESBROZADORA

#### ADVERTENCIA

El aparato de corte sigue girando después de apagar el motor.

#### APRENDIZAJE

- Lea las instrucciones cuidadosamente. Familiarícese con los controles y el uso adecuado del producto.
- Nunca deje que utilicen este aparato niños, personas con capacidad física, sensorial o mental reducida, personas sin experiencia ni conocimientos ni personas que no estén familiarizadas con estas instrucciones. Las regulaciones locales pueden restringir la edad del operario.
- Tenga presente que el operario o usuario es responsable de los accidentes o riesgos que le puedan ocurrir a otras personas o a su propiedad.

#### PREPARACIÓN

- Inspeccione el aparato antes de su uso. Reemplace las piezas dañadas.
- Despeje el área que va a cortar antes de cada uso. Retire todos los objetos, cables, luces, alambres o cadenas que puedan lanzar o engancharse en las partes cortantes.
- No haga funcionar la máquina mientras haya cerca personas, especialmente niños, o animales.
- Reemplace las cuchillas de corte o cualquier otra pieza que estén agrietadas, astilladas o dañadas. Asegúrese de que el aparato de corte está instalado correctamente y bien ajustado. No seguir correctamente estas instrucciones puede ocasionar lesiones personales al operador y los transeúntes así como daños a la unidad.
- No utilice el aparato en caso de que el interruptor no encienda ni apague el aparato. Cualquier producto que no puede ser controlada con el interruptor de encendido es peligroso y debe ser reparado.
- Hábituese a comprobar que las llaves y las llaves de ajuste se han retirado del producto antes de encenderlo.

#### UTILIZACIÓN

- Para reducir el riesgo de lesión, use siempre protección ocular completa, calzado y ropa al usar el producto.
- Lleve ropa adecuada. No use ropa ni joyas sueltas que puedan quedar atrapadas en las piezas móviles. Se recomienda el uso de guantes, calzado sólido y pantalones largos al trabajar en el exterior.
- Evite utilizar el aparato en malas condiciones atmosféricas, especialmente cuando haya riesgo de



relámpago.

- Encienda el motor solo cuando las manos y los pies estén alejados del aparato de corte.
- Tenga cuidado de no lesionarse los pies y las manos con el aparato de corte.
- Sea siempre consciente de sus alrededores y preste atención ante los posibles peligros que puede no oír debido al ruido de la máquina.
- Nunca intente utilizar un producto incompleto o uno equipado con una modificación no autorizada.

## ADVERTENCIAS DE SEGURIDAD DEL CORTASETOS

- **Mantenga todas las partes del cuerpo alejadas de la cuchilla. No extraiga material de corte ni sujete el material que va a cortar cuando las cuchillas estén en movimiento. Asegúrese de que el interruptor está apagado cuando limpie cualquier material atascado.** En un momento de descuido, mientras utiliza el producto podrían ocurrir lesiones personales graves.
- **Lleve el cortasetos por el mango con la cuchilla de corte parada. Al transportar o almacenar el cortasetos, coloque siempre la tapa del dispositivo de corte.** El manejo adecuado del cortasetos reducirá posibles lesiones personales debido a las cuchillas.
- **Sostenga la herramienta sólo por las superficies de agarre, ya que la cuchilla corte puede entrar en contacto con el cableado oculto o su propio cable.** Las cuchillas en contacto con un cable con corriente pueden dejar expuestas las partes metálicas de la herramienta conectada, lo que podría provocar una descarga eléctrica al operario.
- **Mantenga el cable fuera de la zona de corte.** Durante la operación, el cable puede estar oculto en los arbustos, lo que podría provocar que la cuchilla lo cortase de forma accidental.
- Compruebe que no hay objetos extraños en el seto, como alambradas.

## AVISOS DE SEGURIDAD ADICIONALES

- Para evitar un arranque accidental, nunca transporte el producto con el dedo en el gatillo.
- Use pantalones fuertes y largos, calzado sólido y guantes a su medida. No use pantalones cortos ni sandalias, ni vaya descalzo.
- Asegúrese de que el interruptor esté en posición de apagado antes de insertar el paquete de baterías. Insertar el paquete de baterías en el producto con el interruptor encendido puede provocar accidentes.
- No trabaje con esta herramienta en una zona mal iluminada. Use el producto de día o bajo luz artificial bien iluminada.
- Mantenga su pisada firme y su equilibrio. No se extienda demasiado. Si lo hace, podrá perder el equilibrio. Asegúrese siempre de mantener el equilibrio y de no situarse en pendientes. Camine, nunca corra.
- No fuerce el producto. Realizará un trabajo mejor y más seguro a la velocidad para la que ha sido diseñada.

- Antes de arrancar el producto, asegúrese de que el aparato de corte no entre en contacto con nada. Si el aparato de corte golpe o se enreda en objetos extraños, detenga el producto inmediatamente, extraiga el paquete de baterías y compruebe si hay daños. No haga funcionar la unidad con piezas sueltas o dañadas.
- Compruebe si hay piezas dañadas, piezas móviles desalineadas, anejaciones de piezas móviles y cualquier otra circunstancia que pudiera afectar al funcionamiento. Antes de volver a usar el producto, debe comprobarse minuciosamente otras piezas dañadas para determinar si funcionará correctamente y realizará su función prevista. Cualquier pieza dañada deberá repararse o sustituirse oportunamente por un centro de servicio autorizado.
- Para reducir el riesgo de lesión asociados con piezas móviles de contacto, detenga siempre el producto, retire el paquete de baterías, asegúrese de que todas las piezas móviles se han parado y deje que el producto se enfríe antes de:
  - siempre que deje el aparato sin vigilancia
  - antes de desbloquear la unidad
  - antes de inspeccionar, limpiar o trabajar con el producto
  - inspeccionar el producto después de golpear un objeto extraño
  - si el producto empieza a vibrar de forma anormal
- Mantenga las manos alejadas de las hojas. No extraiga material de corte ni sujete el material que va a cortar cuando las cuchillas estén en movimiento. Asegúrese de extraer el paquete de baterías y de soltar el gatillo al limpiar material atascado en el aparato de corte. No toque las hojas de corte expuestas ni los fillos al levantar o sujetar la unidad principal.
- mantenga las manos, cara y pies a una distancia prudencial de las piezas móviles. No toque ni trate de detener las cuchillas del cortador cuando estén en movimiento.
- Pare siempre el motor cuando se retrase el corte o mientras camina de una ubicación de corte a otra.
- Mantenga el producto limpio de cortes de césped y otros materiales. Pueden quedar atrapados en las cuchillas de corte.
- Coloque siempre la cubierta de la cuchilla cuando no esté utilizando el producto.
- Nunca sumerja ni salpique el aparato con agua o con cualquier otro líquido. Mantenga las asas secas, limpias y sin residuos.
- Transporte y almacenamiento
- No haga funcionar el aparato con cubiertas o protecciones defectuosas, o sin dispositivos de seguridad en su lugar.
- Apague inmediatamente el aparato y retire la batería en el caso de accidente o avería. No vuelva a utilizar el producto hasta que un servicio de mantenimiento autorizado lo haya inspeccionado completamente.
- Cuando transporte o guarde el producto, coloque siempre la funda de la cuchilla en el producto.
- Limpie el producto en profundidad antes de guardarlo.



Guarde el producto en un lugar seco y bien ventilado que sea inaccesible por parte de niños. Evite el contacto con agentes corrosivos tales como productos químicos de jardinería o sales descongelantes.

- Guarde y cargue los paquetes de batería en una zona fresca. Las temperaturas superiores o inferiores a una temperatura ambiente normal acortarán la vida de la batería.
- Nunca guarde los paquetes de batería descargados. Espere a que el paquete de baterías se enfríe y cárguelo inmediatamente.
- Para transportar el producto, sujételo de modo que no se mueva ni se caiga para evitar lesiones personales o daños al producto.

### TRANSPORTE DE BATERÍAS DE LITIO

Transporte de baterías de acuerdo con las disposiciones y reglamentos nacionales y locales.

Cumpla todos los requisitos especiales relativos al embalaje y etiquetado cuando el transporte de baterías se lleve a cabo por un tercero. Asegúrese de que, durante el transporte, las baterías no entran en contacto con otras baterías o materiales conductores protegiendo los conectores expuestos con taponos o tapas aislantes de material no conductor. No transporte baterías que tengan grietas o fugas. Consulte a la empresa de transporte para obtener más asesoramiento.

### MANTENIMIENTO

#### ⚠ ADVERTENCIA

Utilice sólo piezas y accesorios de recambio originales del fabricante. Si no lo hace podría ocurrir un mal funcionamiento, podrían producirse daños o podría quedar anulada la garantía.

#### ⚠ ADVERTENCIA

Las reparaciones requieren tener mucho cuidado y conocimiento y sólo debe realizarse por un técnico de servicio calificado. Para operaciones de servicio, lleve el producto a un centro de servicio autorizado. Utilice solo recambios originales del fabricante para las operaciones de mantenimiento.

- Use guantes al realizar el mantenimiento del aparato de corte.
- Cuide el producto. Mantenga el borde de corte afilado y limpio para obtener el mejor rendimiento y reducir el riesgo de lesión. Lubrique y cambie los accesorios siguiendo las instrucciones del manual. Mantenga las asas secas, limpias y libres de aceite y grasa.
- Apague y quite la batería antes de realizar ninguna labor de mantenimiento ni de limpieza.
- Después de cada uso, limpie la estructura y los mangos del aparato con un paño seco y suave.
- Después de cada uso, limpie los restos de las láminas con un cepillo duro y, a continuación, aplique cuidadosamente un lubricante que prevenga el óxido

antes de volver a colocar el protector de la lámina. El fabricante recomienda usar un pulverizador lubricante y preventivo del óxido, aplicándolo de forma uniforme y reducir así el riesgo de lesiones debido al contacto con las cuchillas. Para más información sobre el producto pulverizador apropiado, consulte a su centro de asistencia autorizado local.

- Evite el uso de disolventes para limpiar las piezas de plástico. La mayoría de los plásticos son susceptibles a daños de varios tipos de solventes comerciales y pueden dañarse por su uso. Use un paño limpio para limpiar la suciedad, polvo, aceite, grasa, etc. de la herramienta.
- Asegúrese siempre de que las aberturas de ventilación estén libres de residuos.
- Inspeccione periódicamente las cuchillas para comprobar si hay daños o desgaste.
- Utilice siempre las cuchillas de recambio especificadas por el fabricante.
- Para un funcionamiento más sencillo y una vida de la cuchilla más larga, lubrique las cuchillas de corte antes y después de cada uso. Antes de lubricar, extraiga el paquete de baterías y coloque las cuchillas de corte sobre una superficie plana. Aplique lubricante de maquinaria ligera a lo largo del borde de la cuchilla superior. No aplique aceite mientras el producto está en funcionamiento.

### RIESGOS RESIDUALES:

Incluso cuando se utiliza el producto según las instrucciones, sigue siendo imposible eliminar por completo ciertos factores de riesgo residuales. Los siguientes peligros pueden surgir en el uso y el operador debe prestar especial atención para evitar lo siguiente:

- Lesiones por vibración.
  - Sujete el producto por los mangos destinados al efecto y limite el tiempo de funcionamiento y de exposición.
- Daños auditivos causados por la exposición al ruido.
  - Use protección para los oídos y limite el tiempo de exposición.
- daño producido por contacto con las cuchillas
  - Las cuchillas no pueden estar protegidas mientras están cortando. Mantenga la cuchilla alejada de usted mismo y de los demás. Coloque siempre la cubierta de la cuchilla cuando no esté utilizando el producto.

### REDUCCIÓN DEL RIESGO

Se ha informado de que las vibraciones de las herramientas de mano puede contribuir a una condición llamada síndrome de Raynaud en ciertos individuos. Los síntomas pueden incluir hormigueo, entorpecimiento y decoloración de los dedos, generalmente aparentes cuando tiene lugar una exposición al frío. Se considera que los factores hereditarios, exposición al frío y a la humedad, dieta, tabaquismo y prácticas de trabajo contribuyen al desarrollo de estos síntomas. Existen medidas que pueden ser tomadas por el operador para reducir los efectos de



vibración:

- Mantenga su cuerpo caliente durante el tiempo frío. Al manipular el producto, utilice guantes para mantener las manos y las muñecas calientes. Hay informes que indican que el tiempo frío es un gran factor que contribuye al síndrome de Raynaud.
- Después de cada período de funcionamiento, realice ejercicios para aumentar la circulación sanguínea.
- Haga pausas de trabajo frecuentes. Limite la cantidad de exposición por día.
- Si siente alguno de los síntomas de esta enfermedad, interrumpa inmediatamente el uso y consulte a su médico estos síntomas.

#### ⚠ ADVERTENCIA

El uso prolongado de una herramienta puede causar o agravar lesiones. Al utilizar cualquier herramienta durante períodos prolongados asegúrese de tomar descansos regulares.

#### CONOZCA SU PRODUCTO

Véase la página 139.

1. Mango trasero
2. Botón de bloqueo del gatillo
3. Gatillo
4. Cuchilla de cizalla de césped
5. Funda de cuchilla de cizalla de césped
6. Cuchilla de desbrozadora
7. Funda de cuchilla de desbrozadora
8. Batería
9. Botón de sujeción de la batería
10. Cargador
11. Pomo de sujeción de cuchilla
12. Postes de la hoja
13. Cubierta del puerto del conector de goma

#### SÍMBOLOS EN EL PRODUCTO



Advertencia



Lea y comprenda todas las instrucciones antes de manipular el producto, respete las advertencias y las instrucciones de seguridad.



Utilice protección ocular.



Use protección auditiva.



Utilice guantes protectoras antideslizantes resistentes.



No la exponga a la lluvia o a lugares húmedos.



Para evitar lesiones graves, no toque las cuchillas.



Tenga cuidado con los objetos volátiles o lanzados. Mantenga a todos los espectadores, especialmente a los niños y las mascotas, por lo menos a 15 metros de la zona de trabajo.



Advertencia! El aparato de corte sigue girando después de apagar el motor.



Los productos eléctricos de desperdicio no deben desecharse con desperdicios caseros. Por favor reciclelos donde existan dichas instalaciones. Compruebe con su autoridad local o minorista para reciclar.



Esta herramienta responde a todas las normas reglamentarias del país de la UE donde se ha comprado.



Certificado EAC de conformidad



Marca de conformidad ucraniana



El nivel de potencia acústica garantizado mostrado en esta etiqueta es de 86 dB.

Los siguientes símbolos y palabras detallan los niveles de cuidado necesarios para usar este producto.

#### ⚠ PELIGRO

Indica una situación potencialmente peligrosa que, de no evitarse, puede ocasionar la muerte o heridas de gravedad.

#### ⚠ ADVERTENCIA

Indica una situación peligrosa que, de no evitarse, puede ocasionar la muerte o heridas de gravedad.

#### ⚠ ADVERTENCIA

Indica una situación potencialmente peligrosa que, de no evitarse, puede ocasionar heridas leves.

#### ADVERTENCIA

Sin símbolo de alerta de seguridad



Indica una situación que puede causar daños en las cosas.

## SÍMBOLOS EN ESTE MANUAL



Las piezas o accesorios se venden por separado



Nota



Advertencia

EN  
FR  
DE  
**ES**  
IT  
NL  
PT  
DA  
SV  
FI  
NO  
RU  
PL  
CS  
HU  
RO  
LV  
LT  
ET  
HR  
SL  
SK  
BG  
UK  
TR

E' stata data massima priorità a sicurezza, prestazioni e affidabilità nel design di queste forbici per erba/cesoie senza cavi.

### UTILIZZO RACCOMANDATO

Le forbici per erba/sfoltirami a batteria sono progettate esclusivamente per l'uso all'aperto in una zona ben ventilata.

Prodotto disegnato per utilizzo privato o domestico.

Quando utilizzato con l'attacco per erba, il prodotto è inteso per attività leggere di taglio di erba ed erbacce.

Quando utilizzato con l'attacco sfoltirami, il prodotto è inteso per la potatura leggera di arbusti, siepi e cespugli.

Non utilizzare per altri scopi.

### AVVERTENZE GENERALI DI SICUREZZA

#### AVVERTENZA

**Leggere tutte le avvertenze di sicurezza e le istruzioni.** La mancata osservanza di tutte le istruzioni potrà causare scosse elettriche, incendi e/o gravi lesioni personali.

**Conservare le presenti avvertenze ed istruzioni per poterle consultare in seguito.**

Il termine "elettroutensile" nelle avvertenze fa riferimento a un elettroutensile che funziona con una spina (con cavo) o a batterie (senza cavo).

#### Ambiente di lavoro

- **Mantenere l'area di lavoro pulita e ben illuminata.** Aree di lavoro disordinate o non illuminate adeguatamente potranno causare incidenti.
- **Non mettere in funzione gli elettroutensili in atmosfere esplosive, come in presenza di liquidi infiammabili, gas o polvere.** Gli elettroutensili creano scintille che possono causare incendi a contatto con polveri e fumi.
- **Tenere bambini ed eventuali osservatori lontani mentre si mette in funzione l'elettroutensile.** Eventuali distrazioni potranno causare una perdita di controllo.

#### Sicurezza elettrica

- **La spina dell'elettroutensile deve corrispondere alla presa. Non modificare la spina in alcun modo. Non utilizzare spine adattatrici con elettroutensili con messa a terra (presa di terra).** Spine non modificate e prese corrispondenti ridurranno il rischio di scosse elettriche.
- **Evitare il contatto del corpo con superfici con messa a terra come tubi, radiatori, piani cottura e refrigeratori.** Rischio aumentato di scosse elettriche se il corpo viene collegato con messa a terra.
- **Non esporre il prodotto a pioggia o umidità.** Nel caso in cui dell'acqua entrerà nell'elettroutensile il rischio di scosse elettriche aumenterà.
- **Non sottoporre a sforzi il cavo dell'alimentazione.**

**Non trasportare né tirare o scollegare l'elettroutensile dal cavo. Tenere il cavo lontano da calore, olio, angoli appuntiti o parti in movimento.** Cavi danneggiati o intrecciati potranno far aumentare il rischio di scosse elettriche.

- **Quando si mette in funzione un elettroutensile all'esterno, utilizzare una prolunga adatta all'esterno.** Utilizzare un cavo adatto agli esterni per ridurre il rischio di scosse elettriche.
- **Nel caso in cui non si possa fare a meno di mettere in funzione un elettroutensile in un luogo umido, utilizzare un dispositivo di corrente residua (RCD).** Utilizzare un RCD ridurrà il rischio di scosse elettriche.

#### Sicurezza personale

- **Mantenere sempre l'attenzione e utilizzare buon senso quando si utilizza un elettroutensile. Non utilizzare un elettroutensile se stanchi o sotto l'influenza di droghe, alcool o farmaci.** Un momento di disattenzione durante le operazioni potrà risultare in gravi lesioni personali.
- **Utilizzare equipaggiamento di protezione personale. Indossare sempre occhiali di protezione.** Utilizzare sempre equipaggiamento di protezione come maschere per la polvere, calzature antiscivolo, caschi o cuffie di protezione per ridurre rischi di lesioni alla persona.
- **Prevenire l'avvio accidentale. Assicurarsi che l'interruttore sia sulla posizione off (spento) prima di collegare l'utensile all'alimentazione e/o al gruppo batterie, o prima di afferre e trasportare l'utensile.** Trasportare elettroutensili tenendo un dito sull'interruttore o con l'elettroutensile acceso potrà causare incidenti.
- **Rimuovere eventuali chiavi o dispositivi di regolazione prima di accendere l'elettroutensile.** Una chiave o un dispositivo di blocco collegato a una parte rotante dell'utensile potrà risultare in gravi lesioni personali.
- **Non protendersi. Rimanere bene in equilibrio sulle gambe e non distendere troppo lontano le braccia.** Ciò permetterà un miglior controllo dell'elettroutensile in situazioni inaspettate.
- **Indossare un abbigliamento adatto. Non utilizzare abiti con parti svolazzanti o gioielli. Tenere capelli, vestiti e guanti lontani dalle parti in movimento.** Abiti con parti svolazzanti, gioielli o capelli lunghi potranno rimanere impigliati nelle parti in movimento.
- **Nel caso in cui vengano forniti dispositivi per l'estrazione e la raccolta della polvere, assicurarsi che gli stessi siano collegati e utilizzati correttamente.** Utilizzare il sacchetto di raccolta della polvere può ridurre rischi collegati alla polvere.

#### Utilizzo e manutenzione elettroutensili

- **Non forzare il prodotto. Utilizzare l'elettroutensile corretto per il proprio lavoro.** L'elettroutensile corretto svolgerà in maniera migliore e più sicura il lavoro per il quale è stato progettato.
- **Non utilizzare l'elettroutensile se l'interruttore non si accende e spegne.** Un elettroutensile che non può

essere controllato dall'interruttore è pericoloso e deve essere riparato.

- **Scollegare la presa dall'alimentazione e/o il gruppo batterie dall'elettrotensile prima di fare le adeguate regolazioni, cambiare gli accessori o riporre gli elettrotensili.** Queste misure di sicurezza preventive ridurranno il rischio di avvio dell'elettrotensile.
- **Riporre elettrotensili lontano dalla portata dei bambini e non permettere a persone che non conoscano il funzionamento dell'elettrotensile o queste istruzioni di metterlo in funzione.** Gli elettrotensili possono essere pericolosi se utilizzati da personale non preparato.
- **Svolgere sempre le operazioni di manutenzione sull'elettrotensile. Controllare l'eventuale allineamento scorretto o blocco delle parti in movimento, la rottura di parti e qualsiasi altra condizione che potrà influenzare il funzionamento dell'elettrotensile. In caso di danni far riparare l'elettrotensile prima di utilizzarlo.** Elettrotensili sui quali non sono state svolte le dovute operazioni di manutenzione possono essere causa di incidenti.
- **Mantenere tutti gli utensili affilati e appuntiti.** Utensili per operazioni di taglio con parti taglienti sui quali sono state svolte le corrette operazioni di manutenzione non si bloccheranno e saranno più facili da controllare.
- **Utilizzare l'elettrotensile, i suoi accessori, le punte ecc. assieme a queste istruzioni tenendo conto delle condizioni di lavoro e del lavoro da svolgere.** Utilizzare l'elettrotensile per operazioni diverse da quelle indicate potrà causare situazioni pericolose.

#### Utilizzo e manutenzione di un utensile a batterie

- **Ricaricare solo con il caricatore indicato dalla ditta produttrice.** Un caricatore adatto per un tipo di batterie potrà creare un rischio di incendio se utilizzato con un altro gruppo batterie.
- **Utilizzare elettrotensili solo con i gruppi batteria indicati.** L'utilizzo di gruppi batteria diversi da quelli indicati potrà causare rischi di lesioni e incendi.
- **Quando il gruppo batterie non viene utilizzato, tenerlo lontano da oggetti in metallo come fermagli, monete, chiavi, chiodi, viti o altri piccoli oggetti che potranno fare da tramite da un terminale all'altro.** Cortocircuitare i terminali della batteria assieme potrà causare scottature o incendi.
- **Se sottoposto a stress, la batteria potrà perdere dei liquidi; evitare il contatto. Se si entra accidentalmente in contatto con tali liquidi, lavarsi immediatamente con acqua. Se il liquido entra negli occhi, rivolgersi a un medico.** Il liquido espulso dalla batteria potrà causare irritazioni o scottature.

#### Manutenzione

- **Far svolgere la manutenzione da personale qualificato utilizzando solo parti di ricambio identiche.** Ciò permette di mantenere la sicurezza dell'elettrotensile.

## AVVERTENZE DI SICUREZZA DELLE FORBICI PER ERBA/SFOLTIRAMI

### ⚠ AVVERTENZA

Le lame continuano a muoversi anche una volta spento il motore.

#### UTILIZZO

- Leggere attentamente le istruzioni. Familiarizzare con i comandi e il corretto utilizzo del prodotto.
- Non lasciare mai che bambini, persone con ridotte capacità fisiche, sensoriali o mentali o mancanza di esperienza e conoscenza o persone non familiari con queste istruzioni utilizzino il prodotto. Leggi locali possono limitare l'età dell'operatore.
- Ricordare che l'operatore sarà responsabile di eventuali lesioni o danni a persone o cose.

#### PREPARAZIONE

- Controllare il prodotto prima dell'uso. Sostituire le parti danneggiate.
- Pulire la zona di lavoro prima delle operazioni. Rimuovere tutti gli oggetti come cavi, luci, fili, o corde che potranno essere scagliate o rimanere impigliate nei dispositivi di taglio.
- Non mettere mai in funzione l'utensile in presenza di osservatori, soprattutto bambini, o animali.
- Sostituire le lame di taglio e le altre parti rotte, scheggiate o danneggiate. Assicurarsi che le lame siano correttamente montate e adeguatamente fissate. La mancata osservanza di questa norma potrà causare lesioni personali all'operatore e agli osservatori come pure danni all'unità.
- Non utilizzare il prodotto se l'interruttore non si accende o spegne. Un prodotto che non può essere controllato dall'interruttore è pericoloso e deve essere riparato.
- Abituarsi a controllare che le chiavi di regolazione siano state rimosse dal prodotto prima dell'accensione.

#### UTILIZZO

- Per evitare rischi di gravi lesioni fisiche, durante l'uso dell'apparecchio indossare sempre un abbigliamento di protezione completo (occhiali, indumenti e calzature).
- Indossare un abbigliamento adatto. Non indossare abiti ampi o gioielli che potrebbero rimanere impigliati nelle parti in movimento dell'apparecchio. Per effettuare lavori all'esterno si raccomanda di utilizzare guanti da lavoro e calzature antiscivolo.
- Evitare di utilizzare il prodotto in cattive condizioni climatiche soprattutto in caso di rischi di fulmini.
- Accendere il motore solo quando le mani e i piedi sono lontani dalle lame.
- Prestare attenzione per evitare gravi lesioni ai piedi e alle mani a causa delle lame.
- Fare sempre attenzione allo spazio di lavoro, mantenere la massima attenzione per evitare eventuali rischi che non potranno essere uditi a causa del rumore della macchina.



- Non tentare mai di utilizzare un prodotto incompleto o uno dotato di una modifica non autorizzata.

## AVVERTENZE DI SICUREZZA DECESPUGLIATORE

- **Tenere tutte le parti del corpo lontane dalla lama di taglio. Non rimuovere materiale tagliato o materiale da tagliare che si sta reggendo con le mani mentre le lame sono in movimento. Assicurarsi che l'interruttore sia spento quando si rimuove del materiale incastrato tra le lame.** Un momento di disattenzione mentre si mette in funzione il prodotto potrà causare gravi lesioni personali.
- **Trasportare il decespugliatore dal manico con la lama arrestata. Quando si trasporta o si ripone il decespugliatore, inserire sempre il coperchio sul dispositivo di taglio.** Utilizzare il decespugliatore in modo corretto ridurrà eventuali lesioni che potranno essere causate dalla lama di taglio.
- **Reggere l'elettrotensile dalle superfici isolate dal momento che la lama di taglio potrà entrare in contatto con cavi nascosti o con il suo stesso cavo.** Se le lame di taglio entrano in contatto con un cavo "vivo" potranno rendere "vive" le parti in metallo dell'elettrotensile causando scosse elettriche all'operatore.
- **Tenere il cavo lontano dall'area di taglio.** Durante le operazioni il cavo potrà nascondersi tra la vegetazione e potrà venire accidentalmente tagliato dalla lama.
- Controllare la siepe e rimuovere eventuali corpi estranei come corde e cavi di recinzioni.

## ULTERIORI AVVERTENZE DI SICUREZZA

- Onde evitare il rischio di avvio involontario dell'apparecchiatura, non spostare l'apparecchio mantenendo il dito sul grilletto.
- Indossare pantaloni spessi, calzature di sicurezza antiscivolo e guanti. Non indossare pantaloni corti o sandali e non utilizzare l'apparecchio a piedi nudi.
- Assicurarsi che l'interruttore sia in posizione spento prima di inserire la batteria. Inserire la batteria nel prodotto quando l'interruttore è in posizione acceso potrebbe favorire incidenti.
- Norme di sicurezza generali non utilizzare questo apparecchio in una zona scarsamente illuminata. Utilizzare il prodotto con la luce del giorno o con una buona illuminazione artificiale.
- Mantenere sempre un appoggio saldo e l'equilibrio. Non protendersi. Protendersi potrà causare una perdita di equilibrio. Mantenere l'equilibrio su terreni in discesa. Camminare, non correre mai.
- Non forzare il prodotto. L'utensile svolgerà un lavoro migliore e più sicuro se utilizzato alla velocità per la quale è stato progettato.
- Prima di mettere in funzione l'apparecchio, accertarsi che le lame non possano entrare a contatto con alcun ostacolo. Se le forbici per erba urtano un ostacolo o se vi sono elementi che bloccano la lama, arrestare immediatamente l'apparecchio, rimuovere la batteria ed assicurarsi che non vi siano componenti danneggiati.

Non mettere in funzione l'unità senza parti allentate o danneggiate.

- Verificare la presenza di parti danneggiate, l'allineamento e il fissaggio delle parti mobili, nonché qualsiasi altra condizione che potrebbe influire sul funzionamento del prodotto. Prima di continuare ad utilizzare l'apparecchio, verificare se un componente o un accessorio danneggiato è in grado di continuare a funzionare e di svolgere il suo compito. Rivolgersi ad un Centro di Assistenza Autorizzato per la riparazione o la sostituzione di qualunque componente danneggiato.
- Per ridurre il rischio di lesioni dovute al contatto con le parti in movimento, arrestare sempre l'unità, rimuovere la batteria, assicurarsi che tutte le parti in movimento si siano arrestate e lasciar raffreddare il prodotto prima di:
  - quando si lascia il prodotto non supervisionato
  - prima di rimuovere un blocco
  - prima di svolgere le operazioni di controllo o pulizia sul prodotto o prima di utilizzarlo
  - ispezionare il prodotto dopo aver urtato un corpo estraneo
  - se il prodotto inizia a vibrare in maniera anormale
- Tenere le mani lontane dalle lame. Non rimuovere materiale tagliato o materiale da tagliare che si sta reggendo con le mani mentre le lame sono in movimento. Prima di rimuovere un elemento incastratosi nella lama, assicurarsi che la batteria sia stata tolta e che il grilletto sia stato rilasciato. Non afferrare le lame di taglio esposte o le estremità taglienti quando si prende o regge il corpo principale dell'utensile.
- Tenere le mani, il volto e i piedi a debita distanza dai componenti mobili. Non tentare di toccare o di arrestare la lama quando è in movimento.
- Arrestare sempre il motore quando non si sta eseguendo la fase di taglio o quando ci si sposta da un'area di taglio all'altra.
- Non lasciare che eventuali residui di taglio o altri materiali si accumulino sull'apparecchio. Potranno rimanere impigliati nelle lame di taglio.
- Installare sempre il coperchio della lama quando il prodotto non viene utilizzato.
- Non versare o far cadere acqua o altri liquidi sull'utensile. Tenere i manici asciutti, puliti e liberi da eventuali materiali di scarico.
- Trasporto e riponimento
- Non mettere in funzione l'utensile in caso di paralame o schermi difettosi, oppure senza dispositivi di sicurezza correttamente montati.
- Spegnerne immediatamente e rimuovere la batteria in caso di incidente o rottura. Non utilizzare di nuovo il prodotto finché non è stato controllato a fondo da un centro di assistenza autorizzato.
- Quando non si utilizzano le forbici per erba o durante il trasporto, riposizionare la protezione della lama.
- Pulire con cura l'apparecchio prima di riporlo. Conservare l'apparecchio in un locale asciutto e ben ventilato, fuori dalla portata dei bambini, tenerlo a distanza da agenti corrosivi, come le sostanze chimiche per il giardinaggio e il fondente chimico.





- Riporre e ricaricare la batteria in un luogo fresco. Le temperature sopra o sotto la normale temperatura ambiente accorceranno la durata della batteria.
- Non riporre mai la batteria quando è scarica. Attendere che la batteria si raffreddi e ricaricarla immediatamente.
- Per il trasporto, assicurare il prodotto contro ogni movimento o contro eventuali cadute per evitare lesioni a persone o danni al prodotto.

### TRASPORTO BATTERIE AL LITIO

Trasportare le batterie rispettando quanto indicato dalle norme e regolamentazioni locali.

Far rispettare quanto indicato sulle etichette e sull'involucro quando la batteria viene trasportata da terzi. Assicurarsi che le batterie non entrino in contatto con altre batterie o con materiali conduttivi mentre si trasportano proteggendo connettori esposti con tappi o nastro isolante e non conduttivo. Non trasportare batterie rotte o che perdono liquidi. Consultare la ditta produttrice per eventuali ulteriori consigli.

### MANUTENZIONE

#### ⚠ AVVERTENZA

Utilizzare solo parti di ricambio, accessori e dispositivi originali della ditta produttrice. In caso contrario si potranno causare lesioni, prestazioni basse e la garanzia verrà invalidata.

#### ⚠ AVVERTENZA

Le operazioni di manutenzione devono essere svolte con grande attenzione e accortezza solo da un tecnico qualificato. Per la manutenzione, portare il prodotto presso un centro servizi autorizzato. Quando si svolgono le operazioni di manutenzione, utilizzare solo parti di ricambio originali della ditta produttrice.

- Indossare guanti protettivi quando si esegue la manutenzione della lama.
- Riporre il prodotto con cura. Mantenere la lama affilata e pulita per ottenere prestazioni ottimali e ridurre il rischio di lesioni. Lubrificare e sostituire gli accessori in base alle istruzioni. Mantenere i manici puliti, e rimuovere eventuali tracce di olio e grasso.
- Spegner l'utensile e rimuovere la batteria prima di effettuare qualsiasi intervento di manutenzione o pulizia.
- Dopo ogni utilizzo, pulire il corpo dell'utensile e le impugnature del prodotto con un panno asciutto morbido.
- Dopo ogni utilizzo, rimuovere gli scarti dalle lame con una spazzola rigida, e quindi applicare attentamente un lubrificante per prevenire la ruggine prima di reinstallare il proteggi lame. La ditta produttrice raccomanda di utilizzare uno spray lubrificante e preventivo della ruggine da applicare in maniera equa e ridurre il rischio di lesioni personali dal contatto con le lame. Per informazioni su un prodotto spray adatto, controllare

con il proprio centro servizi autorizzato.

- Evitare di utilizzare solventi quando si puliscono le parti in plastica. La maggior parte dei materiali plastici è soggetta a danni di vario tipo da solventi commerciali e può essere danneggiata dal contatto con gli stessi. Utilizzare un panno pulito per rimuovere tracce di sporco, polvere, olio, grasso ecc.
- Assicurarsi che le griglie di ventilazione siano pulite e rimuovere eventuali materiali di scarto rimasti intrappolati.
- Controllare le lame per identificare se danneggiate o consumate.
- Utilizzare sempre le lame di sostituzione indicate dalla ditta produttrice.
- Per un funzionamento più agevole e una durata maggiore delle lame, lubrificare le lame prima e dopo ciascun utilizzo. Prima della lubrificazione, rimuovere la batteria e appoggiare le lame su una superficie in piano. Applicare lubrificante per utensili leggeri lungo il bordo della lama superiore. Non applicare olio sulle lame mentre il dispositivo sta funzionando.

### RISCHI RESIDUI:

Anche quando il prodotto viene utilizzato come indicato, è impossibile eliminare completamente alcuni fattori di rischio residuo. Si potranno verificare i seguenti rischi durante l'utilizzo e l'operatore dovrà prestare attenzione speciale per evitare quanto segue:

- Lesioni causate da vibrazioni.
  - Reggere il prodotto dai manici e limitare i tempi di utilizzo e l'esposizione.
- Danni causati all'udito dall'esposizione al rumore.
  - Indossare cuffie di protezione e limitare l'esposizione.
- lesioni da contatto con le lame
  - Non tenere la protezione lame sulle stesse durante le operazioni di taglio. Tenere la lama lontana da sé stessi e dagli altri. Installare sempre il coperchio della lama quando il prodotto non viene utilizzato.

### RIDUZIONE DEL RISCHIO

Si è accertato che le vibrazioni causate da utensili a mano possono contribuire a causare una condizione chiamata Sindrome di Raynaud in alcune persone. I sintomi, comprendenti formicolio, intorpidimento e perdita di colore alle dita, si verificano di solito quando ci si espone al freddo. Fattori ereditari, esposizione a freddo e umidità, una dieta scorretta, fumo e condizioni di lavoro non sicure potranno contribuire allo sviluppo di questi sintomi. È possibile prendere delle precauzioni per ridurre le vibrazioni:

- Tenere il corpo al caldo a basse temperature. Quando si utilizza il prodotto indossare guanti per tenere le mani e i polsi caldi. Le basse temperature contribuiscono a causare la Sindrome di Raynaud.
- Dopo aver utilizzato l'utensile per un certo periodo, fare degli esercizi per stimolare la circolazione del sangue.
- Fare spesso delle pause. Limitare la quantità di esposizione giornaliera.



- Nel caso in cui si provino i sintomi di questa condizione, interrompere immediatamente l'utilizzo dell'utensile e consultare un dottore.

### ⚠ AVVERTENZA

Il prolungato utilizzo dell'utensile potrà causare o aggravare lesioni. Quando si utilizza questo utensile per periodi di tempo prolungati, assicurarsi di fare sempre delle pause regolari.

### FAMILIARIZZARE CON IL PRODOTTO

Vedere pagina 139.

1. Manico posteriore
2. Tasto di blocco grilletto
3. Grilletto
4. Forbici per erba
5. Protezione delle forbici per erba
6. Forbici sfoltirami
7. Protezione delle forbici sfoltirami
8. Batteria
9. Tasto linguetta batteria
10. Caricatore
11. Manopola di fissaggio della lama
12. Aste lama
13. Coperchio in gomma della presa

### SIMBOLI SUL PRODOTTO



Avvertenza



Leggere e comprendere tutte le istruzioni prima di mettere in funzione il prodotto, seguire tutte le istruzioni e le avvertenze di sicurezza.



Indossare dispositivi di protezione occhi.



Indossare cuffie di protezione.



Indossare guanti di protezione resistenti e anti-scivolo.



Non esporre a pioggia o umidità.



Per prevenire gravi lesioni, non toccare le lame di taglio.



Fare attenzione ad oggetti scagliati o lanciati dall'utensile. Tenere lontani tutti gli osservatori, soprattutto bambini e animali, ad almeno 15 m dalla zona di funzionamento.



Attenzione! Le lame continuano a muoversi anche una volta spento il motore.



I prodotti elettrici non devono essere smaltiti con i rifiuti domestici. Vi sono strutture per smaltire tali prodotti. Informarsi presso il proprio Comune o rivenditore di sicurezza per smaltire adeguatamente tali rifiuti.



Questo apparecchio è conforme a tutte le norme vigenti nel paese dell'UE in cui è stato acquistato.



Marchio di conformità EurAsian



Marchio di conformità ucraino



Il livello di pressione sonora garantito indicato su questa etichetta è di 86 dB.

I seguenti simboli indicano i livelli di rischio associati a questo prodotto.

#### ⚠ PERICOLO

Indica una situazione pericolosa che, se non evitata attentamente, potrà causare gravi lesioni alla persona o morte.

#### ⚠ AVVERTENZA

Indica una situazione potenzialmente pericolosa che, se non evitata attentamente, potrà causare gravi lesioni alla persona o morte.

#### ⚠ ATTENZIONE

Indica una situazione potenzialmente pericolosa che, se non evitata attentamente, potrà causare lesioni minori o moderate alla persona.

#### ATTENZIONE

Senza simbolo di allerta di sicurezza

Indica una situazione che potrà risultare in gravi danni a cose.

## SIMBOLI NEL PRESENTE MANUALE



Parti o accessori venduti separatamente



Note



Avvertenze

EN

FR

DE

ES

**IT**

NL

PT

DA

SV

FI

NO

RU

PL

CS

HU

RO

LV

LT

ET

HR

SL

SK

BG

UK

TR



Veiligheid, prestaties, betrouwbaarheid kregen topprioriteit in het ontwerp van uw snoerloze grasschaar/struikruimer.

### VOORGESCHREVEN GEBRUIK

De snoerloze grasschaar/struikruimer is uitsluitend bedoeld voor gebruik buitenshuis in een goed geventileerd gebied.

Het product is geschikt voor huishoudelijk gebruik.

Bij gebruik in combinatie met een schaarbevestiging, is het product bedoeld voor het licht trimmen van gras en onkruid.

Bij gebruik in combinatie met een struikschaarbevestiging, is het product bedoeld voor het licht trimmen van struiken, hekken en bosjes.

Gebruik niet voor andere doeleinden.

### ALGEMENE VEILIGHEIDSWAARSCHUWINGEN

#### ⚠ WAARSCHUWING

##### Lees alle veiligheidswaarschuwingen en instructies.

Wanneer niet de waarschuwingen en instructies niet opvolgt, kan dit leiden tot elektrische schok en/of ernstig letsel.

**Bewaar deze waarschuwingen en voorschriften zorgvuldig om ze ook later te kunnen inzien.**

De term "elektrisch gereedschap" in de waarschuwingen verwijst naar gereedschap dat met de stroomtoevoer is verbonden (met snoer) of accu-aangedreven (snoerloos) gereedschap.

#### Werkomgeving

- **Houd de werkplek schoon en goed verlicht.** Vervuilde of donkere plekken nodigen uit tot ongevallen.
- **Gebruik elektrische werktuigen niet in explosieve omgevingen, zoals in de aanwezigheid van ontvlambare vloeistoffen, gassen of stof.** Elektrisch gereedschap kan vonken veroorzaken die het stof of de gassen kunnen ontsteken.
- **Houd kinderen en omstanders weg terwijl u elektrisch gereedschap gebruikt.** Wanneer u wordt afgeleid, kunt u de controle verliezen.

#### Elektrische veiligheid

- **Stekkers van elektrisch gereedschap moeten overeenkomen met de contactdoos.** Wijzig de stekker nooit. Gebruik geen adapters met geaarde elektrische werktuigen. Niet-gewijzigde stekkers en overeenkomstige contactdozen zullen het risico op elektrische schok verminderen.
- **Vermijd lichaamscontact met een geaard oppervlak, zoals buizen, radiatoren, kookfornuizen en koelkasten.** Er bestaat een verhoogd risico voor elektrische schokken als uw lichaam is geaard.
- **Stel het product niet bloot aan regen of natte omstandigheden.** Water dat een elektrisch werktuig binnendringt, verhoogt het risico op elektrische schokken.
- **Misbruik het snoer niet. Gebruik het snoer nooit om**

**het elektrisch werktuig te dragen, eraan te trekken of het uit de contactdoos te trekken. Houd het snoer weg van hitte, olie, scherpe randen of bewegende onderdelen.** Beschadigde of verstrikte snoeren verhogen het risico op elektrische schokken.

- **Gebruik een verlengsnoer geschikt voor buitenshuis gebruik wanneer u een elektrisch werktuig buitenshuis gebruikt.** Het gebruik van een snoer dat geschikt is voor buitenshuis gebruik, vermindert het risico op elektrische schokken.
- **Als het gebruik van een elektrisch werktuig op een vochtige plaats onvermijdelijk is, gebruikt u een contactdoos die beschermd is door een aardlekschakelaar.** Het gebruik van een aardlekschakelaar vermindert het risico op elektrische schokken.

#### Persoonlijke veiligheid

- **Blijf alert, kijk naar wat u doet en gebruik uw gezond verstand wanneer u elektrisch gereedschap gebruikt.** Gebruik een elektrisch werktuig niet wanneer u moe of onder de invloed van drugs, alcohol of medicijnen bent. Een ogenblik van onoplettendheid terwijl u elektrisch gereedschap gebruikt, kan leiden tot ernstige verwondingen.
- **Gebruik een persoonlijke beschermuitrusting. Draag altijd gehoorbescherming.** Beschermonderdelen, zoals een stofmasker, antislipschoeisel, helm of gehoorbescherming dat op een geschikte manier wordt gebruikt, zal het risico op verwondingen verlagen.
- **Ongewenst starten voorkomen. Zorg ervoor dat de schakelaar zich in de uit-stand bevindt voor u de machine met een stroombron en/of accupack verbindt, de machine opheft of draagt.** Wanneer u elektrisch gereedschap draagt met de vinger op de schakelaar of wanneer het gereedschap met de stroombron is verbonden, kan dit leiden tot ongevallen.
- **Verwijder alle afstelsleutels voor u het elektrisch werktuig inschakelt.** Een sleutel die op een draaiend onderdeel van het elektrisch gereedschap werd achtergelaten, kan leiden tot verwondingen.
- **Overrek u niet. Ga altijd stevig op uw benen staan en reik niet te ver weg met uw arm.** Dit maakt een betere controle van het werktuig in onverwachte omstandigheden mogelijk.
- **Draag geen wijde kleding, dassen of sieraden die klem kunnen raken en u naar de bewegende delen toe kunnen trekken. Draag geen losse kledij of juwelen. Houd uw haar, kledij en handschoenen weg van de bewegende onderdelen.** Losse kledij, juwelen of lang haar kan in bewegende onderdelen verstrikt raken.
- **Als er apparaten worden geleverd voor de verbinding met een stofextractie en verzamelfaciliteiten, zorgt u ervoor dat deze zijn verbonden en goed worden gebruikt.** Het gebruik van een stofverzamelaar vermindert stof-gerelateerde gevaren.

#### Gebruik van en zorg voor uw elektrisch gereedschap

- **Forceer het product niet. Gebruik het correcte werktuig voor uw toepassing.** Het juiste werktuig





zal de taak beter en veiliger uitvoeren aan het tempo waarvoor het werd ontworpen.

- **Gebruik het elektrisch werktuig niet als de schakelaar het niet kan in- of uitschakelen.** Een elektrisch werktuig dat niet met behulp van de schakelaar kan worden bediend, is gevaarlijk en moet worden gerepareerd.
- **Trek de stekker uit de contactdoos en/of ontkoppel het accupack van het werktuig voor u de machine afstelt, accessoires vervangt of het werktuig opbergt.** Zulke preventieve veiligheidsmaatregelen kunnen het risico op ongewenst starten van de machine verminderen.
- **Bewaars ongebruikt elektrisch gereedschap buiten het bereik van kinderen en niet-opgeleide personen die het gereedschap of deze gebruiksaanwijzingen niet kennen.** Elektrisch gereedschap is gevaarlijk in de handen van niet-opgeleide gebruikers.
- **Onderhoud elektrisch gereedschap. Controleer op verkeerde aflijning of verstrikt raken van bewegende delen, defecten van onderdelen en alle andere situaties die de werking van het werktuig kunnen beïnvloeden. Indien beschadigd, laat u het elektrisch gereedschap repareren voor gebruik.** Veel ongevallen worden veroorzaakt door slecht onderhouden elektrische werktuigen.
- **Houd de zaagwerktuigen scherp en schoon.** Correct onderhouden zaagwerktuigen met scherpe randen zijn minder geneigd om verstrikt te raken en kunnen makkelijker worden bestuurd.
- **Gebruik het werktuig, de accessoires en werktuigonderdelen, etc. in overeenstemming met deze instructies en houd rekening met de bedrijfsomstandigheden en het uit te voeren werk.** Het gebruik van een elektrisch werktuig voor zaken die niet in het voorgeschreven gebruik zijn beschreven, kan leiden tot gevaarlijke situaties.

#### **Gebruik en onderhoud van het accuaangedreven werktuig**

- **Herlaad enkel met de oplader die door de fabrikant is gespecificeerd.** Een oplader die voor een type accupack is geschikt kan een brandgevaar betekenen wanneer het met een ander accupack wordt gebruikt.
- **Gebruik elektrisch gereedschap uitsluitend met de specifiek toegewezen accupacks.** Het gebruik van andere accupacks kan leiden tot risico's op letsels en brand.
- **Wanneer het accupack niet wordt gebruikt, moet u het weg houden van andere metalen objecten, zoals papierclips, munten, sleutels, spijkers, schroeven of andere kleine metalen voorwerpen die een verbinding kan maken van een terminal naar een andere.** De batterijterminals kortsluiten kan leiden tot brandwonden of brand.
- **In oneigenlijke omstandigheden, kan een vloeistof uit de accu lekken; vermijd contact hiermee. Als per ongeluk contact voorkomt, spoelt u met water. Als de vloeistof in contact komt met de ogen, dient u bijkomend medische hulp te raadplegen.** Vloeistof die uit de accu lekt, kan irritatie of brandwonden

veroorzaken.

#### **Onderhoud**

- **Laat uw elektrisch gereedschap onderhouden door een gekwalificeerd onderhoudspersoon en gebruik hierbij uitsluitend identieke vervangonderdelen.** Dit zal ervoor zorgen dat de veiligheid van het werktuig wordt behouden.

#### **VEILIGHEIDSWAARSCHUWINGEN VOOR DE GRASSCHAAR/STRIJKSCHAAR**

##### **⚠ WAARSCHUWING**

Het snijmechanisme blijft lopen nadat de motor is uitgeschakeld.

#### **OPLEIDING**

- Lees zorgvuldig de instructies. Wees vertrouwd met de bedieningen en het correct gebruik van het product.
- Laat kinderen, personen met verminderde fysieke, zintuigelijke of mentale vermogens of een gebrek aan ervaring of kennis of mensen die niet vertrouwd zijn met deze gebruiksaanwijzingen, het product niet gebruiken. De plaatselijke wetgeving kan beperkingen opleggen i.v.m. de leeftijd van de bediener.
- Hou er rekening mee dat de bediener of gebruiker verantwoordelijk is voor ongevallen of gevaren t.o.v. anderen of hun eigendom.

#### **VOORBEREIDING**

- Inspecteer het product voor gebruik. Vervang alle beschadigde onderdelen.
- Maak de plek waar moet worden gesnoeid vrij voor elk gebruik. Verwijder alle voorwerpen, zoals snoeren, lampen, draad of kabels die in het zaagmechanisme verstrikt kunnen raken of weggegooid worden.
- Gebruik de machine nooit wanneer zich mensen, in het bijzonder kinderen, en dieren in de buurt bevinden.
- Vervang alle snijbladen of andere onderdelen die gebarsten of beschadigd zijn. Controleer dat het snijmechanisme goed is geplaatst en stevig is vastgezet. Wanneer u dit niet doet, kan dit leiden tot verwondingen bij de gebruiker en omstanders en schade aan het apparaat.
- Gebruik het product niet als de schakelaar het product niet in- of uitschakelt. Een product dat niet met de schakelaar kan worden bediend, is gevaarlijk en moet worden gerepareerd.
- Maak er een gewoonte van om te controleren sleutels en stelsleutels van het product zijn verwijderd voordat u het inschakelt.

#### **BEDIENING**

- Om het risico op letsel te verminderen moet u altijd volledige oogbescherming, schoeisel en kleding dragen bij gebruik van het product
- Draag geen wijde kleding, dassen of sieraden die klem kunnen raken en u naar de bewegende delen toe kunnen trekken. Draag geen loszittende kleding

of sieraden; ze kunnen verstrikt raken in bewegende onderdelen. Wanneer u buitenshuis werk is het gebruik van handschoenen, stevig schoeisel en een lange broek aanbevolen.

- Vermijd gebruik van het product bij slecht weer, vooral als er gevaar voor bliksem bestaat.
- Zet de motor alleen aan wanneer handen en voeten uit de buurt van het snijmechanisme zijn.
- Let goed op dat u geen letsel oploopt aan handen en voeten door het snijmechanisme.
- Wees u telkens van uw omgeving bewust en blijf alert voor mogelijke gevaren die u misschien niet hoort omwille van het machinelawaai.
- Probeer nooit gebruik te maken van een onvolledig product of een product dat is uitgerust met ongeautoriseerde aanpassingen.

### VEILIGHEIDSWAARSCHUWINGEN VOOR HAAGTRIMMER

- **Houd alle lichaamsdelen weg van het snijblad. Verwijder geen gesnoeid materiaal of houd geen materiaal dat moet worden gesnoeid vast wanneer de snijbladen bewegen. Zorg ervoor dat de schakelaar is uitgeschakeld wanneer u geblokkeerd materiaal vrijmaakt.** Een ogenblik van onoplettendheid tijdens het gebruik van het product kan leiden tot ernstige persoonlijke letsels.
- **Houd de heggeschaar aan het handvat vast als het snijblad is stilgevallen. Wanneer u de heggeschaar transporteert of opbergt, dient u altijd de beschermhoes van de snijbladen te bevestigen.** Wanneer u de heggeschaar degelijk gebruikt, vermindert de kans op verwondingen door de snijbladen.
- **Houd het werktuig uitsluitend aan de geïsoleerde handvatten vast omdat de snijbladen in contact kunnen komen met verborgen kabels of het eigen stroomsnoer.** Snijbladen die in contact komen met een kabel "onder spanning" kunnen ervoor zorgen dat blootgestelde metalen onderdelen van het werktuig ook "onder spanning" komen te staan, wat de gebruiker een elektrische schok kan geven.
- **Houd de kabel weg uit het maaibereik.** Tijdens het gebruik kan het snoer door struiken worden verborgen en per ongeluk door het zaagblad worden doorsneden.
- Controleer de haag op vreemde voorwerpen, zoals draadomheiningen.

### BIJKOMENDE VEILIGHEIDSWAARSCHUWINGEN

- Om onbedoeld starten te voorkomen mag u het product nooit dragen met uw vinger aan de gashendel.
- Draag zware, lange broeken, stevige schoenen en goed passende handschoenen. Draag geen korte broek en sandalen en ga nooit op blote voeten.
- Controleer dat de schakelaar in de uit-stand staat voordat u de accu plaatst. Het plaatsen van de accu in het product met de schakelaar aan nodigt uit tot ongevallen.
- Gebruik dit apparaat niet op plekken waar u niet goed

kunt zien. Gebruik het product bij daglicht of bij goed kunstmatig licht.

- Bewaar steeds een stevige houvast en goed evenwicht. Overrek u niet. Rek u niet uit, waardoor u uw evenwicht kunt verliezen. Zorg ervoor dat u altijd stevig vast staat op hellingen. Stap altijd, loop nooit.
- Forceer het product niet. Deze zal beter en veiliger werken aan de snelheid waarvoor ze werd ontworpen.
- Voordat u het product start moet u controleren dat het snijmechanisme niet met iets anders in contact komt. Als het snijmechanisme tegen een vreemde voorwerp aankomt of daarin verstrikt raakt, moet u het product onmiddellijk stoppen, de accu verwijderen en controleren op beschadigingen. Gebruik het apparaat niet met losse of beschadigde onderdelen.
- Controleer op beschadigde onderdelen, de uittijning van bewegende onderdelen, de binding van bewegende onderdelen en een andere toestand die de werking kan beïnvloeden. Voordat u het product verder gebruikt moeten zorgvuldig worden bekeken of er andere onderdelen zijn beschadigd om vast te stellen dat het goed werkt en naar behoren functioneert. Beschadigde onderdelen moeten goed worden gerepareerd of vervangen door een erkend servicecentrum.
- Om het risico op letsel vanwege contact met bewegende onderdelen te verminderen moet u het product altijd stoppen, de accu verwijderen, ervoor dat alle bewegende onderdelen tot stilstand zijn gekomen en het product laten afkoelen voordat u:
  - wanneer u het product onbeheerd achterlaat
  - voor u een blokkering reinigt
  - voor u het product controleert, reinigt of aan het product werkt.
  - het product inspecteert na het raken van een vreemd voorwerp
  - als het product abnormaal begint te trillen
- Houd handen weg van snijbladen. Verwijder geen gesnoeid materiaal of houd geen materiaal dat moet worden gesnoeid vast wanneer de snijbladen bewegen. Zorg ervoor dat de accu wordt verwijderd en de gashendel wordt losgelaten wanneer u verstopt materiaal uit het snijmechanisme haalt. Grijp de blootgestelde zaagbladen of zaagranden niet vast wanneer u het hoofdapparaat optilt of vasthoudt.
- Houd handen, gezicht en voeten op een veilige afstand van de bewegende onderdelen. Probeer de snijmesses niet aan te raken of te stoppen als ze in beweging zijn.
- Stop altijd de motor wanneer het maaien trager gaat of wanneer u van de ene locatie naar de andere loopt.
- Houd het product vrij van gemaaid gras en andere materialen. Deze kunnen vastraken in de snijbladen.
- Bevestig altijd de maaibladbescherming als het product niet wordt gebruikt.
- Dompel het product nooit in water of een andere vloeistof onder en spuit ook nooit water of een andere vloeistof op het product. Houd de handvatten droog, schoon en vrij van afval.
- Transport en opslag
- Gebruik de machine nooit wanneer beschermers



of schilden defect zijn of zonder dat de veiligheidsvoorzieningen zijn gemonteerd.

- Bij een incident of defect moet onmiddellijk de accu worden verwijderd. Gebruik het product niet opnieuw totdat het volledig is gecontroleerd door een erkend onderhoudscentrum.
- Bij het transporteren of opbergen van het product, moet u het product altijd uitrusten met de mesbescherming.
- Reinig het product zorgvuldig voordat u het opbergt. Bewaar het op een droge, goed-geventileerde plek die onbereikbaar is voor kinderen. Houd corrosieve producten, zoals tuinchemicaliën en strooizout uit de buurt van het apparaat.
- Bewaar en laad de accu's op een koele plaats. Temperaturen boven of onder normale kamertemperatuur verkorten de levensduur van de accu.
- Bewaar de accu's nooit in ontladen toestand. Wacht totdat de accu is afgekoeld en laad het direct op.
- Voor transport beveilig u het product tegen bewegen of vallen om lichamelijke letsels of schade aan het product te voorkomen.

#### LITHIUMBATTERIJEN TRANSPORTEREN

De accu's dienen in overeenstemming met de plaatselijk en nationale regelgeving te worden getransporteerd.

Respecteer alle speciale voorwaarden op de verpakking en etikettering wanneer u de accu's door derden laat transporteren. Zorg ervoor dat de accu's tijdens het transport niet in contact komen met andere batterijen of geleidende materialen door blootliggende connectoren met isolerende, niet-geleidende doppen of plakband te beschermen. Transporteer geen accues die lekken of gebarsten zijn. Overleg met het transportbedrijf voor verder advies.

#### ONDERHOUD

##### ⚠ WAARSCHUWING

Gebruik uitsluitend originele vervangonderdelen, accessoires en voorzetstukken van de fabrikant. Als u dit niet doet, kan dit mogelijks letsels of slechte prestaties veroorzaken waardoor uw garantie kan vervallen.

##### ⚠ WAARSCHUWING

Het onderhoud vereist extreme voorzichtigheid en deskundigheid en mag enkel door een gekwalificeerde onderhoudstechnicus worden uitgevoerd. Voor onderhoud brengt u het product naar een geautoriseerd onderhoudscentrum. Gebruik uitsluitend originele vervangonderdelen wanneer u onderhoudswerken aan de machine uitvoert.

- Gebruik handschoenen bij het plegen van onderhoud aan het snijmechanisme.
- Onderhoud het product zorgvuldig. Houd de snijrand scherp en schoon voor de beste prestaties en om het risico op letsel te verminderen. Smeer de accessoires

en vervang ze volgens de voorschriften. Houd de handvatten droog, schoon en vrij van olie en vet.

- Schakel het apparaat uit en verwijder de accu voordat u onderhouds- of reinigingswerkzaamheden uitvoert.
- Reinig na elk gebruik het lichaam en de handvaten van het product met een zachte doek.
- Verwijder na elk gebruik het afval van de bladen met een stijve borstel en breng dan voorzichtig een tegen roest beschermend smeermiddel aan voordat u de bladbescherming weer terugplaatst. De fabrikant raadt aan om een tegen roest beschermende smeerspray te gebruiken om een gelijkmatige laag aan te brengen en om persoonlijk letsel te voorkomen door contact met de bladen. Ga voor informatie over een geschikte spray naar uw plaatselijke bevoegde onderhoudscentrum.
- Vermijd het gebruik van oplosmiddelen wanneer u kunststof onderdelen schoonmaakt. De meeste soorten plastic zijn gevoelig voor schade, veroorzaakt door verschillende soorten commerciële oplosmiddelen en kunnen door hun gebruik worden beschadigd. Gebruik schone doeken om vuil, stof, olie, vet, etc. te verwijderen.
- Zorg er altijd voor dat de ventilatie-openingen vrij blijven van afval.
- Controleer de snijbladen regelmatig op schade en slijtage.
- Gebruik altijd vervangbladen die overeenstemmen met de specificaties van de fabrikant.
- Voor eenvoudiger bediening en een langere levensduur van het mes, moet u de snijmesses voor en na elk gebruik smeren. Voor het smeren moet de accu worden verwijderd en moeten de snijmesses op een vlakke ondergrond worden gelegd. Breng wat machine-olie langs de rand van het bovenste snijblad aan. Breng geen olie aan terwijl het product in bedrijf is.

#### RESTRISICO'S

Zelfs wanneer het product zoals voorgeschreven wordt gebruikt, is het nog steeds onmogelijk om bepaalde restrisico's volledig te elimineren. De volgende gevaren kunnen zich voordoen tijdens het gebruik en de gebruiker dient in het bijzonder aandacht te hebben om de volgende situaties te vermijden:

- Letsels veroorzaakt door trillingen.
  - Houd het product uitsluitend vast aan de handvatten en beperk de bedrijfs- en blootstellingstijd.
- Gehoorschade veroorzaakt door blootstelling aan geluid.
  - Draag gehoorbescherming en beperk de blootstelling.
- verwondingen als gevolg van contact met de maaibladen
  - De zaagbladen kunnen tijdens het zagen niet worden beveiligd. Houd het zaagblad weg van uzelf en anderen. Bevestig altijd de maaibladbescherming als het product niet wordt gebruikt.

EN
FR
DE
ES
IT
<b>NL</b>
PT
DA
SV
FI
NO
RU
PL
CS
HU
RO
LV
LT
ET
HR
SL
SK
BG
UK
TR



## RISICOBEPERKING

Er zijn meldingen dat trillingen van handwerktuigen bij sommige mensen bijdragen tot het Syndroom van Raynaud. Symptomen kunnen ondermeer tintelingen, gevoelloosheid en bleek worden van de vingers omvatten, wat normaal gezien duidelijk wordt bij blootstelling aan koude. Erfelijke factoren, blootstelling aan koude en vocht, dieet, roken en werkroutine kunnen allemaal bijdragen tot de ontwikkeling van deze symptomen. Er kunnen door de bediener maatregelen worden genomen om de gevolgen van de trillingen te beperken:

- Houd bij koud weer uw lichaam warm. Draag handschoenen terwijl u het product gebruikt om de handen en polsen warm te houden. Men neemt aan dat koud weer een belangrijke factor is die bijdraagt tot het Syndroom van Raynaud.
- Doe oefeningen om de bloeddoorstroming te bevorderen na elke periode van gebruik.
- Neem regelmatig een pauze. Beperk het aantal uren dat u per dag wordt blootgesteld.
- Wanneer u enige van de symptomen van deze aandoening ervaart, stop dan onmiddellijk met het gebruik van het toestel en raadpleeg uw dokter

## ⚠ WAARSCHUWING

Letsels kunnen worden veroorzaakt of ernstiger worden door verlengd gebruik van een werktuig. Als u een werktuig gedurende langere periodes gebruikt, neem dan regelmatig pauze.

## KEN UW PRODUCT

Zie pagina 139.

1. Achterste handvat
2. Aan/uit-vergrendelknop
3. Aan-/uit-hendel
4. Grasschaarmes
5. Mesbescherming voor de grasschaar
6. Struikscharmes
7. Mesbescherming voor de struikschaar
8. Accu
9. Batterijvergrendelknop
10. Lader
11. Mesbevestigingsknop
12. Maaibladsteunen
13. Dop voor de rubberen aansluitingspoort

## SYMBOLEN OP HET PRODUCT



Waarschuwing



Lees en begrijp alle instructies voor u het product bedient, volg alle waarschuwingen en veiligheidsinstructies.



Draag gezichtsbescherming.



Draag gehoorbescherming.



Draag zware antislip beschermhandschoenen.



Stel niet bloot aan regen of vocht.



Om ernstige letsels te voorkomen, raakt u de zaagbladen niet aan.



Houd rekening met weggeslingerde of rondvliegende voorwerpen. Houd alle omstanders, in het bijzonder kinderen en huisdieren, op tenminste 15m afstand van het werkgebied.



Let op! Het snijmechanisme blijft lopen nadat de motor is uitgeschakeld.



Elektrisch afval mag niet samen met ander huishoudafval worden weggegooid. Gelieve te recycleren indien de mogelijkheid bestaat. Neem contact op met uw lokaal bestuur of handelaar om advies te krijgen over recyclage.



Dit apparaat voldoet aan alle geldende normen van Lid-Staat van de Europese Unie waar het werd gekocht.



EurAsian-symbool van overeenstemming.



Oekraïens conformiteitsymbool



De gegarandeerde geluidsdruk wordt op dit etiket als zijnde 86 dB.

De volgende kernwoorden en verklaringen zijn bedoeld om de gevare niveaus die op dit toestel betrekking hebben, te verklaren.

**⚠ GEVAAR**

Wijst op een gevaarlijke situatie die, als ze niet wordt voorkomen, dodelijk kan zijn of ernstige verwondingen kan veroorzaken.

**⚠ WAARSCHUWING**

Wijst op een mogelijks gevaarlijke situatie die, als ze niet wordt voorkomen, dodelijk kan zijn of ernstige verwondingen kan veroorzaken.

**⚠ LET OP**

Wijst op een mogelijks gevaarlijke situatie die, als ze niet wordt voorkomen, kleine of middelmatige verwondingen kan veroorzaken.

**LET OP**

Zonder veiligheidswaarschuwingssymbool

Wijst op een situatie die kan leiden tot materiële schade.

**SYMBOLEN IN DEZE GEBRUIKSAANWIJZING**



Onderdelen of accessoires afzonderlijk verkocht



Opmerking



Waarschuwing

Segurança, desempenho e fiabilidade receberam prioridade de topo na concepção da sua tesoura de relva e corta-sebes sem fios.

## USO PREVISTO

A tesoura de relva/podadora de arbustos eléctrica sem fios destina-se a ser utilizada apenas ao ar livre, em áreas bem ventiladas.

O produto foi concebido para uso doméstico.

Quando é utilizado com um acessório de tesoura, o produto destina-se ao aparamento ligeiro de relva e de ervas.

Quando é utilizado com um acessório de poda de arbustos, o produto destina-se ao aparamento ligeiro de arbustos ornamentais, sebes e moitas.

Não a use para nenhuma outra finalidade.

## AVISOS GERAIS DE SEGURANÇA

### ⚠️ ADVERTÊNCIA

Leia todos os avisos de segurança e todas as instruções. O facto de não seguir os avisos e as instruções pode conduzir a choque eléctrico, fogo e/ou lesão grave.

Conserve estas advertências e instruções para que possa consultá-las mais tarde.

O termo "ferramenta eléctrica" nos avisos refere-se à ferramenta operada através de ligação à rede eléctrica (com fios) ou à ferramenta operada através de bateria (sem fios).

### Ambiente de trabalho

- **Mantenha a área de trabalho limpa e bem iluminada.** As áreas desordenadas ou escuras são um convite para acidentes.
- **Não opere ferramentas eléctricas em atmosferas explosivas, tais como na presença de líquidos inflamáveis, gases ou poeira.** As ferramentas eléctricas criam faíscas que podem causar a inflamação de poeiras ou vapores.
- **Ao operar esta ferramenta eléctrica, mantenha as crianças e as pessoas presentes afastadas.** Distrações podem fazer com que perca o controlo.

### Segurança eléctrica

- **As fichas eléctricas da ferramenta têm de corresponder à tomada. Nunca altere a ficha seja de que maneira for. Não use quaisquer fichas adaptadoras com ferramentas de ligação com terra.** As fichas não modificadas e tomadas compatíveis reduzirão o risco de choque eléctrico.
- **Evite o contacto do corpo com superfícies com ligação terra ou enterradas, tais como tubos, radiadores, fogões e frigoríficos.** Há um aumento do risco de choque eléctrico se o seu corpo estiver ligado à terra.
- **Não exponha este produto à chuva ou humidade elevada.** A entrada de água na ferramenta eléctrica aumentará o risco de choque eléctrico.

- **Não abuse do cabo de alimentação. Nunca use o cabo para carregar, puxar ou retirar a ficha da ferramenta da tomada. Mantenha o cabo afastado do calor, óleo, pontas afiadas ou peças móveis.** Os cabos danificados ou emaranhados aumentam o risco de choque eléctrico.
- **Ao operar uma ferramenta eléctrica ao ar livre, use um cabo de extensão apropriado para o uso ao ar livre.** A utilização de um cabo apropriado para o uso ao ar livre reduz o risco de choque eléctrico.
- **Se operar uma ferramenta eléctrica num local húmido é inevitável, use uma fonte com protecção de dispositivo de corrente residual (RCD).** O uso de um RCD reduz o risco de choque eléctrico.

### Segurança pessoal

- **Ao operar esta ferramenta eléctrica, permaneça alerta, tenha em atenção ao que está a fazer e use o bom senso. Não utilize a ferramenta eléctrica quando se sentir cansado ou se se encontrar sob a influência de drogas, álcool ou medicamentos.** Um momento de desatenção enquanto opera estas ferramentas eléctricas pode resultar em ferimentos graves.
  - **Utilizar equipamento de protecção. Use sempre protecção para os olhos.** O equipamento de protecção tal como a máscara contra pó, calçado antiderrapante de segurança, capacete, ou protecção para os ouvidos, usado para condições apropriadas irá reduzir a probabilidade de ferimentos.
  - **Evite o arranque involuntário. Assegure-se de que o interruptor se encontra na posição de desligado antes de o ligar à fonte de energia e/ou bateria, levantando ou transportando a ferramenta.** Transportar ferramentas eléctricas com o seu dedo no interruptor ou ligar à corrente ferramentas eléctricas que têm o interruptor ligado são um convite a acidentes.
  - **Remova qualquer chave de ajuste antes de ligar a ferramenta eléctrica.** Uma chave-inglesa ou uma chave colocada numa peça móvel da ferramenta eléctrica pode causar lesões pessoais.
  - **Não se aproxime em demasia. Fique sempre bem apoiado nas pernas e não estique demasiado o braço.** Isto possibilita um melhor controlo da ferramenta eléctrica em situações inesperadas.
  - **Use roupas adequadas. Não use roupa larga ou acessórios de jóias. Mantenha o seu cabelo, roupa e luvas longe das peças móveis.** A roupa larga, jóias ou cabelo comprido podem ficar presos nas peças móveis.
  - **Se são fornecidos os dispositivos para a ligação de espaços de extracção e recolha de pó, assegure-se de que estes se encontram conectados e usados correctamente.** A utilização de um colectador de pó pode reduzir os perigos relacionados com o pó.
- ### Utilização e manutenção da ferramenta eléctrica
- **Não force o produto. Use a ferramenta eléctrica correcta para a sua aplicação.** A ferramenta fará o seu trabalho melhor e de forma mais segura trabalhando ao ritmo para que foi concebida.



- Não use uma ferramenta caso o interruptor não ligue e desligue a ferramenta eléctrica correctamente. Qualquer ferramenta eléctrica que não possa ser controlada com o interruptor é perigosa e deve ser reparada.
- Desligue a ficha da alimentação eléctrica e/ou a bateria da ferramenta antes de proceder a quaisquer ajustes, substituição de acessórios ou de armazenar a ferramenta. Estas medidas de segurança preventivas reduzem o risco de arranque accidental da ferramenta eléctrica.
- Armazene as ferramentas eléctricas fora do alcance das crianças e não permita que pessoas não familiarizadas com a ferramenta eléctrica ou com estas instruções utilizem a ferramenta eléctrica. As ferramentas eléctricas são perigosas nas mãos de utilizadores inexperientes.
- Realize a manutenção das ferramentas eléctricas. Verifique se existe desalinhamento ou emperramento das peças móveis, ruptura das peças e qualquer outra condição que possa ter afectado o funcionamento da ferramenta eléctrica. Se danificado, mande a ferramenta eléctrica ser reparada antes de a utilizar. Muitos acidentes são causados por ferramentas eléctricas com fracas manutenções.
- Mantenha as ferramentas de corte afiadas e limpas. É menos provável que as ferramentas de corte com uma correcta manutenção e com pontas de corte afiadas fiquem presas e são mais fáceis de controlar.
- Utilize a ferramenta, acessórios, peças eléctricas, etc., de acordo com estas instruções, tendo em conta as condições de trabalho e o trabalho que se vai realizar. O uso da ferramenta eléctrica para as operações diferentes daquelas a que se destina podem causar uma situação perigosa.

#### Utilização e manutenção da bateria

- Recarregue apenas com o carregador especificado pelo fabricante. Um carregador que seja adequado para um tipo de bateria pode causar risco de incêndio, quando utilizado com outra bateria.
- Use ferramentas eléctricas somente com baterias especificamente concebidas. O uso de qualquer outro tipo de bateria pode causar risco de lesões e incêndio.
- Quando a bateria não estiver a ser utilizada, mantenha-a afastada de outros objectos metálicos como cliques de papel, moedas, chaves, pregos, parafusos, ou outros pequenos objectos metálicos que podem fazer a ligação de um terminal para outro. Ligar os terminais da bateria em conjunto pode causar queimaduras ou um incêndio.
- Sob circunstâncias abusivas, o líquido pode ser ejectado da bateria, evite o contacto. Se o contacto ocorrer accidentalmente, limpe com água abundante. Se o líquido entrar em contacto com os olhos, procure adicionalmente assistência médica. O líquido ejectado da bateria pode causar irritação ou queimaduras.

#### Manutenção

- A manutenção da sua ferramenta eléctrica deve ser efectuada por uma pessoa qualificada para reparações, utilizando apenas peças de substituição idênticas. Isto assegurará que a segurança da ferramenta eléctrica é mantida.

### AVISOS DE SEGURANÇA DA TESOURA DE RELVA/PODADORA DE ARBUSTOS

#### ⚠ ADVERTÊNCIA

Os meios de corte continuam a funcionar depois de o motor estar desligado.

#### FORMAÇÃO

- Leia as instruções com atenção. Familiarize-se com os controlos e a utilização adequada do aparelho.
- Nunca deixe que o aparelho seja utilizado por crianças, pessoas com capacidade física, sensorial ou mental reduzida, pessoas sem experiência nem conhecimentos nem pessoas que não estejam familiarizadas com estas instruções. A legislação local pode restringir a idade do operador.
- Mantenha em mente que o operador ou o utilizador é responsável pelos acidentes ou perigos que ocorrem a outras pessoas ou à sua propriedade.

#### PREPARAÇÃO

- Inspeccione o aparelho antes de o usar. Substitua as peças danificadas.
- Desimpeça a área a ser cortada antes de cada utilização. Retire todos os objetos, cabos, luzes, arames ou correntes que possam lançar ou encravar nas partes cortantes.
- Nunca coloque a máquina a funcionar quando pessoas, especialmente crianças ou animais de estimação estão por perto.
- Substitua as lâminas de corte ou quaisquer outras peças que estejam rachadas, lascadas ou danificadas. Certifique-se de que os meios de corte estão correctamente montados e apertados com firmeza. A inobservância desta indicação pode provocar lesões pessoais no operador e espectadores, bem como danificar a unidade.
- Não use o aparelho caso o interruptor não ligue ou desligue o aparelho. Qualquer produto que não possa ser controlado com o interruptor é perigoso e deve ser reparado.
- Desenvolva o hábito de se certificar de que todas as chaves de porcas e outros tipos de chaves de ajuste foram retiradas do produto antes ligar o produto.

#### UTILIZAÇÃO

- Parar reduzir o risco de ferimentos, quando utilizar o produto use sempre protecção completa para os olhos, calçado e roupas.
- Use roupas adequadas. Não use roupas largas nem joalharia, devido ao risco de ficarem presas em peças móveis. É recomendado usar luvas, calçado grosso e



calças compridas quando fizer trabalhos aos ar livre.

- Evite utilizar o aparelho em más condições atmosféricas, especialmente quando houver risco de relâmpago.
- Ligue o motor só quando as mãos e os pés estiverem afastados dos meios de corte.
- Acautele-se contra ferimentos nos pés e nas mãos, causados pelos meios de corte.
- Tenha sempre em atenção aquilo que o rodeia e fique alerta para possíveis perigos que poderá não ouvir devido ao ruído da máquina.
- Nunca tente utilizar um produto incompleto nem um produto com uma modificação não autorizada.

### ALERTAS DE SEGURANÇA DO CORTA-SEBES

- **Mantenha todas as partes do corpo afastadas da lâmina de corte. Não remova o material de corte ou segure o material a ser cortado quando as lâminas se encontram em movimento. Certifique-se que o interruptor está desligado ao libertar material encravado.** Um momento de desatenção enquanto opera o produto pode resultar em ferimentos graves.
- **Transporte o aparador de pontas pela pega com a lâmina de corte parada. Ao transportar ou guardar o aparador de pontas, instale sempre a cobertura do dispositivo de corte.** O manuseamento adequado do aparador de pontas reduzirá as possíveis lesões pessoais causadas pelas lâminas de corte.
- **Segure a ferramenta eléctrica apenas pelas superfícies de agarre isoladas, visto que a lâmina de corte pode entrar em contacto com fios eléctricos escondidos ou com o seu próprio cabo.** As lâminas de corte que entrem em contacto com um cabo com corrente podem fazer com que as peças metálicas da ferramenta eléctrica conectada fiquem expostas, o que poderia provocar um choque eléctrico para o operador.
- **Mantenha o cabo afastado da área de corte.** Durante a operação, o cabo pode ficar escondido em arbustos e pode ser acidentalmente cortado pela lâmina.
- Verifique que não há objetos estranhos nas sebes, tais como arames.

### AVISOS DE SEGURANÇA ADICIONAIS

- Para evitar o arranque acidental, nunca transporte o produto com o dedo no gatilho.
- Use calças compridas de tecido grosso, calçado grosso e luvas que lhe sirvam bem. Não use calções e sandálias, nem ande descalço.
- Antes de montar o conjunto de baterias, certifique-se de que o interruptor está na posição de Desligado. Montar o conjunto de baterias no produto com o interruptor na posição de Ligado é um convite a acidentes.
- Não utilize esta ferramenta numa zona com pouca luz. Utilize o produto à luz do dia ou com uma luz artificial eficaz.
- Mantenha-se bem apoiado e equilibrado. Não se aproxime em demasia. Tentar esticar-se demais pode provocar a perda de equilíbrio. Certifique-se sempre onde põe os pés em sítios inclinados. Ande e nunca

corra.

- Não force o produto. Realizará um trabalho melhor e mais seguro à velocidade para a qual foi concebida.
- Antes de pôr o produto a trabalhar, certifique-se de que os meios de corte não vão entrar em contacto com nada. Se os meios de corte embaterem em objectos estranhos ou ficarem emaranhados em objectos estranhos, desligue o produto imediatamente, desmonte o conjunto de baterias e inspecione o produto, procurando danos. Não opere a unidade com peças desapertadas ou danificadas.
- Inspeccione, verificando se existem peças danificadas, desalinhamento ou prisão das peças móveis, ou quaisquer outras condições que possam afectar o funcionamento. Antes de voltar a usar o produto, inspeccione cuidadosamente outras peças que estejam danificadas, para se certificar de que irão funcionar correctamente e que irão desempenhar as funções a que se destinam. Quaisquer peças danificadas devem ser correctamente reparadas ou substituídas por um centro de assistência autorizado.
- Para reduzir o risco de ferimentos causados pelo contacto com peças em movimento, pare sempre o produto, desmonte o conjunto de baterias, certifique-se de que todas as peças móveis estão paradas e deixe o produto arrefecer, antes de fazer o seguinte:
  - sempre que deixa o aparelho sem vigilância
  - antes de limpar uma obstrução
  - antes de verificar, limpar ou funcionar com o produto
  - inspeccionar o produto depois de embater num objecto estranho
  - se o produto começar a vibrar de forma anormal
- Mantenha as mãos afastadas das lâminas. Não remova o material de corte ou segure o material a ser cortado quando as lâminas se encontram em movimento. Quando for desobstruir materiais encravados nos meios de corte, certifique-se primeiro de que o conjunto das baterias foi desmontado e que o gatilho está libertado. Não agarre as lâminas de corte expostas ou as extremidades de corte ao levantar ou segurar a unidade principal.
- Mantenha as mãos, a cara e os pés afastados das peças móveis, a uma distância segura. Não toque nas lâminas de corte nem tente pará-las quando estiverem em movimento.
- Desligue sempre o motor quando houver uma demora no corte ou quando estiver a andar de um local de corte para outro.
- Mantenha o produto limpo de aparas de relva e de outros materiais. Podem ficar presos nas lâminas de corte.
- Coloque sempre a cobertura da lâmina quando o produto não está a ser usado.
- Nunca mergulhe ou esguiche o aparelho com água ou qualquer outro líquido. Mantenha as pegas secas, limpas e livres de detritos.
- Transporte e armazenamento
- Nunca coloque o aparelho a funcionar com protecções ou defesas defeituosas ou sem dispositivos de





segurança.

- Se houver algum acidente ou alguma avaria, desligue imediatamente o conjunto de baterias e desmonte-o do produto. Não volte a operar o produto enquanto não tiver sido totalmente verificado por um centro de assistência autorizado.
- Quando transportar ou armazenar o produto, aplique sempre a bainha da lâmina no produto.
- Antes de armazenar o produto, limpe-o completamente. Guarde o produto num local seco e bem ventilado que esteja fora do alcance de crianças. Mantenha-o afastado de substâncias corrosivas, tais como produtos químicos utilizados em jardinagem e sais de descongelação.
- Armazene e carregue os conjuntos de baterias num local fresco. Temperaturas acima ou abaixo da temperatura ambiente normal encurtam a vida útil das baterias.
- Nunca armazene os conjuntos de baterias em condição descarregada. Espere até o conjunto das baterias arrefecer e, em seguida, ponha-o imediatamente à carga.
- Para transportar, prenda o aparelho de modo a evitar que este se mova ou caia, para evitar lesões ou danos no produto.

#### TRANSPORTE DE BATERIAS DE LÍTIU

Transporte as baterias em conformidade com as disposições e regulamentos locais e nacionais.

Siga todos os requisitos especiais na embalagem e rótulos ao transportar baterias por um terceiro. Certifique-se de que nenhuma bateria pode entrar em contacto com outras baterias ou materiais condutores durante o transporte protegendo os conectores expostos com tampas ou fita isoladora e não condutora. Não transporte baterias que estejam rachadas ou com fugas. Confirme com a empresa de envio para mais conselhos.

#### MANUTENÇÃO

##### ⚠ ADVERTÊNCIA

Utilize apenas peças de substituição, acessórios e encaixes do fabricante original. A inobservância desta indicação pode causar um fraco desempenho, possíveis lesões e poderá anular a sua garantia.

##### ⚠ ADVERTÊNCIA

Os serviços de manutenção requerem extremo cuidado e conhecimentos e devem apenas ser realizado por um técnico de assistência qualificado. Para operações de serviço, leve o produto a um centro de serviço autorizado. Durante as operações de manutenção, utilize peças de substituição originais do fabricante.

- Use luvas quando fizer manutenção aos meios de corte.
- Mantenha o produto com cuidado. Mantenha as arestas de corte afiadas e limpas, para obter o melhor desempenho possível e para reduzir o risco de

ferimentos. Lubrifique e mude os acessórios segundo as instruções. Mantenha os manípulos secos, limpos e livres de óleo e graxa.

- Antes de fazer quaisquer trabalhos de manutenção ou limpeza ao produto, desligue e desmonte o conjunto de baterias.
- Após cada utilização, limpe a estrutura e as pegas do aparelho com um pano seco e macio.
- Após cada utilização, limpe os detritos das lâminas com uma escova dura e, em seguida, aplique cuidadosamente um lubrificante que previne a ferrugem antes de voltar a colocar o protetor de lâmina. O fabricante recomenda-lhe que utilize um pulverizador lubrificante e preventivo contra ferrugem a aplicar numa distribuição uniforme e reduzir assim o risco de lesões do contacto com as lâminas. Para mais informações sobre o produto pulverizador apropriado, verifique com o seu centro de assistência autorizado local.
- Evite usar solventes ao limpar as peças de plástico. A maioria dos plásticos é susceptível de sofrer danos de vários tipos de solventes comerciais e podem ser danificados pelo seu uso. Use panos limpos para remover a sujidade, a poeira, o óleo, a gordura, etc.
- Assegure-se sempre que as aberturas de ventilação se mantêm desobstruídas de detritos.
- Inspeccione periodicamente as lâminas para verificar se há danos ou desgaste.
- Utilize sempre as lâminas de substituição especificadas pelo fabricante.
- Para maior facilidade de utilização e para prolongar a vida útil das lâminas, lubrifique as lâminas de corte antes e depois de cada utilização. Antes de lubrificar, desmonte o conjunto de baterias e assente as lâminas de corte numa superfície plana e horizontal. Aplique o lubrificante para máquinas de pouco peso ao longo da borda da lâmina superior. Não aplique óleo quando o produto estiver a trabalhar.

#### RISCOS RESIDUAIS:

Mesmo quando se utiliza o produto segundo as instruções, continua a ser impossível eliminar por completo certos fatores de risco residuais. Os seguintes perigos podem surgir na utilização e o operador deve prestar especial atenção para evitar o seguinte:

- Lesões por vibração.
  - Segure o produto pelos cabos destinados para o efeito e limite o tempo de funcionamento e de exposição.
- Danos auditivos causados pela exposição ao ruído.
  - Use proteção para os ouvidos e limite o tempo de exposição.
- dano produzido por contacto com as lâminas
  - As lâminas não podem estar protegidas enquanto estão a cortar. Mantenha a lâmina afastada de si e dos outros. Coloque sempre a cobertura da lâmina quando o produto não está a ser usado.



## REDUÇÃO DO RISCO

Foi reportado que as vibrações das ferramentas de mão podem contribuir para uma doença designada de Síndrome de Raynaud em determinados indivíduos. Os sintomas podem incluir formigamento, entorpecimento e empalidezimento dos dedos, habitualmente visível aquando da exposição ao frio. Estima-se que os factores hereditários, exposição ao frio e humidade, dieta, tabagismo e práticas de trabalho contribuem todos para o desenvolvimento destes sintomas. Existem medidas que podem ser tomadas pelo operador para possivelmente reduzir os efeitos da vibração:

- Mantenha o seu corpo quente durante o tempo frio. Ao operar o produto, use luvas para manter as mãos e os pulsos quentes. Encontra-se reportado que o tempo frio é um grande factor que contribui para o Síndrome de Raynaud.
- Após cada período de operação, exercite para aumentar a circulação sanguínea.
- Faça pausas frequentes no trabalho. Limite o tempo de exposição por dia.
- Caso sinta algum dos sintomas desta doença, interrompa de imediato a sua utilização e consulte o seu médico sobre estes sintomas.

## ⚠ ADVERTÊNCIA

O uso prolongado de uma ferramenta pode causar o agravar lesões. Ao usar qualquer ferramenta durante períodos prolongados, assegure-se que faz intervalos regulares.

## CONHEÇA O SEU APARELHO

Ver a página 139.

1. Pega traseira
2. Botão de bloqueio do gatilho
3. Gatilho
4. Lâmina da tesoura de relva
5. Bainha da lâmina da tesoura de relva
6. Lâmina da podadora de arbustos
7. Bainha da lâmina da podadora de arbustos
8. Bateria
9. Botão de fixação da bateria
10. Carregador
11. Maçaneta de fixação da lâmina
12. Pinos da lâmina
13. Tampa de borracha da tomada

## SÍMBOLOS NO PRODUTO



Aviso



Leia e compreenda todas as instruções antes de manipular o produto, respeite os alertas e as instruções de segurança.



Usar protecção para os olhos.



Use protecção para os ouvidos.



Utilize luvas protectoras antidesslizantes resistentes.



Não o exponha à chuva ou a condições de humidade.



Para prevenir lesões graves, não toque nas lâminas de corte



Tenha cuidado com os objectos voláteis ou lançados. Mantenha todos os espectadores, especialmente crianças e animais de estimação, a pelo menos 15 m da área de funcionamento.



Advertência! Os meios de corte continuam a funcionar depois de o motor estar desligado.



Os aparelhos eléctricos antigos não devem ser eliminados juntamente com o lixo doméstico. Recicle onde existem instalações para o efeito. Verifique com as suas Autoridades Locais ou revendedor para obter informações sobre reciclagem.



Esta ferramenta obedece a todas as normas regulamentares do país da UE onde foi comprada.



Marca de conformidade EurAsian.



Marca de conformidade ucraniana



O nível garantido de potência sonora mostrado neste rótulo é de 86 dB.

As seguintes palavras de sinal e significados destinam-se a explicar os níveis de risco associados a este produto.

**⚠ PERIGO**

Indica uma situação perigosa iminente, que, se não evitada, poderá resultar em morte ou ferimentos graves.

**⚠ ADVERTÊNCIA**

Indica uma situação potencialmente perigosa, que, se não evitada, poderá conduzir à morte ou graves lesões.

**⚠ ADVERTÊNCIA**

Indica uma situação potencialmente perigosa, que, se não evitada, poderá resultar em pequenas ou moderadas lesões.

**ADVERTÊNCIA**

Sem símbolo de alerta de segurança

Indica uma situação que pode resultar em danos de propriedade.

**SÍMBOLOS NESTE MANUAL**



As peças ou acessórios vendem-se separadamente



Nota



Aviso

Sikkerhed, ydelse og driftssikkerhed har fået topprioritet i designet af din ledningsfri græsklipper/busktrimmer.

### TILTÆNKET ANVENDELSESFORMÅL

Den trådløse græssaks/græsklipper er kun beregnet til brug udendørs i et område med god ventilation.

Produktet er beregnet til privat eller hjemlig brug.

Når den bruges med en monteret saks, er produktet beregnet til let trimning af græs og ukrudt.

Når den bruges med en monteret saks, er produktet beregnet til let trimning af buske, hække og lignende beplantning.

Må ikke bruges til andre formål.

### GENERELLE SIKKERHEDSADVARSLER

#### ⚠ ADVARSEL

**Alle sikkerhedsadvarsler og alle anvisninger skal læses.** Manglende overholdelse af advarselne og anvisningerne kan medføre elektrisk stød, brand og/eller alvorlige personskader.

Gen vejledningen med advarsler og anvisninger til senere opslag.

Med udtrykket "elværktøj" i advarselne henvises til dit lysnet-drevne (via ledning) elværktøj eller batteridrevne (ledningsfri) elværktøj.

#### Arbejdsomgivelser

- **Hold arbejdsområdet rent og godt oplyst.** Rodede eller mørke områder inviterer til ulykker.
- **Brug ikke elværktøjer i eksplosive omgivelser som fx i nærheden af brandbar væske, gas eller støv.** Elværktøjer udløser gnister, som kan antænde støvet eller dampene.
- **Der må ikke være børn og tilskuere i nærheden, når et elværktøj anvendes.** Distractioner kan medføre, at du mister kontrollen.

#### Elektrisk sikkerhed

- **Elværktøjets elstik skal passe til elnetkontakten.** Elstikket må aldrig modificeres på nogen som helst måde. Undlad brug af adapterstik til jordede (stelforbundne) elværktøjer. Umodificerede elstik og passende elnetkontakter reducerer faren for elektrisk stød.
- **Undgå kropskontakt med jordede eller stelforbundne overflader som fx rør, radiatorer, komfurer og køleskabe.** Der er forøget risiko for elektrisk stød, hvis din krop er forbundet med jord eller stel.
- **Dette produkt må ikke udsættes for regn eller fugt.** Hvis der trænger vand ind i et elværktøj, øges faren for elektrisk stød.
- **Undlad at misbruge ledningen.** Ledningen må aldrig bruges til at bære eller trække i elværktøjet eller til at trække stikket ud. Ledningen må ikke komme i nærheden af varme, olie, skarpe kanter eller

bevægelige dele. Beskadigede eller sammenfiltrede ledninger øger faren for elektrisk stød.

- **Når et elværktøj anvendes i det fri, skal der bruges en forlængerledning, der er egnet til udendørs brug.** Brug af ledninger beregnet til udendørs brug reducerer faren for elektrisk stød.
- **Hvis man er nødt til at bruge et elværktøj i fugtige omgivelser, skal strømforsyningen have en fejlstrømsafbryder (RCD-afbryder).** Brug af fejlstrømssikring reducerer faren for elektrisk stød.

#### Personlig sikkerhed

- **Når man bruger et elværktøj, skal man være agtpågivende, iagttage hvad man gør og bruge sund fornuft. Undlad at bruge et elværktøj, hvis du er træt eller påvirket af narkotika, alkohol eller medikamenter.** Et øjebliks uopmærksomhed under brug af motoriserede værktøjer kan medføre alvorlige personskader.
- **Brug personlige værnemidler.** Brug altid øjenværn. Værnemidler som fx støvmaske, skridfast sikkerhedsfodtøj, hjelm eller høreværn anvendt korrekt i forhold til de givne forhold reducerer faren for personskader.
- **Forebyg utilsigtet start.** Kontrollér, at kontakten er i pos. OFF (=slukket), inden værktøjet sluttes til strømkilde og/eller batteri, samles op eller bæres. At bære elværktøjer med fingeren på kontakten eller at slutte strøm til elværktøjer med tændt kontakt er at invitere til ulykker.
- **Fjern evt. skruenøgler, inden der tændes for elværktøjet.** En efterladt skruenøgle fastgjort til en roterende del af elværktøjet kan medføre personskader.
- **Overstræk ikke. Sørg for altid at have godt fodfæste og god balance.** Dette giver bedre kontrol over elværktøjet i uventede situationer.
- **Vær ordentligt klædt på. Bær ikke løftsiddende tøj eller smykker. Sørg for, at hår, tøj og handsker ikke kommer i nærheden af bevægelige dele.** Løstsiddende tøj, smykker eller langt hår kan hænge fast i bevægelige dele.
- **Hvis der findes anordninger for tilslutning af støvudsugnings- og -opsamlingsudstyr, skal disse tilsluttes og anvendes korrekt.** Brug af støvopsamling kan reducere støvrelaterede faremomenter.

#### Brug og pleje af elværktøj

- **Undlad at tvinge produktet. Brug elværktøjet til det tiltænkte anvendelsesformål.** Det korrekte elværktøj klarer opgaven bedre og sikrere med den hastighed, det er designet til.
- **Elværktøjet må ikke tages i brug, hvis TÆND/SLUK-kontakten ikke virker.** Et elværktøj, der ikke kan kontrolleres med TÆND/SLUK-kontakten, er farligt og skal repareres.
- **Inden udførelse af justeringer, udskiftning af tilbehør eller opbevaring af elværktøjer skal elstikket trækkes ud af elnetkontakten, og/eller batteriet skal tages ud af elværktøjet.** Disse forebyggende sikkerhedsforanstaltninger reducerer faren for utilsigtet start af elværktøjet.



- Når elværktøjer ikke bruges, skal de opbevares utilgængeligt for børn; personer, som ikke er fortrolige med elværktøjet eller denne brugsanvisning, må ikke anvende elværktøjet. Elværktøjer er farlige i hænderne på ukyndige brugere.
- Elværktøjer skal vedligeholdes. Kontrollér, om der er forkert indjusterede eller forbundne bevægelige dele, afbrækkede dele samt andre tilstande, som kan påvirke elværktøjets funktionsmåde. Hvis der konstateres skader, skal elværktøjet repareres inden brug. Mange ulykker skyldes dårligt vedligeholdte elværktøjer.
- Skærende værktøjer skal holdes skarpe og rene. Korrekt vedligeholdte skærende værktøjer med skarpe skær er mindre tilbøjelige til at binde/blokere og er lettere at kontrollere.
- Brug elværktøjet, tilbehøret og værktøjs-bits osv. som foreskrevet i denne brugsanvisning, og tag højde for arbejdsforholdene og den aktuelle arbejdsopgave. Brug af elværktøjet i strid med de tiltænkte anvendelsesformål kan medføre farlige situationer.

#### Brug og pleje af batteriværktøj

- Opladning må kun finde sted med den af producenten foreskrevne oplader. En oplader, der er beregnet til én type batteri, kan udgøre en brandrisiko, hvis den bruges til en anden batteritype.
- Brug kun elværktøjer sammen med specifikt godkendte batterier. Brug af andre batterityper kan medføre fare for personskade og brand.
- Når batteriet ikke bruges, må det ikke opbevares sammen med metalgenstande som fx papirclips, mønter, nøgler, søm, skruer eller andre metalgenstande, som kan skabe forbindelse mellem batteriets poler. Hvis batteriets poler kortsluttes, kan det forårsage forbrændinger eller ildebrand.
- Hvis batteriet misbruges, kan der sprøjte væske ud af det; undgå kontakt med batterivæsken. Ved kontakt med batterivæsken skylles med vand. Hvis der kommer væske i øjnene, søges desuden læge. Udsprøjtet batterivæske kan forårsage irritation eller forbrændinger.

#### Vedligeholdelse

- Sørg for, at elværktøjet serviceres af en kvalificeret reparatør, som kun benytter sig af originale reservedele. Herved garanteres sikkerheden for elproduktet.

### SIKKERHEDSADVARSLER GRÆSSAKS/KLIPPER

#### ADVARSEL

Vær opmærksom på, at skæreorganet fortsætter med at køre, efter motoren er slukket.

#### UDDANNELSE

- Læs brugsanvisningen omhyggeligt. Sørg for at blive fortrolig med betjeningselementerne samt korrekt brug af produktet.

- Produktet må aldrig benyttes af børn, personer med begrænsede fysiske, sensoriske eller mentale evner eller manglende erfaring og viden, eller af folk, der ikke er fortrolige med denne brugsanvisning. Lokale love kan have indflydelse på den tilladte brugerage.
- Husk det er brugeren selv der er ansvarlig for ulykker eller farer andre folk bliver udsat for.

#### FORBEREDELSE

- Husk at inspicere produktet inden brug. Udskift evt. beskadigede dele.
- Ryd altid det område, der skal klippes, inden brug. Fjern alle objekter som fx ledninger, lamper, kabler eller snore, som kan blive udslyngt eller viklet ind i knivene.
- Brug aldrig maskinen, når der er personer, især børn, eller dyr i nærheden.
- Udskift knive eller andre dele, som er revnede, krakelerede eller ødelagte. Sørg for, at skæreorganet er ordentligt monteret og sikkert fastgjort. Gør man ikke det, er der fare for personskader for både operatør og tilskuere foruden skader på produktet.
- Undlad at bruge produktet, hvis TÆND/SLUK-kontakten ikke virker. Et produkt, som ikke kan betjenes med TÆND/SLUK-kontakten, er farligt og skal repareres.
- Det er en god vane at tjekke for at se, om nøgler og skruenøgler er fjernet fra produktet, før det tændes.

#### VEKSELSTRØM

- Bær altid beskyttelsesbriller, fodtøj og tøj, når produktet anvendes, for at reducere risikoen for kvæstelse.
- Vær ordentligt klædt på. Bær aldrig løstsiddende tøj eller smykker; det kan blive fanget i bevægelige dele. Brug af handsker, ordentligt fodtøj og lange bukser anbefales, når man arbejder uendørs.
- Undlad at bruge produktet i dårligt vejr, især hvis der er fare for lynnedslag.
- Tænd kun for motoren, når hænder og fødder er væk fra skæreorganet.
- Pas på ikke at kvæste fødder og hænder på skæreorganet.
- Vær altid opmærksom på omgivelserne, og vær årvågen over for mulige faremomenter, som du måske ikke kan høre pga. støjen fra maskinen.
- Forsøg aldrig at bruge et ukomplet produkt eller et produkt, der er ændret uden godkendelse.

### SIKKERHEDSADVARSLER VEDR. HÆKKEKLIPPEREN

- Hold alle legemsdele på afstand af kniven. Forsøg ikke at fjerne afklippet materiale eller holde om materiale, der skal klippes, mens knivene er i bevægelse. Kontrollér, at kontakten er slukket, når du fjerner fastsiddende materiale. Et øjeblik uopmærksomhed under anvendelse af produktet kan medføre alvorlige personskader.
- Bær hækkeklipperen i håndtaget, mens kniven er standset. Når hækkeklipperen transporteres eller opbevares, skal man altid påsætte skeden. Korrekt håndtering af hækkeklipperen nedsætter faren for





personskader i forbindelse med knivene.

- **Elværktøjet må kun holdes i de isolerede gribeblade, da kniven kan komme i kontakt med skjulte ledninger eller sin egen elledning.** Klinger, som kommer i kontakt med en strømførende ledning, kan gøre udsatte metaldele på elværktøjet strømførende og kan give operatøren elektrisk stød.
- **Hold kablet på afstand af skæreområdet.** Under arbejdet kan kablet gemme sig i buskadsset, og man kan komme til at klippe det over med kniven.
- Kontrollér hækken for fremmedlegemer som fx ståltrådshegn.

## EKSTRA SIKKERHEDSADVARSLER

- Bær aldrig produkt med din finger på udløseren for at undgå at komme til at starte ved et uheld.
- Bær tunge, lange bukser, ordentligt fodtøj og velsiddende handsker. Bær ikke korte bukser, sandaler, og gå ikke barfodet.
- Sørg for, at kontakten er i slukket position, før batteriet indsættes. Indsættelse af batteriet i produktet med kontakten tændt fremprovokerer ulykker.
- Må ikke anvendes under dårlige lysforhold. Anvend produktet i dagslys eller godt kunstigt lys.
- Hold et godt fodfæste og balance. Overstræk ikke. Overstrækning kan føre til tab af balancen. Sørg altid for at have godt fodfæste på skråninger. Gå, løb aldrig.
- Undlad at tvinge produktet. Produktet klarer opgaven bedre og sikrere med den hastighed, det er beregnet til.
- Før produktet startes, skal man sørge for, at skæreorganet ikke kommer i kontakt med noget. Hvis skæreorganet slår imod eller bliver viklet ind i fremmedelementer, stoppes produktet straks, batteriet fjernes, og der tjekkes for skader. Brug ikke produktet med løse eller beskadigede dele.
- Kontrollér for beskadigede dele, afstemning af bevægelige dele, sammenbinding af bevægelige dele og andre forhold, der kan påvirke driften. Før yderligere brug af produktet, bør andre dele der er beskadigede tjekkes omhyggeligt for at afgøre, om det vil fungere ordentligt og udføre dets beregnede funktion. Beskadigede dele bør blive ordentligt repareret eller udskiftet af et autoriseret servicecenter.
- For at reducere risikoen for tilskadekomst i forbindelse med bevægelige dele, skal du altid standse produktet og fjerne batteriet. Sørg for, at alle bevægelige dele er standset helt, og lad produktet køle ned før:
  - når produktet efterlades uden opsyn
  - inden fjernelse af en blokering
  - inden kontrol, rengøring eller arbejde på produktet
  - inspicering af produktet efter et fremmedelement er ramt
  - hvis produktet begynder at vibrere unormalt
- Hold hænderne på afstand af knivene. Forsøg ikke at fjerne afklippede materiale eller holde om materiale, der skal klippes, mens knivene er i bevægelse. Sørg for, at batteriet fjernes, og at udløseren er trykket ned ved rengøring af fastklemt materiale fra skæreorganet. Tag ikke fat i de blottede klippekniive eller ægge, når hovedenheden samles op eller holdes.

- Hold hænder, ansigt og fødder på sikker afstand fra de bevægelige dele. Rør ikke, og stop ikke klingerne, når de bevæger sig.
- Stop altid motoren, når skæring er forsinket, eller når man går fra et sted til et andet.
- Hold produktet fri for græs og andre materialer. De kan sætte sig fast i knivene.
- Husk altid at montere knivskærmen, når produktet ikke anvendes.
- Produktet må aldrig overhældes eller oversprøjtes med vand eller andre væsker. Hold håndtagene tørre, rene og fri for forureninger.
- Transport og opbevaring
- Brug aldrig produktet med defekte skærme, eller skjolde, eller uden påmonteret sikkerhedsudstyr.
- Afbryd og fjern straks batteriet i tilfælde af en ulykke eller et nedbrud. Betjen ikke produktet igen, før det er blevet kontrolleret fuldstændigt af et godkendt servicecenter.
- Ved transport eller opbevaring af produktet skal produktet altid tilpasses med klingehylsteret.
- Gør produktet grundigt rent før opbevaring. Opbevar produktet et køligt, tørt og godt ventileret sted, hvor der ikke er adgang for børn. Opbevar motorsaven på afstand af ætsende midler som f.eks. havekemikalier og optøningssalt.
- Opbevar, og oplad batteriet på et køligt sted. Temperaturer over eller under normal stuetemperatur vil forkorte batteriets levetid.
- Opbevar aldrig batterier i uopladet tilstand. Vent på, at batteriet køler af, og oplad straks.
- Til transport skal man sikre produktet, så den ikke kan bevæge sig eller vælte; dette for at forebygge personskader eller skader på produktet.

## TRANSPORT AF LITHIUM-BATTERIER

Batterier skal transporteres i henhold til lokale og nationale forskrifter og love.

Når batterier skal transporteres af tredjepart, skal alle specielle krav til emballering og mærkning efterleves. Man skal sikre sig, at ingen batterier kan komme i kontakt med andre batterier eller ledende materialer under transporten ved at beskytte blottede konnektorer med isolerende, ikke-ledende hætter eller tape. Undlad at transportere batterier med revner eller utætheder. Rådfør dig desuden hos speditøren.

## VEDLIGEHOJDELSE

### ⚠ ADVARSEL

Brug kun originale reservedele, ekstraudstyr og tilbehør fra producenten. I modsat fald er der fare for personskader, dårlig maskinydelse og annullering af garantien.



### ADVARSEL

Vedligeholdelse kræver stor omhyggelighed og viden og kun bør udføres af en kvalificeret tekniker. Servicing af produktet skal ske på et autoriseret servicecenter. Brug kun originale reservedele fra maskinproducenten i forbindelse med servicearbejde.

- Brug handsker, når skæreorganet vedligeholdes.
- Produktet skal vedligeholdes med omhu. Hold skærekanten skarp og ren for den bedste ydeevne og for at reducere risikoen for tilskadekomst. Følg vejledningen for smøring og udskiftning af tilbehørsdele. Hold håndtagene tørre, rene og fri for olie og fedt.
- Sluk produktet og fjern batteripakken, inden der udføres vedligeholdelses- eller rengøringsarbejde.
- Produktlegemet og -håndtagene skal rengøres med en blød klud efter hver brug.
- Efter hver brug skal man fjerne affald fra knivene med en stiv børste og derefter forsigtigt påføre rustbeskyttelsesmiddel, inden man genmonterer knivbeskytteren. Producenten anbefaler, at man bruger en rustbeskyttende smøremiddelspray, som fordeles jævnt og reducerer faren for personskaade som følge af kontakt med knivene. For information mht. passende sprayprodukt henvises til det lokale autoriserede servicecenter.
- Undgå brug af opløsningsmidler til rengøring af plastdele. De fleste typer plastic kan tage skade ved brug af forskellige opløsemidler. Snavs, støv, olie, fedt, mv., fjernes med rene klude.
- Sørg altid for, at ventilationsåbningerne er fri for affald.
- Inspecér med jævne mellemrum knivene for skader og slitage.
- Brug altid de af producenten specificerede knive.
- For nemmere betjening og længere klingelevetid smøres klingerne før og efter brug. Før smøring fjernes batteriet, og klingerne lægges på en flad overflade. Kom letvægts-maskinsolie langs kanten af overkniven. Anvend ikke olie, når produktet kører.

### UUNDGÅELIGE RISICI

Selv om produktet anvendes som foreskrevet, er det stadig umuligt at eliminere visse uundgåelige risikofaktorer fuldstændigt. Følgende risici kan opstå under brug, og operatøren bør være særligt opmærksom for at undgå følgende:

- Personskader forårsaget af vibration.
  - Hold produktet i de hertil indrettede håndtag, og begræns arbejdstiden og eksponeringen.
- Fare for høreskader som følge af eksponering til støj.
  - Benyt høreværn, og begræns eksponering.
- personskaade pga. kontakt med knivene
  - Knivene kan ikke beskyttes, mens der skæres. Kniven skal holdes på afstand af én selv og andre. Husk altid at montere knivskærmen, når produktet ikke anvendes.

### RISIKOREDUKTION

Der er rapporteret om, at vibrationer fra håndholdte værktøjer kan være medvirkende til en lidelse kaldet Raynauds syndrom hos visse personer. Symptomerne herpå kan være prikken, følelsesløshed og blegning af fingrene, der normalt viser sig ved kuldepåvirkning. Faktorer som arvelighed, udsættelse for kulde og fugt, kost, rygning og arbejdsvaner menes alle at medvirke til udviklingen af disse symptomer. Der findes forholdsregler, som operatøren kan træffe for at begrænse påvirkningen fra vibrationer:

- Hold kroppen varm i koldt vejr. Brug handsker, så hænder og vriste holdes varme under arbejdet. Der er rapporteret om, at koldt vejr er en væsentlig faktor til Raynauds syndrom.
- Motionér efter hver arbejdsperiode for at øge blodcirkulationen.
- Hold hyppige arbejdspauser. Begræns eksponeringen for vibrationer pr. dag.
- Hvis du mærker nogen af symptomerne på denne tilstand, skal du straks ophøre med arbejdet og søge læge.

### ADVARSEL

Længere tids brug af et værktøj kan forårsage - eller forværre - personskaader. Når man bruger et værktøj i længere perioder ad gangen, skal man huske at holde hyppige pauser.

### KEND PRODUKTET

Se side 139.

1. Baghåndtag
2. Udløser-låseknop
3. Udløser
4. Klinge græskniv
5. Klingehylster græskniv
6. Buskklipperklinge
7. Hylster buskklipperklinge
8. Batteri
9. Batteri-låseknop
10. Oplader
11. Greb klingsikring
12. Knivbjælke
13. Låg gummifatning

### SYMBOLER PÅ PRODUKTET



Sikkerheds Varsel



Alle vejledninger skal læses og forstås, inden produktet benyttes; følg alle advarsler og sikkerhedsinstrukser.



Benyt øjenværn.



Bær høreværn.



Brug friktionsfri, kraftige beskyttelseshandsker.



Må ikke udsættes for regn eller bruges på fugtige steder.



For at undgå alvorlige personskader må man ikke røre knivene.



Pas på udslyngede eller flyvende objekter. Sørg for, at tilskuere (især børn og dyr) er mindst 15 m fra arbejdsområdet.



Pas på! Vær opmærksom på, at skæreorganet fortsætter med at køre, efter motoren er slukket.



Elektriske affaldsprodukter bør ikke afskaffes sammen med husholdningsaffald. Genbrug venligst hvor faciliteterne tillader dette. Tjek med din lokale kommune eller forhandler for genbrugsråd.



Dette redskab overholder alle lovkrav og standarder i det EU-land, hvor det er købt.



EurAsian overensstemmelsesmærke.



Ukrainsk overensstemmelsesmærke



Det garanterede lydtryksniveau vist på denne mærkat er 86 dB.

De følgende ikoner og betydninger er beregnet til at forklare risikoen involveret i at anvende denne enhed.

**FARE**

Indikerer en meget farlig situation, som hvis ikke undgås, kan føre til alvorlige skader og i værste fald døden.

**ADVARSEL**

Indikerer en potentielt farlig situation, som hvis ikke undgås, kan føre til alvorlige skader og i værste fald døden.

**PAS PÅ**

Indikerer en potentielt farlig situation, som hvis ikke undgås, kan føre til mindre eller moderate skader.

**PAS PÅ**

Uden sikkerhedsadvarselssymbol

Indikerer en situation, som kan medføre materiel skade.

**SYMBOLER I DENNE BRUGSANVISNING**



Dele eller tilbehør, der sælges separat



Bemærk



Advarsel



Säkerhet, prestanda och pålitlighet har varit högsta prioritet vid design av din sladdfria gräsmalare/kvavn.

## ANVÄNDNINGSSOMRÅDE

Den sladdlösa grässaxen/busksaxen är endast avsedd för användning utomhus på en väl ventilerad plats.

Produkten är avsedd för hemma- eller privat bruk.

När ett klippstillbehör används är produkten avsedd för lättare trimning av gräs och ogräs.

När ett skärtillbehör används är produkten avsedd för lättare trimning av häckar och buskar.

Får ej användas för annat ändamål.

## ALLMÄNNA SÄKERHETSFÖRESKRIFTER

### ⚠ VARNING

Läs alla säkerhetsvarningar och alla instruktioner. Om du inte följer varningarna och anvisningarna kan du orsaka elektrisk stöt, brand och allvarlig skada.

Spara dessa varningar och instruktioner för senare behov.

Termen "kraftverktyg" i varningarna hänvisar till ditt eldrivna (med sladd) verktyg eller ditt batteridrivna (utan sladd) verktyg.

### Arbetsmiljö

- **Håll arbetsområdet rent och välupplyst.** Oordnade och mörka områden inbjuder till olyckor.
- **Använd inte kraftverktyg i explosiva atmosfärer, exempelvis i närheten av brännbara vätskor, gaser eller damm.** Kraftverktyg ger upphov till gnistor vilka kan antända damm eller ångor.
- **Håll barn och åskådare borta när du använder ett kraftverktyg.** Distractioner kan få dig att tappa kontrollen.

### Elsäkerhet

- **Kraftverktygets kontakt måste matcha uttaget. Modifiera inte kontakten på något sätt. Använd inga adapterkontakter med jordade kraftverktyg.** Omodifierade kontakter och matchande uttag minskar risken för elektrisk stöt.
- **Undvik kroppskontakt med jordade ytor, som exempelvis rör, element, spis och kylskåp.** Det föreligger en förhöjd risk för elektrisk stöt om din kropp är jordad.
- **Exponera inte produkten för regn eller våta förhållanden.** Vatten som tränger in i ett kraftverktyg ökar risken för elektrisk stöt.
- **Misshandla inte sladden. Använd aldrig sladden för att bära, dra eller koppla bort kraftverktyget.** Håll sladden borta från värme, olja, vassa kanter och rörliga delar. Skadade eller intrasslade elsladdar ökar risken för elektrisk stöt.
- **Använd en förlängningsladd avsedd för utomhusbruk när du använder kraftverktyget utomhus.** Användning av en sladd lämplig för

utomhusbruk minskar risken för elektrisk stöt.

- **Använd en jordfelsbrytare om det är oundvikligt att använda ett kraftverktyg i en fuktig miljö.** Användningen av en jordfelsbrytare minskar risken för elektrisk stöt.

### Personlig säkerhet

- **Var uppmärksam på vad du gör och använd sunt förnuft när du använder ett kraftverktyg. Använd inte ett kraftverktyg när du är trött eller påverkad av droger, alkohol eller mediciner.** Ett ögonblicks ouppmärksamhet när du använder kraftverktyg kan orsaka allvarlig personskada.
- **Använd skyddsutrustning. Bär alltid ögonskydd.** Skyddsutrustning, som exempelvis andningsskydd, halkskyddade säkerhetsskor, huvudskydd och hörselskydd minskar i tillämpliga fall risken för personskador.
- **Förhindra oavsiktlig start. Säkerställ att strömbrytaren är i av-läge innan du ansluter till uttaget och/eller batteripacket, innan du lyfter upp verktyget och innan du bär det.** Att bära kraftverktyg med fingret på avtryckaren eller kraftverktyg som är igång bjuder in olyckor.
- **Ta bort eventuella justerings- eller skiftnycklar innan du startar kraftverktyget.** En skiftnyckel eller justeringsnyckel som lämnas kvar i en roterande del av kraftverktyget kan orsaka personskada.
- **Sträck dig inte. Ha alltid ett bra fotfäste och en god balans.** Det ger dig bättre kontroll över kraftverktyget i oväntade situationer.
- **Klä dig korrekt. Använd inte löst åtsittande kläder eller smycken. Håll ditt hår, dina kläder och handskar borta från rörliga delar.** Lösliggande kläder, smycken och långt hår kan fastna i rörliga delar.
- **Om några uppsamlingsenheter för damm och avfall medföljer ska dessa vara anslutna och användas på ett korrekt sätt.** Användningen av en dammuppsamlare kan minska dammrelaterade faror.

### Använd och ta hand om kraftverktyget

- **Tvinga inte produkten. Använd rätt kraftverktyg för ditt jobb.** Rätt kraftverktyg gör jobbet bättre och säkrare om det används i den takt som det är designat för.
- **Använd inte kraftverktyget om strömbrytaren inte fungerar för att stänga av och sätta på verktyget.** Alla kraftverktyg som inte kan kontrolleras med strömbrytaren är farliga och måste repareras.
- **Koppla bort kontakten från uttaget och/eller ta bort batteripacket från kraftverktyget innan du utför några justeringar, byter ut tillbehör eller förvarar kraftverktyget.** Sådana förebyggande åtgärder minskar risken för att kraftverktyget startar oavsiktligt.
- **Förvara avstängda kraftverktyg utom räckhåll för barn och låt inte personer som är obekanta med kraftverktyg, eller dessa instruktioner, använda kraftverktyget.** Kraftverktyg är farliga i händerna på otränade användare.
- **Underhåll dina kraftverktyg. Kontrollera så att**

inga rörliga delar är felinriktade eller sitter fast, att inga delar har gått sönder samt att ingenting annat föreligger som kan påverka kraftverktygets användning. Reparera kraftverktyget innan användning om det är skadat. Många olyckor uppstår på grund av dåligt underhållna kraftverktyg.

- **Håll skärverktyg vassa och rena.** Korrekt underhållna skärverktyg med vassa skärkanter fastnar inte lika lätt och är lättare att kontrollera.
- **Använd kraftverktyget, tillbehören och borrspetsar etc. i enlighet med dessa anvisningar och ta hänsyn till arbetsförhållanden och det jobb som ska utföras.** Användning av kraftverktyget till andra saker än det är avsett för kan resultera i en farlig situation.

#### Användning och underhåll av batteriet

- **Använd endast den batteriladdare som tillverkaren rekommenderar.** En batteriladdare som passar en typ av batteripack kan vara en brandfara om den används med en annan typ av batteripack.
- **Använd eldrivna verktyg med batteripaket som är speciellt utformade för användning tillsammans med produkterna.** Om du använder andra batteripaket ökar du risken för skador och brand.
- **När batteripaketet inte används ska det hållas bort från metallföremål som gem, mynt, nycklar, spikar, skruvar och andra små metallföremål som kan kortsluta batteriets kontakter.** Vid kortslutning av batteriets kontakter finns det risk för brännskador eller brand.
- **Vätska kan läcka ut från batteripacket vid felaktig användning; undvik kontakt med vätskan. Spola med vatten om du kommer i kontakt med den.** Uppsök omedelbart läkarhjälp om du får vätska i ögonen. Den kan orsaka irritation och brännskador.

#### Underhåll

- **Låt en kvalificerad serviceperson serva ditt kraftverktyg med identiska utbytesdelar.** Detta säkerställer att kraftverktygets säkerhet bibehålls.

### SÄKERHETSVARNINGAR FÖR GRÄSSAX/ BUSKSAX

#### ⚠ VARNING

Skärenheten fortsätter att köra efter att motorn har stängts av.

#### UTBILDNING

- Läs igenom instruktionerna noga. Bekanta dig med reglagen och rätt användning av produkten.
- Se till att barn eller personer med nedsatt fysisk eller psykisk förmåga, eller personer som inte är erfarna eller inte bekanta med dessa instruktioner aldrig använder produkten. Lokala regler kan åldersbegränsa användningen av gräsklipparen.
- Kom ihåg att användaren är ansvarig för olyckor och faror som uppstår för andra människor och deras egendom.

#### FÖRBEREDELSE

- Se över produkten före användning. Byt ut alla skadade delar.
- Rensa området som ska klippas innan användningen. Ta bort alla föremål som kablar, lampor, rep eller trädar som kan trasslas in i skärklingan.
- Använd aldrig maskinen i närheten av människor, speciellt barn, eller husdjur.
- Byt ut skärklingan eller andra delar som har spruckit, gått sönder eller skadats. Kontrollera att skärenheten är korrekt installerad och ordentligt fastsatt. Om så sker kan det leda till personskada på användaren eller åskådare och även skada enheten.
- Använd inte produkten om reglaget för av och på inte fungerar. En produkt som inte kan styras med strömbrytaren är farlig och ska repareras.
- Ha som vana att kontrollera att inställningsverktyg och skiftnycklar är borttagna från produkten före du startar den.

#### ANVÄNDNING

- För att minska olycksrisken, bär alltid fullständiga ögonskydd, skor och kläder när du använder produkten.
- Klä dig korrekt. Bär inte lösa kläder eller smycken, de kan fastna i rörliga delar. Användningen av handskar, tåliga skor och långa byxor rekommenderas vid arbete utomhus.
- Använd inte produkten i dåligt väder, speciellt inte om det finns risk för åskoväder.
- Starta endast motorn när händer och fötter är borta från skärenheten.
- Förhindra skador på fötter och händer till följd av skärenheten.
- Var uppmärksam på omgivningen och var beredd på plötsliga faror som inte hörs på grund av ljudet från maskinen.
- Försök aldrig att använda en ofullständig produkt eller en produkt som modifierats på ej auktoriserat sätt.

### SÄKERHETSFÖRESKRIFTER FÖR HÄCKSAX

- **Se till att alla delar av kroppen hålls på avstånd från skärklingan. Ta inte bort avskuret material och håll inte i material som ska skäras då klingan är i rörelse. Se till att strömbrytaren är avslagen då intrasslat material tas bort.** Ett ögonblick av bristande uppmärksamhet vid användning av produkten kan innebära risk för allvarig personskada.
- **Bär häcksaxen i handtaget när skärklingan är helt stoppad. Vid transport och förvaring av häcksaxen ska alltid skyddet träs på skärklingan.** Korrekt hantering av häcksaxen kommer att minska risken för personskada från skärklingan.
- **Håll enbart i elverktygets isolerade handtag eftersom skärklingan kan komma i kontakt med "aktiva" ledningar eller sin egen kabel.** Om klingan kommer i kontakt med "aktiv" ledning kan metalldelar exponeras och ge användaren en elektrisk stöt.
- **Håll sladdarna borta från skärområdet.** Vid användning kan kabeln döljas i buskage och av misstag

skäras av.

- Kontrollera häcken avseende främmande föremål som t.ex. trädstaket etc.

#### YTTERLIGARE SÄKERHETSFÖRESKRIFTER

- För att förhindra oavsiktlig start, bär aldrig produkten med dina fingrar på reglaget.
- Bär tunga, långa byxor, tåliga skor och välsittande handskar. Bär inte korta byxor eller sandaler, gå inte heller barfota.
- Se till att brytaren befinner sig i läget AV före du sätter i batteripaketet. Att sätta i batteripaketet i produkten med brytaren i läget PÅ ökar risken för olyckor.
- Använd endast i god belysning. Använd produkten i dagsljus eller bra konstgjort ljus.
- Bibehåll ett bra fotfäste och bra balans. Sträck dig inte. Att sträcka sig kan resultera i balansförlust. Se till att du har ordentligt fotfäste i lutningar. Gå. Spring aldrig.
- Tvinga inte produkten. Verktyget fungerar bäst och mest effektivt om du jobbar i den takt som det är avsett för.
- Före du startar produkten, se till att skärenheten inte kommer i kontakt med något. Om skärenheten kolliderar eller trasslar in sig i främmande föremål, stanna produkten omedelbart, ta bort batteripaketet och kontrollera efter skador. Använd inte enheten om det finns lösa eller skadade delar.
- Kontrollera efter skadade delar, inriktning av rörliga delar, bindning av rörliga delar och om det föreligger någon annan omständighet som kan påverka driften. Före ytterligare drift av produkten, bör andra skadade delar kontrolleras noggrant för att avgöra om de fungerar korrekt och kan uppfylla sin avsedda funktion. Alla skadade delar måste repareras på korrekt sätt eller bytas ut på en auktoriserad serviceverkstad.
- För att minska olycksrisken i samband med kontakt med rörliga delar, stanna alltid produkten, ta bort batteripaketet, se till att alla rörliga delar stannat och låt produkten svalna innan:
  - när du lämnar produkten utan tillsyn
  - innan du rengör en blockerad del
  - före kontroll av, rengöring av eller arbete med produkten
  - inspektering av produkten efter kollision med ett främmande föremål
  - när maskinen börjar vibrera onormalt
- Håll händerna borta från bladen. Ta inte bort avskuret material och håll inte i material som ska skäras då klingan är i rörelse. Se till att batteripaketet är uttaget och att reglaget är utsläppt vid rensning av fastnat material från skärenheten. Ta inte tag i den synliga delen av sågbladen eller sågdelarna när du lyfter upp eller håller maskinen.
- Håll händer, ansikte och fötter på säkert avstånd från de rörliga delarna. Rör inte eller försök att stanna skärbladen när de rör sig.
- Stanna alltid motorn när skärning är försenad eller när du går från en skärplats till en annan.
- Håll produkten ren från gräs och andra material. De kan

fastna i skärklingan.

- Se till att bladskyddet alltid sitter på då produkten inte används.
- Spola eller duscha aldrig produkten med vatten eller någon annan vätska. Se till att handtagen är torra, rena och fria från skräp.
- Transport och förvaring
- Använd aldrig verktyget med defekta skydd eller utan att säkerhetsanordningarna är på plats.
- Slå omedelbart av enheten och avlägsna batteripaketet vid ett olycksfall eller om enheten inte fungerar. Använd inte produkten igen innan den har kontrollerats i sin helhet av en auktoriserad serviceverkstad.
- Vid transport eller förvaring av produkten, placera alltid bladet i fodralet.
- Rengör produkten grundligt före förvaring. Förvara produkten på en torr, ventilerad plats som är oåtkomlig för barn. Förvara på avstånd från frätande medel, t.ex. trädgårdskemikalier och vägsalt.
- Förvara och ladda batteripaketet på en sval plats. Temperaturer över eller under normal rumstemperatur förkortar batteriets livslängd.
- Förvara aldrig batteripaketet i ett urladdat tillstånd. Vänta tills batteripaketet har svalnat och ladda sedan omedelbart.
- Vid transport ska produkten säkras mot rörelser eller fallande för att förhindra personskador eller att produkten skadas.

#### TRANSPORTERA LITIUMBATTERIER

Transportera batterier enligt lokala och nationella riktlinjer och regleringar.

Följ alla särskilda krav på förpackning och etikettering vid transport av batterier som utförs av tredje part. Se till att inga batterier kan komma i kontakt med andra batterier eller ledande material under transporten genom att skydda exponerade kontaktytor med isolerande, icke ledande överdrag eller tejp. Transportera aldrig batterier som har spruckit eller som läcker. Kontrollera med det transporterande företaget för vidare rådgivning.

#### UNDERHÅLL

##### ⚠ VARNING

Använd enbart ersättningsdelar och tillbehör från tillverkaren. Om inte kan det eventuellt orsaka skador, sämre resultat och kan upphäva garantin.

##### ⚠ VARNING

Att serva produkten kräver extrem försiktighet och kunskap och bör endast utföras av en kvalificerad servicetekniker. Vid service ska produkten lämnas till auktoriserat servicecenter. Under servicearbete ska enbart tillverkarens originaltillbehör användas.

- Använd handskar vid hanteringen av skärenheten.
- Underhåll maskinen noga. Håll skärkanten vass och ren

för bästa prestanda och för att minska olycksrisken. Följ instruktionerna för smörjning av, och byte av, tillbehör. Håll handtagen torra, rena och fria från olja och fett.

- Slå från och ta bort batterierna innan du utför något underhålls- eller rengöringsarbete.
- Efter varje användning ska produktens yttre och handtag rengöras med en torr, mjuk trasa.
- Efter varje användning ska skräp rensas bort från bladen med en styv borste, rostskyddsmedel appliceras och bladskyddet fästas på nytt. Tillverkaren rekommenderar användning av rostskyddsmedel i sprayform för jämn fördelning och mindre skaderisk vid kontakt med bladen. Information om lämpligt rostskyddsspray finns hos auktoriserat servicecenter.
- Undvik att använda lösningsmedel vid rengöring av plastdelar. De flesta plasterna är mottagliga för skador från olika varianter av kommersiella lösningsmedel och kan skadas om sådana används. Använd en ren och torr trasa för att avlägsna smuts, damm, olja, fett, osv.
- Säkerställ alltid att ventilationshålen är öppna och fria från smuts.
- Inspektera knivbladenregelbundet avseende skador och slitage.
- Använd alltid tillverkarens specificerade utbytesblad.
- För lättare drift och längre bladlivslängd, smörj skärbladen före och efter användning. Före smörjning, ta bort batteripaketet och lägg skärbladen på en plan yta. Applicera lätt maskinsmörjmedel längs toppknivens egg. Tillsätt inte olja när produkten är igång.

## KVARSTÅENDE RISKER

Även om produkten används enligt instruktionerna går det inte att eliminera alla eventuella riskfaktorer. Följande risker kan uppkomma under bruk och användaren ska vara extra uppmärksam för att undvika följande:

- Skada orsakad av vibration.
  - Håll produkten i de avsedda handtagen och begränsa arbetstid och exponering.
- Hörselskada orsakad av oljud.
  - Använd hörselskydd och begränsa exponeringen.
- Skada från kontakt med skärkniven
  - Bladen kan inte skyddas under kapning. Håll bladet borta från dig själv och andra. Se till att bladskyddet alltid sitter på då produkten inte används.

## RISKMINSKNING

Det finns rapporter om att vibrationer från handhållna verktyg kan bidra till ett tillstånd som kallas Raynauds syndrom för vissa personer. Symptomen brukar vara att det sticker i fingrarna och att de domnar bort; fingrarna kan också bli vita, särskilt vid kyla. Årftliga faktorer, kyla och fukt, diet, rökning och arbetsrutiner tros alla bidra till att orsaka dessa symptom. Det finns förebyggande åtgärder som du kan vidta för att försöka minska vibrationernas påverkan:

- Håll dig varm när du arbetar i kallt väder. Använd handskar för att hålla händer och handleder varma under användning. Kyla har rapporterats som en viktig

del i utvecklandet av Raynauds syndrom.

- Träna och rör på dig efter varje användningstillfälle för att öka blodcirkulationen.
- Ta ofta pauser från arbetet. Begränsa tiden du utsätter dig varje dag.
- Upphör omedelbart om du upplever några av dessa symptom och uppsök din läkare.

## ⚠ VARNING

Risk för person- eller slitageskador vid användning av verktyget under lång tid. Om verktyget används under längre perioder krävs regelbundna pauser.

## LÄR KÄNNA PRODUKTEN

Se sida 139.

1. Bakre handtag
2. Låsknapp för avtryckaren
3. Avtryckare
4. Blad för grässax
5. Bladfodral för grässax
6. Blad för busksax
7. Bladfodral för busksax
8. Batteri
9. Knapp för batterispärr
10. Batteriladdare
11. Låsknapp för blad
12. Knivsträvar
13. Portskydd för gummiuttag

## SYMBOLER PÅ PRODUKTEN



Säkerhetsvarning



Läs igenom och var införstådd med alla instruktioner före användning av produkten, var uppmärksam på alla varningar och säkerhetsinstruktioner.



Bär ögonskydd.



Använd hörselskydd.



Använd kraftiga, halkskyddade handskar.



Utsätt inte för regn eller våta omgivningar.



För att undvika allvarlig personskada ska inte skärbladen vidröras.



Se upp med kringkastade eller flygande föremål. Håll alla åskådare, barn och husdjur på minst 15 meters avstånd från arbetsområdet.



Påminnelse! Skärenheten fortsätter att köra efter att motorn har stängts av.



Gamla elektroniska produkter ska inte kastas med hushållssoporna. Återvinn där sådana faciliteter finns. Kontrollera med din lokala myndighet eller säljaren för att få återvinningstips.



Detta verktyg uppfyller alla standarder i de EU-länder där det kan köpas.



EurAsian överensstämmelsesymbol.



Ukrainskt märke för överensstämmelse



Den garanterade ljudnivån som visas på denna etikett är 86 dB.

## SYMBOLER I MANUALEN



Delar och utrustning säljs separat



Notera



Varning

Följande signalord och betydelser är tänkta att förklara de olika risknivåerna som är associerade med denna produkt.

### **FARA**

Indikerar en överhängande farlig situation som kan, om den inte undviks, resultera i dödsfall eller allvarlig skada.

### **VARNING**

Indikerar en potentiellt farlig situation som kan, om den inte undviks, resultera i dödsfall eller allvarlig skada.

### **PÅMINNELSE**

Indikerar en potentiellt farlig situation som kan, om den inte undviks, resultera i mindre eller medelstora skador.

### **PÅMINNELSE**

Utan säkerhetssymbol

Visar på en situation som kan orsaka skada på egendom.

Langattoman ruohonleikkurisi/pensasleikkurisi suunnittelussa on pidetty etusijalla turvallisuutta, suorituskykyä ja luotettavuutta.

## KÄYTTÖTARKOITUS

Akkukäyttöiset nurmikkosaket/pensasleikkuri on tarkoitettu käytettäväksi ainoastaan ulkona, hyvin ilmastoidussa tilassa.

Tuote on tarkoitettu kotikäyttöön.

Saksiosaa käytettäessä laite on tarkoitettu nurmikon ja rikkaruohojen kevyeen leikkuuseen.

Pensasleikkuriosaa käytettäessä laite on tarkoitettu pensaiden, pensasaitojen ja puskiin kevyeen leikkuuseen. Älä käytä muihin tarkoituksiin.

## YLEISET TURVALLISUUSVAROITUKSET

### VAROITUS

Lue kaikki turvallisuusvaroitukset ja ohjeet. Varoitusten ja ohjeiden laiminlyönnistä voi seurata sähköisku, tulipalo ja/tai vakava loukkaantuminen.

**Säilytä nämä varoitukset ja ohjeet myöhempiä tarvetta varten.**

Sana ”sähköyökalu” viittaa varoituksissa verkkovirta- (langalliseen) tai akkukäyttöiseen (langattomaan) sähköyökaluun.

### Työympäristö

- Pidä työalue siistinä ja valoisana. Epäjärjestyksessä olevat ja pimeät alueet myötävaikuttavat onnettomuuksiin.
- Älä käytä sähköyökäluä räjähdysalttiissa paikoissa, kuten helposti syttyvien nesteiden tai kaasujen tai pölyn läheisyydessä. Sähköyökälu kipinöivät, mikä saattaa sytyttää pölyn tai höyryt.
- Pidä lapset ja sivulliset loitolla, kun käytät sähköyökäluä. Häiriöt voivat saada koneen riistäytymään hallinnasta.

### Sähköturvallisuus

- Pistokkeen on sovittava pistorasiaan. Älä koskaan muunna pistoketta millään tavalla. Älä käytä maadoitettujen sähköyökälujen kanssa minkäänlaisia sovintipistokkeita. Alkuperäiset pistokkeet ja niitä vastaavat pistorasiat pienentävät sähköiskun vaaraa.
- Älä kosketa maadoitettuihin pintoihin, kuten putkiin, lämpöpattereihin, heloihin tai jääkaappeihin. Jos ruumiisi on maadoitettu, sähköiskun vaara on suurempi.
- Älä altista tuotetta sateelle tai kosteudelle. Sähköyökäluun joutunut vesi kasvattaa sähköiskun vaaraa.
- Pidä huolta sähköjohdosta. Älä koskaan kannan tai vedä sähköyökäluä johdosta tai irrota pistoketta johdosta vetämällä. Pidä johto etäällä kuumista paikoista, öljystä, terävistä kulumista ja liikkuvista osista. Vioittunut tai takkuinen johto lisää sähköiskun

vaaraa.

- Kun käytät sähköyökäluä ulkotiloissa, käytä ulkokäyttöön sopivaa jatkojohtoa. Ulkokäyttöön sopivan johdon käyttö pienentää sähköiskun vaaraa.
- Jos sähköyökäluä on pakko käyttää kosteissa tiloissa, käytä jännönsvirtalaitteella (RCD) suojattua pistorasiaa. RCD:n käyttö pienentää sähköiskun vaaraa.

### Käyttäjän turvallisuus

- Ole valpas, katso mitä teet ja käytä maalaisjärkeä, kun käytät sähköyökäluä. Älä käytä sähköyökäluä väsyneenä tai huumeiden, alkoholin tai lääkkeiden vaikutuksen alaisena. Tarkkaamattomuus sähköyökäluä käytettäessä saattaa johtaa vakavaan loukkaantumiseen.
- Käytä henkilökohtaisia suojavarusteita. Käytä aina suojalaseja. Suojalaitteet, kuten pölynaamari, luistamattomat suojakengät, kypärä ja kuulosuojaimet vähentävät loukkaantumisen vaaraa.
- Älä anna koneen käynnistyä vahingossa. Varmista, että katkaisin on poissa päältä, ennen kuin kytket koneen virtalähteeseen ja/tai akkuun ja ennen kuin nostat tai kannat konetta. Sähköyökäluen kantaminen sormi katkaisimella ja virran kytkeminen koneeseen, joka on päällä, saattaa johtaa onnettomuuksiin.
- Irrota säätöavaimet ja jakoavaimet ennen sähköyökäluen käynnistystä. Sähköyökäluen pyöriivään osaan jätetty jako- tai säätöavain saattaa johtaa loukkaantumiseen.
- Älä kurkota liian pitkälle. Pysytkte tukevasti jaloillasi äläkä kurkota käsivartta liian kauas. Tällöin sähköyökälu on helpompi hallita odottamattomissa tilanteissa.
- Älä pukeudu väliin vaatteisiin, kravattiin tai koruihin, jotka voivat juuttua liikkuviin osiin. Älä käytä väliä vaatteita tai koruja. Pidä hiukset, vaatteet ja käsineet etäällä liikkuvista osista. Löysät vaatteet, korut ja pitkät hiukset saattavat tarttua liikkuviin osiin.
- Jos laitetta varten on pölynpoisto- ja keräyslaite, kytke se asianmukaisesti ja käytä sitä oikein. Pölyn kerääminen voi vähentää pölyyn liittyviä vaaroja.

### Sähköyökäluen käyttö ja huolto

- Älä pakota tuotetta. Käytä työhön sopivaa sähköyökäluä. Asianmukainen sähköyökälu hoitaa työt paremmin ja turvallisemmin sillä vauhdilla, jota varten se on suunniteltu.
- Älä käytä sähköyökäluä, jos se ei käynnisty ja sammu katkaisimesta. Jos sähköyökäluä ei voida hallita katkaisimella, se on vaarallinen ja vaatii korjaamista.
- Irrota pistoke virranlähteestä ja/tai akku työkoneesta, ennen kuin teet säätöjä, vaihdat varusteita tai varastoit koneen. Tällaiset varoitimet pienentävät sitä vaaraa, että kone käynnistyy vahingossa.
- Varastoi sähköyökälu pois lasten ulottuvilta äläkä anna kenenkään, joka ei tunne työkonetta tai näitä



ohjeita, käyttää sitä. Sähkötyökalut ovat vaarallisia kouluttamattomien käyttäjien käsissä.

- **Huolla sähkötyökalut. Tarkista, että liikkuvat osat on kohdistettu oikein ja että ne liikkuvat kunnolla, että osia ei ole rikkoutunut ja että mikään muu seikka ei häiritse sähkötyökalun toimintaa. Jos sähkötyökalu vioittuu, korjaa se ennen käyttöä.** Onnettomuudet johtuvat usein sähkötyökalujen huonosta huollosta.
- **Pidä leikkuutyökalut terävinä ja puhtaina.** Asianmukaisesti huolletut leikkuutyökalut, joiden leikkuupinnat ovat teräviä, eivät jumiuudu helposti ja niitä on helppo hallita.
- **Käytä työkonetta, lisävarusteita, teriä jne. näiden ohjeiden mukaisesti, ja huomioi työolosuhteet ja tehtävän työn laatu.** Työkonteen käyttö muuhun kuin sille tarkoitettuun työhön voi aiheuttaa vaarallisia tilanteita.

#### Akkukäyttöisen työkalun käyttö ja hoito

- **Käytä lataukseen ainoastaan valmistajan suosittelemaa laturia.** Yhden tyyppiselle akulle sopivan laturin käyttö toisenlaisen akun kanssa voi olla vaarallista.
- **Käytä sähkötyökalua ainoastaan sitä varten suunniteltujen akkujen kanssa.** Muiden akkujen käyttö voi johtaa loukkaantumiseen ja tulipaloon.
- **Kun akkua ei käytetä, pidä se erillään metalliesineistä, kuten paperiliittimistä, kolikoista, avaimista, nauloista, ruuveista ja muista pienistä metalliesineistä, jotka voivat yhdistää akun navat.** Akun napojen oikosulkeminen voi aiheuttaa palovammoja ja tulipalon.
- **Jos akkua käsitellään väärin, siitä voi vuotaa nestettä; älä kosketa sitä. Jos kosketat sitä vahingossa, huuhtelee se vedellä. Jos nestettä pääsee silmiin, hakeudu lisäksi lääkärin hoitoon.** Akusta vuotanut neste voi ärsyttää ihoa ja aiheuttaa palovammoja.

#### Huolto

- **Huollata työkonetta pätevällä huoltomiehellä, joka käyttää ainoastaan asianmukaisia varaosia.** Tämä varmistaa, että sähkötyökalu on turvallinen.

#### NURMIKOSAKSIEN/PENSASLEIKKURIN TURVAVAROITUKSET

##### VAROITUS

Terien liike jatkuu sen jälkeen, kun moottori on sammutettu.

#### KOULUTUS

- Lue ohjeet huolella. Tutustu ohjaimiin ja tuotteen asianmukaiseen käyttöön.
- Älä koskaan salli lasten tai ihmisten, joiden fyysiset tai henkiset kyvyt tai aistit ovat heikentyneet tai joilta puuttuu kokemusta tai tietämystä, tai näitä ohjeita tuntemattomien käyttää tuotetta. Paikalliset säädökset saattavat asettaa rajoituksia käyttäjän iälle.

- Muista, että ruohonleikkurin käyttäjä on vastuunalainen vahingoista ja vaaroista, jotka hän aiheuttaa muille ihmisille ja heidän omaisuuksilleen.

#### VALMISTELUT

- Tarkista tuote ennen käyttöä. Vaihda kaikki vioittuneet osat.
- Siivoa työalue ennen jokaista käyttöä. Poista kaikki sellaiset esineet, kuten johdot, valot ja langat, jotka voivat singota tai tarttua terään.
- Älä koskaan käytä laitetta, jos lähistöllä on ihmisiä, erityisesti lapsia, tai lemmikkejä.
- Vaihda leikkuuterät ja muut osat, jos ne ovat halkeilleet, lohkeilleet tai vioittuneet millään tavoin. Varmista, että terä on asianmukaisesti asennettu ja tukevasti kiinni. Muutoin käyttäjä tai sivulliset voivat loukkaantua ja laite vioittuu.
- Älä käytä tuotetta, jos se ei käynnisty ja sammuu katkaisimesta. Jos tuotetta ei voida hallita katkaisimella, se on vaarallinen ja vaatii korjaamista.
- Tee siitä tapa, että tarkastat, onko avaimet ja säätötyökalut poistettu laitteesta ennen sen käynnistämistä.

#### KÄYTTÖ

- Käytä aina täydellistä silmäsuojusta, jalkineita ja vaateita laitteen käytön aikana tapaturmavaaran pienentämiseksi.
- Älä pukeudu väliin vaatteisiin, kravattiin tai koruihin, jotka voivat juuttua liikkuviin osiin. Älä pukeudu väliin vaatteisiin tai koruihin; ne voivat juuttua liikkuviin osiin. Käsineiden, tukevien jalkineiden ja pitkien housujen käyttö on suositeltavaa ulkona työskennellessä.
- Älä käytä tuotetta huonolla säällä, erityisesti kun on salamien vaara.
- Käynnistä moottori vain, kun kädet ja jalat ovat poissa terän luota.
- Varo, ettei terä vahingoita jalkoja ja käsiä.
- Ole aina tietoinen ympäristöstäsi ja varo vaaroja, joita et ehkä kuule koneen aiheuttaman metelin takia.
- Älä koskaan yritä käyttää puutteellista tai luvattomasti muokattua tuotetta.

#### PENSASLEIKKURIN TURVALLISUUSVAROITUKSET

- **Älä kosketa leikkuuterää millään ruumiinosalla. Älä poista leikkuumateriaalia tai pitele sitä terien liikkuaessa. Varmista, että kytkin on poissa päältä jumittunutta materiaalia poistettaessa.** Tarkkaamattomuus tuotetta käytettäessä saattaa johtaa vakavaan loukkaantumiseen.
- **Kannapensasleikkurikahvastateräpysähdyksissä. Kun kuljetat pensasleikkuria tai varastoit sen, käytä aina leikkurinsuojusta.** Pensasleikkurin asianmukainen käsitteleminen ehkäisee leikkuuterän aiheuttamaa loukkaantumisenvaaraa.
- **Pitele sähkötyökalua ainoastaan eristetyistä kosketuspinnista, sillä leikkuuterä saattaa osua kätkeätyihin johtoihin tai omaan johtoonsa.** Jos





leikkuuterä osuu sähköistettyyn johtoon, sähkötyökalun paljaat metalliosat sähköistyvät ja voivat aiheuttaa käyttäjälle sähköiskun.

- Pidä johto poissa leikkuualueelta. Johto voi käytön aikana olla oksien takana ja tulla vahingossa leikatuksi.
- Tarkista pensasaita vieraskappaleiden, kuten lanka-aidan, varalta.

#### MUITA TURVALLISUUSVAROITUKSIA

- Älä kannna laitetta koskaan sormi kaasukahvalla tahattoman käynnistymisen välttämiseksi.
- Käytä raskaita, pitkiä housuja, tukevia kenkiä ja hyvin sopivia käsineitä. Älä käytä sortseja ja sandaaleja tai kulje avojaloin.
- Varmista, että kytkin on pois päältä -asennossa ennen akkuyksikön asennusta paikalleen. Akkuyksikön asentaminen laitteeseen kytkin päällä lisää onnettomuuksien vaaraa.
- Älä käytä tätä työkalua huonosti valaistussa paikassa. Käytä tuotetta päivänvalossa tai hyvässä keinovalossa.
- Pidä vakaa tasapaino. Älä kurkota liian pitkälle. Liian pitkälle kurkotta minen saattaa johtaa tasapainon menettämiseen. Seiso rinteissä aina tukevasti. Kävele, älä koskaan juokse.
- Älä pakota tuotetta. Se hoitaa työt paremmin ja turvallisemmin sillä vauhdilla, jota varten se on suunniteltu.
- Varmista ennen laitteen käynnistämistä, ettei terä voi koskettaa mitään. Jos terä iskee vieraisiin esineisiin tai juuttuu niihin, sammuta laite välittömästi, irrota akkuyksikkö ja tarkasta, onko vaurioita. Älä käytä lämmitintä, jos siinä on löysiä tai vioittuneita osia.
- Tarkista, onko vaurioituneita osia, onko liikkuvien osien linjaus oikea ja onko niitä juuttunut sekä heikentäkään mikään muu toimintaa. Muut vaurioituneet osat on tarkastettava huolellisesti ennen laitteen käytön jatkamista, että toimivatko ne oikein ja käyttötarkoituksensa mukaisesti. Kaikki vaurioituneet osat on korjautettava tai vaihdettava valtuutetussa huoltoliikkeessä.
- Jotta vähentäisit liikkuvien osien aiheuttamaa tapaturmavaaraa, sammuta aina laite, irrota akkuyksikkö, varmista, että kaikki liikkuvat osat ovat pysähtyneet ja anna tuotteen jäähtyä ennen:
  - aina kun jätät tuotteen valvomatta
  - ennen tukoksen poistamista
  - ennen tuotteen tarkastusta, puhdistusta ja huoltoa
  - tuotteen tarkastamista, kun siihen on iskenyt vieras esine
  - Jos tuote alkaa täristä epänormaalisti
- Pidä kädet kaukana teristä. Älä poista leikkumateriaalia tai pitele sitä terien liikkuaessa. Varmista, että akkuyksikkö on irrotettu ja kaasukahva on vapautettu, kun irrotat juuttunutta materiaalia terästä. Älä tartu paljaisiin leikkuuteriin tai reunoihin nosttaessasi tai pidellessäsi pääyksikköä.
- Pidä kädet, kasvat ja jalat turvallisen matkan päässä liikkuvista osista. Älä kosketa tai yritä pysäyttää leikkuuteriä niiden liikkeen aikana.

- Sammuta aina moottori, kun leikkuu viivästyy tai kun kävelet yhdestä paikasta toiseen.
- Pidä laite puhtaana ruohojätteestä ja muusta materiaalista. Ne saattavat tarttua leikkuu teriin.
- Käytä aina teränsuojusta, kun tuote ei ole käytössä.
- Älä koskaan kastele tai ruiskuta laitetta vedellä tai muilla nesteillä. Pidä kädensijat kuivina ja puhtaina liasta ja rasvasta.
- Kuljetus ja varastointaessa
- Älä koskaan käytä laitetta, jos suojat tai suojuukset ovat epäkunnossa tai ilman suojalaitteita.
- Onnettomuuden tai konevian sattuessa kytke välittömästi virta pois ja poista akkuyksikkö. Älä käytä laitetta ennen kuin se on perusteellisesti tutkittu valtuutetussa huoltoliikkeessä.
- Asenna laitteeseen aina teränsuojus sen kuljetuksen ja varastoinnin ajaksi.
- Puhdista laite perusteellisesti ennen sen varastointia. Säilytä konetta kuivassa ja hyvin ilmastoidussa paikassa, jossa se on lasten ulottumattomissa. Pidä poissa syövyttäviltä aineilta kuten puutarhakemikaaleilta ja jäänsulatussuolalta.
- Varastoi ja lataa akkuyksiköitä viileässä paikassa. Normaaliämpötilan ylittävät tai alittavat lämpötilat lyhentävät akun kestoikää.
- Älä koskaan varastoi akkuyksiköitä purkaantuneina. Odota akkuyksikön jäähtymistä ja lataa se välittömästi.
- Kiinnitä tuote kuljetettaessa siten, että se ei pääse liikkumaan tai kaatumaan, jotta vältytään loukkaantumisilta ja vaurioilta.

#### LITIUMAKKIJEN KULJETTAMINEN

Kuljeta akkuja paikallisten ja kansallisten ehtojen ja säädösten mukaisesti.

Noudata kaikkia pakkaamista ja nimeämistä koskevia erikoissäädöksiä, kun kolmas osapuoli kuljettaa akkuja. Varmista, että mikään akku ei kosketa muita akkuja tai johtavaa materiaalia kuljetuksen aikana suojaamalla paljaat navat eristävillä, johtamattomilla korkeilla tai teipillä. Älä kuljeta akkuja, jotka ovat halkeilleet tai vuotavat. Kysy välityritykseltä lisäneuvoja.

#### HUOLTO

##### ⚠ VAROITUS

Käytä ainoastaan alkuperäisiä valmistajan tuottamia varaosia, lisälaitteita ja lisävarusteita. Tämän noudattamatta jättäminen voi johtaa loukkaantumiseen ja huonoon tulokseen ja voi mitätöidä takuun.

##### ⚠ VAROITUS

Huolto kaipaa suurta huolellisuutta ja hyvää työkalun tuntemusta: Se on annettava pätevän teknikon tehtäväksi. Kun tuote vaatii huoltoa, vie tuote valtuutettuun huoltoon. Käytä huollossa ainoastaan alkuperäisiä valmistajan tuottamia varaosia.







- Käytä käsineitä terän huollon aikana.
- Huolla tuote huolella. Pidä leikkurin reuna terävänä ja puhtaana suorituskyvyn maksimoimiseksi ja tapaturmavaaran minimoimiseksi. Voitele ja vaihda lisävarusteet ohjeiden mukaisesti. Pidä kädensijat kuivina ja puhtaina liasta, öljystä ja rasvasta.
- Kytke virta pois ja irrota akku ennen kuin teet mitään puhdistus- tai huoltotoimenpidettä.
- Puhdista tuotteet runko ja kahvat pehmeällä, kuivalla liinalla jokaisen käyttökerran jälkeen.
- Puhdista roskat jokaisen käyttökerran jälkeen teristä kovalla harjalla ja levitä sen jälkeen huolella ruosteestoainetta ennen teränsuojuksen kiinnittämistä. Valmistaja suosittelee, että levität ruosteestoainetta ja voiteluainetta suihkeena, jotta ne leviäsivät tasaisesti ja jotta välttyisit teriin koskettamisesta aiheutuvasta loukkaantumisvaarasta. Lisätietoja asianmukaisesta suihkeesta saa paikallisesta valtuutetusta huollosta.
- Älä puhdista muoviosia liuottimilla. Suurin osa muoveista ei siedä markkinoilla olevia määrättyjä liuotteita, jotka vahingoittavat niitä. Poista lika, pöly, öljy, rasva tms. puhtailla rievuilla.
- Pidä aina huoli siitä, että tuuletusaukoissa ei ole roskia.
- Tarkista terät säännöllisesti vaurioiden ja kulumisen varalta.
- Käytä aina valmistajan nimeämiä vaihtoteriä.
- Voitele leikkuuterät käyttöä ennen ja sen jälkeen, jotta niiden käyttö on helpompaa ja kestoikä pidempi. Irrota akkuyksikkö ja aseta leikkuuterät tasaiselle pinnalle ennen voitelua. Levitä yläterän reunaan kevyttä konevoiteluainetta. Älä lisää öljyä laitteen ollessa käynnissä.

## KÄYTTÖÖN LIITTYVÄT RISKIT

Vaikka tuotetta käytettäisiin ohjeiden mukaisesti, ei ole mahdollista täysin eliminoida tiettyjä käyttöön liittyviä riskitekijöitä. Käytössä voi aiheutua seuraavia vaaroja, ja käyttäjän tulee kiinnittää erityistä huomiota niiden välttämiseen:

- Tärinän aiheuttama vamma.
  - Pitele tuotetta aina kahvoista ja rajoita työaikaa sekä altistumista.
- Melulle altistumisesta aiheutunut kuulovamma.
  - Käytä suojalaseja ja rajoita altistumista.
- leikkuuterää koskettamisesta aiheutuva vamma
  - Teriä ei voi suojata leikkauksen aikana. Pidä terä kaukana itsestäsi ja muista. Käytä aina teränsuojusta, kun tuote ei ole käytössä.

## RISKIEN VÄHENTÄMINEN

Raporttien mukaan käsikäyttöisten laitteiden tärinä voi joidenkin kohdalla myötävaikuttaa Raynaud's Syndromen (Raynaudin oireen) ilmenemiseen. Oireita ovat pistely, turtuus ja sormien kalpeneminen, yleensä kylmässä ilmassa. Perinnölliset tekijät, kylmyys ja kosteus, ruokavalio, tupakointi sekä työtavat voivat kaikki myötävaikuttaa näiden oireiden ilmenemiseen. Käyttäjä voi

ehkäistä tärinän aiheuttamia vaikutuksia seuraavasti:

- Pidä itsesi lämpimänä kylmällä säällä. Käytä tuotteen käytön aikana käsineitä, jotta kätesi ja ranteesi pysyvät lämpöisinä. Raporttien mukaan kylmä ilma on tärkeä tekijä Raynaud's Syndromen (Raunaudin oireiden) ilmenemisessä.
- Harjoita kunkin käyttöjakson jälkeen liikuntaa, jotta verenkierto lisääntyy.
- Pidä työn aikana säännöllisesti taukoja. Rajoita päivittäisen tärinän määrä.
- Jos mitään yllä mainittuja oireita ilmenee, lopeta heti laitteen käyttö ja kerro oireista lääkärille.

## VAROITUS

Laitteen pitkittynyt käyttö voi aiheuttaa tai vaikeuttaa vammoja. Kun käytät mitä tahansa laitetta pitkiä aikoja, muista pitää säännöllisiä taukoja.

## TUNNE TUOTTEESI

Katso sivu 139.

1. Takakädensija
2. Liipaisimen lukituspainike
3. Liipaisin
4. Nurmikon saksiterä
5. Nurmikon saksiterän suojus
6. Pensasterä
7. Pensasterän suojus
8. Akku
9. Akun salpainen
10. Laturi
11. Terän kiinnitysnappi
12. Terän tapit
13. Kuminen liitäntäportin suojus

## TUOTTEESSA OLEVAT SYMBOLIT



Varoitus



Lue ja ymmärrä kaikki ohjeet ennen tuotteen käyttöä ja noudata kaikkia varoituksia ja turvallisuusohjeita.



Käytä silmäsuojaimia.



Käytä kuulosuojaimia.



Käytä luisumattomia raskaan käytön suojakäsineitä.





Älä altista konetta sateelle tai kosteudelle.



Älä kosketa teriin, jotta välttyt vakavalta loukkaantumiselta.



Varo sinkoutuneita ja muita lentäviä esineitä. Pidä kaikki sivulliset vähintään 15 metrin päässä toiminta-alueelta – erityisesti lapset ja lemmikit.



Huomautus! Terien liike jatkuu sen jälkeen, kun moottori on sammutettu.



Käytöstä poistettavia sähkölaitteita ei pidä hävittää talousjätteiden mukana. Ne on mahdollisuuksien mukaan pantava kiertoon. Kierrätysohjeita antavat kunnan viranomaiset ja vähittäiskauppiat.



Tämä työkalu on sen EU-maan kaikkien sääntömääräisten standardien mukainen, josta se on ostettu.



EurAsian-vaatimustenmukaisuusmerkki.



Ukrainalainen säädöstenmukaisuusmerkintä



Tässä tarrassa näytetty taattu äänenpaine on 86 dB.

## HUOMAUTUS

Ilman turvallisuusvaroitussymbolia ilmoittaa tilanteesta, jossa omaisuutta saattaa vaurioitua.

## TÄMÄN KÄSIKIRJAN SYMBOLIT



Osat ja lisävarusteet on hankittava erikseen



Huom



Varoitus

Seuraavat signaalisanat ja merkitykset on tarkoitettu selittämään tähän tuotteeseen liittyviä riskin tasoja.

### ⚠ VAARA

Ilmaisee välitöntä vaaratilannetta, joka ellei sitä vältetä, johtaa kuolemaan tai vakavaan loukkaantumiseen.

### ⚠ VAROITUS

Ilmaisee potentiaalisen vaaratilanteen, joka ellei sitä vältetä, johtaa kuolemaan tai vakavaan loukkaantumiseen.

### ⚠ HUOMAUTUS

Ilmaisee potentiaalisen vaaratilanteen, joka ellei sitä vältetä, saattaa johtaa pienempään tai keskivaikeaan loukkaantumiseen.



Sikkerhet, ytelse og driftssikkerhet er gitt topp prioritet i konstruksjonen av din trådløse gressaks/hekksaks.

### TILTENKT BRUK

Den bensindrevne motorsagen er kun beregnet til bruk utendørs i et godt ventilert område.

Dette produktet er konstruert for hjemmebruk.

Ved bruk av et klippetilbehør, er produktet ment for lett trimming av gress og ugress.

Ved bruk av et klippetilbehør, er produktet ment for lett trimming av busker og hekker..

Ikke bruk til noe annet formål.

### GENERELLE SIKKERHETSADVARSLER

#### ADVARSEL

**Les alle sikkerhetsadvarslene og alle instruksjonene.** Å unnlate å følge advarslene og instruksjonene kan føre til elektrisk støt, brann og alvorlig personskade.

Ta vare på disse advarslene og instruksjonene for å se i dem senere.

Begrepet "elektrisk verktøy" i advarslene gjelder ditt elektriske verktøy koblet til strømmettet (med ledning) eller batteridrevet (uten ledning) elektrisk verktøy.

#### Arbeidsomgivelser

- **Hold arbeidsområdet rent, ryddig og godt opplyst.** Uryddige og dårlig opplyste områder fører lett til ulykker.
- **Ikke bruk elektrisk verktøy i eksplosive atmosfærer, som der det finnes brennbare væsker, gasser eller støv.** Elektrisk verktøy skaper gnister som kan antenne støv eller gasser.
- **Hold barn og andre på avstand når et elektrisk verktøy brukes.** Distraksjon kan føre til tap av kontroll.

#### Elektrisk sikkerhet

- **Støpslet på det elektriske verktøyet må stemme med stikkkontakten.** Foreta aldri noen form for endringer av støpslet. Ikke bruk noen form for adapterstøpsel til jordet elektrisk verktøy. Umodifiserte støpsler og passende stikkontakter vil redusere risikoen for elektrisk støt.
- **Unngå kroppskontakt med jordede overflater, som vannrør, radiatorer, kokeapparater og kjøleaggregater.** Det er økt risiko for elektrisk støt dersom kroppen din har kontakt med jord.
- **Ikke utsett produktet for regn eller høy fuktighet.** Vann som trenger inn i et elektrisk verktøy vil øke faren for elektrisk støt.
- **Ikke misbruk den elektriske ledningen.** Bruk aldri ledningen til å bære det elektriske verktøyet eller trekk støpslet ut av stikkkontakten. Hold ledningen vekk fra varme, olje, skarpe kanter eller bevegelige deler. Skadet eller sammenfloknet ledning øker risikoen for elektrisk støt.
- **Når du bruker det elektriske verktøyet utendørs, bruk en skjøteledning som er tilpasset utendørs**

**bruk.** Bruk av ledning som er tilpasset utendørs bruk reduserer risikoen for elektrisk støt.

- **Dersom bruk av elektrisk verktøy i fuktige omgivelser ikke er til å unngå, bruk en strømkrets med sikring som er tilpasset verktøyet.** Bruk av strømkrets med sikring reduserer risikoen for elektrisk støt.

#### Personlig sikkerhet

- **Vær våken, se på hva du gjør og bruk fornuft når du arbeider med et elektrisk verktøy. Ikke bruk elektrisk verktøy når du er sliten eller under påvirkning av narkotiske stoffer, alkohol eller medisiner som kan påvirke din reaksjonsevne og/eller dømmekraft.** Et øyeblikks uoppmerksomhet når elektrisk verktøy brukes kan føre til alvorlige personskade.
  - **Bruk personlig verneutstyr. Bruk alltid øyebeskyttelse.** Verneutstyr som støvmaske, sklisikre vernesko, hjelm eller hørselsvern brukt i passende sammenhenger vil redusere risikoen for personskade.
  - **Unngå utilsiktet start. Sørg for at bryteren er i posisjon OFF før utstyret kobles til strømmettet og / eller batteripakken, plukkes opp eller bæres.** Å bære det elektriske verktøyet med fingeren på startknappen eller koble strøm til et elektrisk verktøy med bryteren i ON inviterer til ulykker.
  - **Fjern justeringsnøkler og annet verktøy før du setter strøm på det elektriske verktøyet.** En fastnøkkel eller annet verktøy festet til en roterende del av et elektrisk verktøy når det startes kan føre til personskade.
  - **Ikke len deg for langt. Sørg for godt fotfeste og god balanse til enhver tid.** Dette gir bedre kontroll over det elektriske verktøyet i en uventet situasjon.
  - **Kle deg riktig. Ikke bruk løst sittende plagg og/eller løst hengende smykker. Hold hår, klær og hansker vekk fra bevegelige deler.** Løse plagg, smykker og langt hår kan fanges opp av bevegelige deler.
  - **Hvis det finnes tilkoblingsmuligheter for oppsagnings- og oppsamlingsutstyr for støv, sørg for at dette blir tilkoblet og brukt på riktig måte.** Bruk av støvoppsamler kan redusere støvrelatert faresituasjoner.
- #### Bruk og behandling av elektrisk verktøy
- **Ikke press maskinen. Bruk korrekt elektrisk verktøy for jobben som skal gjøres.** Riktig elektrisk verktøy vil gjøre jobben bedre og tryggere når det brukes slik det var tiltenkt.
  - **Ikke bruk verktøyet hvis bryteren ikke slår verktøyet av og på.** Ethvert elektrisk verktøy som ikke kan kontrolleres med bryteren er farlig og må repareres før det kan brukes.
  - **Trekk støpslet ut av den elektriske kontakten og/eller batteripakken fra det elektriske verktøyet før du foretar endringer, skifter tilbehør eller lagrer det elektriske verktøyet.** Slike forebyggende sikkerhetstiltak reduserer risikoen for utilsiktet start av det elektriske verktøyet.
  - **Oppbevar elektrisk verktøy som ikke brukes utenfor barns rekkevidde og la ikke personer som ikke er kjent med det elektriske verktøyet eller dets**





**instruksjoner bruke det.** Elektrisk verktøy er farlig i hendene på uerfarne brukere.

- **Vedlikehold av elektrisk verktøy. Kontroller for feilinnretting og at bevegelige deler løper fritt, at det ikke finnes ødelagte deler og enhver annen tilstand som kan påvirke det elektriske verktøyets drift. Hvis skadet må det elektriske verktøyet repareres før bruk.** Mindre ulykker skyldes dårlig vedlikeholdt elektrisk verktøy.
- **Hold skjæreredskap skarpe og rene.** Korrekt vedlikeholdt skjæreverktøy med skarpe skjærekanten har mindre mulighet for å blokkere seg og er lettere å kontrollere.
- **Bruk det elektriske verktøyet, tilbehøret, verktøybits etc i henhold til disse instruksjonene, der du tar hensyn til arbeidsforholdene og det arbeidet som skal utføres.** Bruk av elektrisk verktøy på en måte det ikke var tiltenkt kan skape farlige situasjoner.

#### Batteriprodukter - bruk og stell

- **Lad bare med ladere som er spesifisert av produsenten.** En lader som passer til en type batteripakke kan skape risiko for brann dersom den brukes til en annen type batteripakke.
- **Bruk pateriprodukter kun med spesielt tiltenkte batteripakker.** Bruk av andre batteripakker kan føre til risiko for skade og brann.
- **Når batteripakken ikke er i bruk, hold den vekke fra metallgjenstander som binders, mynter, nøkler, spiker, skruer og annet som kan forbinde de to terminalene med hverandre.** Kortslutning av batteriterminalene kan føre til brenning eller brann.
- **Dersom batteriet misbrukes kan det slippe ut væske, unngå hudkontakt med væsken. Hvis du får kontakt med væsken fra batteriet, skyl med rikelige mengder vann. Hvis væsken får kontakt med øynene må det søkes medisinsk hjelp.** Væske som kommer ut av batteriet kan føre til irritasjon eller brannskår.

#### Vedlikehold

- **Sørg for at reparasjoner og vedlikehold av ditt elektriske verktøy utføres av kvalifiserte teknikere som kun bruker originale erstatningsdeler.** Dette vil sørge for at sikkerheten med det elektriske verktøyet ivaretas.

### SIKKERHETSADVARSEL FOR GRESSKLIPPER/ BUSKKLIPPER

#### ▲ ADVARSEL

Kuttebladene fortsetter å rotere etter at motoren er slått av.

#### OPPLÆRING

- Les instruksjonsmanualen nøye. Gjør deg kjent med styringen og riktig bruk av produktet.
- Du må aldri la barn, personer med redusert fysisk, sensorisk eller mental kapasitet eller mangel på erfaring og kunnskap eller personer som ikke kjenner

disse instruksjonene, bruke produktet. Lokale forskrifter kan begrense en alder av operatøren.

- Husk at operatøren eller brukeren er ansvarlig for uhell og farer som andre personer og deres eiendom får påført.

#### KLARGJØRING

- Inspiser produktet før bruk. Skift ut alle ødelagte deler.
- Rydd området som skal klippes før arbeidet påbegynnes. Fjern alle gjenstander som snorer, lys, wire eller hyssing som kan bli slengt ut eller feste seg i kutteenheten.
- Ikke bruk maskinen dersom andre personer - og spesielt barn - eller dyr er i nærheten.
- Erstatt kniver eller andre deler som er sprukket eller skadet på annen måte. Sørg for at streghodet og bladet er riktig montert og godt festet. Å unnlate å gjøre dette kan føre til både alvorlig personskade på brukeren og tilskuere og skade på enheten.
- Ikke bruk verktøyet hvis bryteren ikke slår verktøyet av og på. Et produkt som ikke kan kontrolleres med bryteren er farlig og må repareres.
- Gjør det til en vane å sjekke at nøklene og skiftenøklene er fjernet fra produktet før du skruer det på.

#### BETJENING

- For å redusere skaderisiko, ha alltid på øyebeskyttelse og vernesko og -tøy når du bruker produktet.
- Kle deg riktig. Ha ikke på løse klær eller smykker; de kan sette seg fast i bevegende deler. Bruk av hansker, egnet fottøy og lange bukser anbefales ved utendørs arbeid.
- Unngå å bruke produktet under dårlige værforhold, spesielt når det er fare for lynnedslag.
- Skru først på motoren når hender og føtter er på god avstand fra kuttedelene.
- Vær forsiktig så du ikke skader føtter og hender på kuttedelene.
- Hver alltid klar over hva som skjer rundt deg, og vær årvåken overfor mulige farer som det kan være at du ikke hører på grunn av støyen fra maskinen.
- Forsøk aldri å bruke et ufullstendig produkt eller et produkt med en uautorisert modifisering

#### HEKKLIPPER SIKKERHETSADVARSLER

- **Hold alle deler av kroppen vekke fra skjærebladet. Ikke fjern avkappet materiale eller hold ting som skal klippes mens knivene beveger seg. Påse at bryteren er i posisjon AV når knivene skal renses for materialer som har blokkert seg.** Et øyeblikk med uoppmerksomhet under bruk av produktet kan føre til alvorlige personskader.
- **Bær hekksaksen i håndtaket med skjærebladene stanset. Når du transporterer eller lagrer hekksaksen, husk alltid å sette sliren over knivene.** Korrekt håndtering av hekksaksen vil redusere faren for å bli skadet av knivene.
- **Hold verktøyet i de isolerte gripeflatene idet knivene kan komme i kontakt med skjulte strømførende**





**ledninger eller maskinens egen elektriske ledning.** Dersom skjærebladene får kontakt med en strømførende ledning kan verktøyets metalldele og også bli strømførende og gi brukeren elektrisk støt.

- **Hold ledningen vekke fra arbeidsområdet.** Under drift kan ledningen skjule seg i busker og kan utilsiktet bli kuttet av bladet.
- Kontroller at det ikke er fremmedlegemer i hekken, som f.eks. nettinggjerder.

### SPEISIELLE SIKKERHETSADVARSLER

- For å unngå utilsiktet oppstart bør du aldri bære produktet med fingeren på startknappen.
- Ha på tunge, lange bukser, egnet skotøy og velpassende hansker. Ha ikke på korte bukser og sandaler eller vær barfott.
- Sikre at bryteren er av før batteripakken settes inn. Det kan føre til uhell dersom batteripakken settes i produktet med bryteren på.
- Ikke bruk i dårlig lys. Bruk produktet i dagslys eller under godt kunstig lys.
- Ha god fotfeste og ballanse til enhver tid. Ikke len deg for langt. Hvis du lener deg for langt, kan du miste balansen. Sørg for å ha godt fotfeste i skråninger. Gå, du må aldri løpe mens du arbeider med maskinen.
- Ikke press maskinen. Den vil gjøre jobben bedre og tryggere med den hastigheten den er konstruert for.
- Før oppstart av produktet må du passe på at kutteutstyret ikke kommer i kontakt med noe. Hvis kutteutstyret kommer borti eller rotes inn i fremmedobjekter, må det øyeblikkelig stoppes, batteripakken fjernes, og det må sjekkes for skade. Ikke bruk enheten med løse eller skadede deler.
- Se etter feiljusterte eller fastklemt bevegelige deler, ødelagte deler og andre forhold som kan påvirke elektroverktøyets drift. Før du bruker produktet mer, bør andre ødelagte deler sjekkes nøye for å sikre at de vil fungere som de skal og gi trygg drift. Hvis noen av delene er skadet, må de repareres eller skiftes ut av et autorisert verksted.
- For å redusere faren for personskade fra bevegelige deler må du alltid stoppe produktet og koble fra batteripakken, og sørge for at alle bevegelige deler har stanset helt. Produktet bør kjøles ned før:
  - når du forlater gressklipperen uten tilsyn
  - før fjerning av en blokkering
  - før kontroll, rensing og arbeider på produktet
  - inspiser produktet dersom du har kommet borti et fremmed objekt
  - hvis produktet starter å vibrere unormalt
- Hold hendene vekke fra kniven. Ikke fjern avkappet materiale eller hold ting som skal klippes mens knivene beveger seg. Sørg for at batteriet er tatt ut og at bryteren er av når du fjerner fastkjømt materiale fra kutteutstyret. Ikke ta i kniven eller eggen på kniven når du plukker opp eller holder hovedenheten.
- Hold hender, ansikt og føtter på trygg avstand fra bevegelige deler. Ikke ta på eller prøv å stoppe kuttebladene mens de er i bevegelse.

- Stopp alltid motoren når kuttingen er forsinket eller når du går fra ett sted til et annet.
- Hold produktet klart for gressrester og andre materialer. De kan kile seg inn i knivene.
- Monter alltid beskyttelsesdekslet når produktet ikke er i bruk.
- Sprøyt aldri produktet med vann eller annen væske. Hold håndtakene tørre, rene og fri for olje og fett.
- Transport og lagring
- Ikke bruk utstyret uten beskyttelser eller skjold, eller uten at sikkerhetsinnretninger er på plass.
- Hvis det skjer en ulykke eller maskinskade, må redskapen straks slås av og batteripakken tas ut. Ikke bruk redskapen igjen før den er nøye kontrollert av et autorisert servicesenter.
- Under transport eller oppbevaring av produktet må du alltid bruke bladskjeden.
- Rengjør produktet grundig før oppbevaring. Oppbevar produktet på et kjølig, tørt og godt ventilert sted som er utilgjengelig for barn. Hold den borte fra korrosive materialer, så som ugressmidler og veisalt.
- Oppbevar og lad opp batteripakkene i et kjølig område. Temperaturer over eller under normal romtemperatur vil batteriets levetid.
- Oppbevar aldri batteripakkene i utladet tilstand. Vent til batteriet er nedkjølt og lad med en gang.
- Ved transport må produktet sikres mot å komme i bevegelse eller falle for å unngå skade på personer eller produktet.

### TRANSPORTERE LITUM-BATTERIER

Transporter batterier i henhold til lokale og nasjonale lover og forskrifter.

Følg alle spesialkrav med hensyn til emballering og merking når batterier transporteres av en tredjepart. Påse at ingen batterier kan komme i kontakt med andre batterier eller ledende materialer under transporten ved å beskytte åpne kontakter med isolasjon, ikkeledende lokk eller tape. Ikke transporter batterier som er sprukne eller som lekker. Kontakt spedistøren for å få ytterligere råd.

### VEDLIKEHOLD

#### ⚠ ADVARSEL

Bruk kun produsentens originale reservedeler, tilleggsutstyr og påsatser. Dersom dette ikke følges, kan det forårsake personskader, dårlig funksjon og kan annullere garantien din.

#### ⚠ ADVARSEL

Service krever meget stor forsiktighet og kunnskap og bør utføres kun av kvalifisert teknisk personale. For service skal produktet leveres til et autorisert serviceverksted. For service av maskinen, bruk kun produsentens originale reservedeler.

EN
FR
DE
ES
IT
NL
PT
DA
SV
FI
<b>NO</b>
RU
PL
CS
HU
RO
LV
LT
ET
HR
SL
SK
BG
UK
TR





- Bruk hansker når du utfører vedlikeholdsarbeid på kutteutstyret.
- Vedlikehold produktet med omtanke. Hold ytterkanten skarp og ren for best ytelse og for å redusere skade. Følg instruksjonene for smøring og skifte av tilbehør. Hold håndtakene tørre, rene og fri for olje og fett.
- Slå av og fjern batteriet før du rengjør eller utfører vedlikehold på produktet.
- Etter hver bruk, rens produktets ytre med en myk tørr klut.
- Etter hvert bruk, fjern avfall fra bladene med en stiv børste og påfør forsiktig antirustsmøring før du setter på bladbeskyttelsen igjen. Produsenten anbefaler at du påfører smørespray med antirustfunksjon som en jevn hinne og dermed minsker faren for personskaade. For mer informasjon om passende sprayprodukter, ta kontakt med ditt lokale autoriserte servicesenter.
- Unngå bruk av løsemidler når du rengjør plastdelene. De fleste plastikkstoffene vil bli skadet dersom forskjellige tilgjengelige løsemiddel brukes på gressklipperen. Bruk rene kluter til å fjerne skitt, støv, olje og fett, etc.
- Sørg alltid for at avfall ikke tetter ventilasjonsspaltene.
- Inspiser bladet periodisk for slitasje eller skader.
- Bruk alltid produsentens spesifiserte erstatningsblader.
- For enkel bruk samt forlenget levetid for bladene kan du kuttebladene før og etter hvert bruk. Før smøring, fjern batteripakken og legg kuttebladene på en flat overflate. Påfør lett motorolje langs kanten på den øvre kniven. Påfør ikke olje mens produktet er i bruk.

## GJENVÆRENDE RISIKO

Selv om utstyret brukes som beskrevet er det ikke mulig å unngå enhver gjenværende risiko. Følgende faresituasjoner kan oppstå ved bruk, og operatøren må legge spesielt vekt på å unngå følgende:

- Personskaade på grunn av vibrasjon.
  - Hold produktet i angitte håndtak og begrenns arbeidstid og eksponering.
- Eksponering for støy kan gi hørselsskader.
  - Bruk hørselvern og begrenns eksponeringen.
- Personskaader pga. kontakt med bladet
  - Bladene kan ikke ha beskyttelse under kuttingen. Hold bladet unna deg selv og andre. Monter alltid beskyttelsesdekslet når produktet ikke er i bruk.

## FAREREDUKSJON

Det foreligger rapporter om at vibrasjoner fra håndholdt verktoy for enkelte personer kan bidra til en tilstand som kalles Raynauds Syndrome. Symptomene kan omfatte følelseløshet og gjøre fingrene bleke, vanligvis synlig ved eksponering til lave temperaturer. Arvelige faktorer, eksponering mot lave temperaturer og fuktighet, diett, røyking og arbeidspraksis blir alle ansett for å kunne bidra til å utvikle disse symptomene. Brukeren kan iverksette tiltak for mulig å redusere virkningene av vibrasjonene:

- Hold kroppen din varm i kaldt vær. Bruk hansker og hold hender og h ndledd varme ved bruk av produktet. Det er rapportert at kaldt vær er en viktig faktor som

bidrar til Raynauds Syndrome.

- Etter hver arbeidsperiode bør det utføres øvelser for å øke blodsirkulasjonen.
- Ta ofte pauser fra arbeidet som utføres. Begrenns mengden av eksponering pr. dag.
- Hvis du opplever noen av symptomene på denne tilstanden må du øyeblikkelig avbryte arbeidet og oppsøke en lege med disse symptomene.

## ⚠ ADVARSEL

Hvis man bruker verktøyet for lenge av gangen, kan det føre til eller forverre allerede eksisterende personskaade. Når du bruker et verktøy over en lenger tidsperiode, husk å ta regelmessige pauser.

## KJENN PRODUKTET DITT

Se side 139.

1. B ke h ndtak
2. L seknapp for avtrekker
3. Avtrekker
4. Gressklippeblad
5. Gressklippebladskjede
6. Buskblad
7. Buskbladskjede
8. Batteri
9. Utl serknapp for batteri
10. Lader
11. Bladsikreknott
12. Knivst tter
13. Gummi st pseldekse

## SYMBOLER P  PRODUKTET



Sikkerhetsalarm



Les og forst  alle instruksjer f r du tar i bruk produktet, f lg alle advarsler og sikkerhetsanvisninger.



Bruk  yebeskyttelse.



Bruk h rselvern.



Bruk sklisikre og kraftige beskyttelses hansker.



Ikke utsette for regn eller fuktige forhold.





For å hindre alvorlige personskader, ikke ta på kuttebladene.



Vær oppmerksom på utkastede eller flygende gjenstander. Hold tilskuere, spesielt barn og dyr, på god avstand, det vil si minst 15 meter fra arbeidsområdet.



Forsiktighetsregel! Kuttebladene fortsetter å rotere etter at motoren er slått av.



Avfall fra elektriske produkter skal ikke kastes sammen med husholdningsavfall. Vennligst resirkulervedeksisterende avfallsbehandlingssted. Undersøk hos dine lokale myndigheter eller forhandler for råd om resirkulering.



Dette verktøyet overholder samtlige standarder i det EU-landet det er kjøpt i.



EurAsian Konformitetstegn.



Ukrainsk merke for konformitet



Det garanterte lydtrykksnivået er på 86 dB og er angitt på etiketten.

## SYMBOLER I DENNE MANUALEN



Deler eller tilbehør solgt separat



Nb



Advarsel

EN  
FR  
DE  
ES  
IT  
NL  
PT  
DA  
SV  
FI  
**NO**  
RU  
PL  
CS  
HU  
RO  
LV  
LT  
ET  
HR  
SL  
SK  
BG  
UK  
TR

Følgende symboler og betydninger forklarer risikonivået som er assosiert med dette produktet.

### **FARE**

Indikerer en øyeblikkelig farlig situasjon, som, hvis ikke unngås, kan resultere i død eller alvorlig personskade.

### **ADVARSEL**

Indikerer en potensiell farlig situasjon, som, hvis ikke unngås, kan resultere i død eller alvorlig personskade.

### **FORSIKTIGHETSREGEL**

Indikerer en potensiell farlig situasjon, som, hvis ikke unngås, kan resultere i mindre eller moderat personskade.

### **FORSIKTIGHETSREGEL**

Uten sikkerhetsvarselsymbol

Indikerer en situasjon som kan føre til skade på eiendom.



При разработке этих беспроводных садовых ножниц особое внимание уделялось безопасности, производительности и надежности.

## НАЗНАЧЕНИЕ

Беспроводные газонные ножницы / кусторез предназначены для использования только в хорошо вентилируемой зоне вне помещений.

Изделие предназначено для домашнего использования. При использовании с насадкой-ножницами инструмент используется для легкой подрезки травы и сорняков.

При использовании с насадкой-кусторезом инструмент используется для легкой подрезки кустарников и живой изгороди.

Не используйте устройство для каких-либо иных целей.

## ОБЩИЕ ПРАВИЛА БЕЗОПАСНОСТИ

### ⚠ ОСТОРОЖНО

Прочтите все предупреждения и инструкции по технике безопасности. Несоблюдение приводимых ниже предупреждений и инструкций может привести к поражению электрическим током, возгоранию или тяжким телесным повреждениям.

Сохраните все предупреждения и инструкции по технике безопасности для последующего использования.

Термин "электроинструмент" в данном описании относится к инструментам с питанием от сети (проводные) и от аккумуляторных батарей (беспроводные).

### Безопасность на рабочем месте

- Рабочая зона должна быть свободна и хорошо освещена. Загромождение или плохое освещение рабочей зоны может привести к несчастным случаям.
- Не используйте электроинструмент во взрывоопасной среде, например в присутствии легковоспламеняющихся жидкостей, газов или пыли. В электроинструментах происходит искрообразование, что может привести к воспламенению пыли или газа.
- Не допускайте присутствия детей и посторонних лиц при работе с инструментом. Невнимательность может привести к утрате контроля.

### Электробезопасность

- Вилка кабеля питания инструмента должна соответствовать используемой розетке. Не подвергайте вилку кабеля каким-либо изменениям. Не используйте какие-либо переходники с электроинструментами с заземляющим проводом. Использование оригинальных штепсельных вилок и соответствующих розеток предотвращает опасность поражения электрическим током.

- Не допускайте контакта частей тела с поверхностями заземленных предметов, таких как трубы, радиаторы отопления, кухонные плиты, холодильники. При соприкосновении частей тела человека с заземленными участками возрастает опасность поражения электрическим током.
- Не допускайте попадания влаги на изделие и не используйте его во влажной атмосфере. Попавшая внутрь инструмента вода повышает опасность поражения электрическим током.
- Обращайтесь с кабелем питания надлежащим образом. Не используйте кабель для переноски, перемещения или отключения инструмента от сети питания. Оберегайте кабель от источников тепла, масляных и острых предметов и движущихся деталей. Поврежденные или запутанные провода повышают опасность поражения электрическим током.
- При работе с электроинструментом вне помещений пользуйтесь удлинительным кабелем, предназначенным для наружного применения. Использование кабеля, предназначенного для наружного применения, снижает опасность поражения электрическим током.
- Если нет возможности избежать работы в условиях повышенной влажности, подключайте инструмент через устройство защитного отключения. При использовании устройства защитного отключения снижается опасность поражения электрическим током.

### Личная безопасность

- Соблюдайте осторожность, следите за своими действиями и пользуйтесь здравым смыслом при работе с электроинструментом. Не пользуйтесь инструментом в состоянии усталости или под воздействием наркотических средств, алкоголя или медицинских препаратов. Малейшая невнимательность при работе с инструментом может привести к тяжкому телесному повреждению.
- Используйте средства индивидуальной защиты. Всегда надевайте средства защиты зрения. Средства защиты, такие как пылезащитная маска, нескользящая защитная обувь, шлем-каска, средства защита органов слуха, используемые надлежащим образом, снижают опасность телесного повреждения.
- Не допускайте случайного запуска. Перед подключением к источнику питания или установкой аккумуляторной батареи, подъемом или перемещением инструмента убедитесь, что переключатель находится в положении «выключено». Во избежание несчастных случаев при перемещении инструмента не держите пальцы на переключателе инструмента и не подключайте его к источнику питания при включенном положении переключателя.
- Перед включением инструмента уберите все







регулируемые и гаечные ключи. Гаечные или регулировочные ключи, оставленные на вращающихся частях инструмента, могут привести к телесному повреждению.

- Не перенапрягать. Старайтесь сохранять устойчивость и подыскивайте твердую опору. Это обеспечивает лучшую управляемость электроинструментом в непредвиденных ситуациях.
- Одевайтесь соответствующим образом. Не надевайте свободную одежду и украшения. Не допускайте попадания волос, одежды и перчаток в движущиеся части. Свободная одежда, украшения и длинные волосы могут попасть в движущиеся части.
- Если в инструменте предусмотрено использование устройства удаления и сбора пыли, обеспечьте их надежное крепление и надлежащее использование. Использование пылесборника снижает опасность, связанную с пылеобразованием.

#### Использование и обращение с инструментом

- Не прикладывайте чрезмерных усилий при работе с данным инструментом. В каждом случае используйте надлежащий электроинструмент. Правильно выбранный электроинструмент позволяет выполнить работу, для которой он предназначен, более качественно и более безопасно.
- Не пользуйтесь инструментом, если выключатель не включается или не выключается. Любой электроинструмент, не управляемый выключателем, представляет опасность и должен быть отремонтирован.
- Перед выполнением каких-либо регулировок, заменой приспособлений или хранением инструмента отключите вилку кабеля источника питания и/или аккумуляторной батареи от электроинструмента. Такие меры предосторожности помогут предотвратить опасность случайного пуска инструмента.
- Храните неиспользуемые электроинструменты в месте, недоступном для детей, а также не допускайте к использованию данного инструмента лиц, не знакомых с его работой или не ознакомленных с данными данными инструкциями. Инструмент в руках неподготовленного лица представляет опасность.
- Бережно обращайтесь с инструментом. Проверяйте инструмент на отсутствие перекосов или заклинивания движущихся частей, их неисправности или других причин, которые могут отразиться на работе инструмента. При повреждении инструмента перед его дальнейшим использованием его следует отремонтировать. Многие несчастные случаи вызваны ненадлежащим обращением с инструментом.
- Содержите режущее устройство в чистоте и заточенном виде. При надлежащем техническом обслуживании режущего инструмента снижается

вероятность застревания режущих частей и облегчается управляемость.

- Используйте инструмент, принадлежности, насадки и т.п. в соответствии с данными указаниями, и принимая во внимание условия работы и выполняемую работу. Использование данного электроинструмента не по назначению может создать опасную ситуацию.

#### Эксплуатация устройства с аккумуляторным питанием и уход за ним

- Зарядку выполняйте только с использованием зарядного устройства, указанного изготовителем. Зарядное устройство, подходящее к одному типу аккумуляторных батарей, может создать опасность возгорания при использовании с аккумуляторными батареями другого типа.
- Используйте электрические устройства только со специально предназначенными для них аккумуляторными батареями. Использование аккумуляторных батарей другого типа может привести к телесным повреждениям или возгоранию.
- Если аккумуляторная батарея не используется, храните ее отдельно от других металлических предметов, например канцелярских скрепок, монет, ключей, гвоздей, винтов и других мелких металлических предметов, которые могут привести к замыканию контактов батареи. Замыкание контактов батареи может вызвать ожоги или привести к возгоранию.
- При ненормальных условиях из батареи может вытечь жидкость, избегайте контакта с ней. Если этого избежать не удалось, смойте жидкость водой. Если жидкость попала в глаза, после их промывания обратитесь за медицинской помощью. Жидкость, вытекающая из батареи, может вызвать раздражение или ожог.

#### Обслуживание

- Техническое обслуживание и ремонт инструмента должно выполняться только квалифицированным специалистом с использованием взаимозаменяемых запасных частей. Это обеспечит нормальное техническое состояние устройства.

#### МЕРЫ ПРЕДОСТОРОЖНОСТИ ПРИ ИСПОЛЬЗОВАНИИ ГАЗОННЫХ НОЖНИЦ / КУСТОРЕЗА

##### ⚠ ОСТОРОЖНО

Режущие детали продолжают вращаться после выключения двигателя.

#### ОБУЧЕНИЕ

- Внимательно прочтите данные инструкции. Ознакомьтесь с элементами управления и правильным использованием устройства.
- Никогда не позволяйте детям или людям с





ограниченными физическими, сенсорными или умственными способностями, а также людям, незнакомым с этими инструкциями, использовать это устройство. Местные инструкции могут ограничить возраст оператора.

- Иметь в виду, что оператор или пользователь ответственны за несчастные случаи или опасности, встречающиеся другим людям или их собственности.

## ПОДГОТОВКА

- Проверьте устройство перед использованием. Замените поврежденные детали.
- Перед использованием очистите рабочую зону. Уберите такие объекты, как провода или шнуры, которые могут отлетать или запутываться в режущих принадлежностях.
- Не работайте с устройством, если рядом присутствуют посторонние лица, особенно дети, а также домашние животные.
- Замените треснувшие, расколотые и поврежденные режущие полотна и любые другие детали. Режущие детали должны быть установлены соответствующим образом и надежно закреплены. Невыполнение данного требования может привести к телесному повреждению работающего и посторонних лиц, а также повредить инструмент.
- Не пользуйтесь устройством, если выключатель не включается или не выключается. Любое изделие с неработающим выключателем представляет опасность и должно быть отремонтировано.
- Всегда перед включением инструмента проверяйте, чтобы на нем не оставалось регулировочных ключей.

## ЭКСПЛУАТАЦИЯ

- Чтобы снизить риск получения травмы, при работе с инструментом всегда носите защитную одежду, обувь и очки.
- Одевайтесь соответствующим образом. Не надевайте свисающую одежду и бижутерию, они могут застрять в движущихся деталях. При работе вне помещений рекомендуется носить перчатки, прочную обувь и длинные брюки.
- Избегайте использования устройства в плохих погодных условиях, особенно когда существует риск попадания молнии.
- Включайте двигатель только тогда, когда руки и ноги находятся вдали от режущих деталей.
- Берегите руки и ноги от получения травм от режущих деталей.
- Никогда не забывайте об окружающей обстановке и помните о возможных опасностях, о которых вы можете не подозревать из-за шума, создаваемого инструментом при работе.
- Использование некомплектного изделия или модифицированного изделия не допускается.

## ОСОБЕННОСТИ ТЕХНИКИ БЕЗОПАСНОСТИ ПРИ ЭКСПЛУАТАЦИИ ТРИММЕРА-КУСТОРЕЗА

- **Удерживайте режущее полотно на безопасном расстоянии от частей тела. Не пытайтесь удалить материал резания или удерживать разрезаемый материал при работающем режущих полотнах.** При очистке инструмента от замятого материала отключите питание. Малейшая невнимательность при работе с устройством может привести к серьезным травмам.
- **Переносите инструмент за ручку с остановленным режущим полотном.** При транспортировке или хранении шпалерных ножниц устанавливайте защитное покрытие на режущее устройство. Использование шпалерных ножниц в соответствии с указаниями предотвратит телесные повреждения от режущих полотен.
- **Держите только инструмент за изолированные поверхности, так как режущее полотно может задеть скрытую проводку или собственный кабель питания.** При повреждении режущим полотном провода, находящегося под напряжением, металлические части инструмента также могут оказаться под напряжением, что может привести к поражению работающего электрическим током.
- **Не допускайте попадания рук в зону резания.** Во время работы кабель может затеряться в кустах, и оператор может непреднамеренно разрезать его.
- Убедитесь, что в кустарнике нет посторонних предметов, таких как проволочные ограждения.

## ДОПОЛНИТЕЛЬНЫЕ УКАЗАНИЯ ПО БЕЗОПАСНОСТИ

- Во избежание случайного пуска двигателя, никогда не носите инструмент с пальцем, расположенном на дроссельном регуляторе.
- Надевайте тяжелые, длинные брюки, прочную обувь и перчатки по размеру. Не носите шорты и сандалии, также не ходите босиком.
- Перед установкой аккумуляторов убедитесь, что выключатель находится в выключенном положении. При установке аккумуляторов с выключателем во включенном положении возможно получение травм.
- Не работайте при недостаточном освещении. Используйте изделие при дневном свете или хорошем искусственном освещении.
- Держать устойчивую опору и баланс. Не перенапрягать. Перенапряжение может кончатся потерей баланса. Обеспечьте устойчивость ног при работе на склонах. Передвигайтесь шагом, не бегайте.
- Не прикладывайте чрезмерных усилий при работе с данным инструментом. Лучше и безопаснее выполнить работу на той скорости, на которую устройство рассчитано.
- Перед включением инструмента убедитесь, что режущие детали не находятся в контакте с какими-либо предметами. Если режущие детали ударяются о или запутываются в каких-либо предметах, немедленно выключите инструмент, извлеките





аккумуляторы и проверьте наличие повреждений. Не пользуйтесь инструментом с ослабленными или поврежденными деталями.

- Проверьте поврежденные детали, соединения или застревание подвижных частей и другие условия, которые могут повлиять на работу инструмента. Перед последующим использованием инструмента необходимо проверить остальные детали на целостность и способность выполнять свою функцию. В случае повреждения каких-либо деталей необходимо обратиться в авторизованный сервисный центр для их ремонта или замены.
- Чтобы снизить риск получения травмы от движущихся деталей, всегда останавливайте инструмент, извлеките аккумулятор и убедитесь, что все движущиеся части остановились и дайте инструменту остыть перед:
  - когда продукт оставляется без присмотра;
  - перед устранением забивания
  - перед проверкой, чистой и техобслуживанием продукта;
  - осмотром инструмента после удара о какой-либо предмет
  - если продукт начинает вибрировать
- Не касайтесь режущих полотен. Не пытайтесь удалить материал резания или удерживать разрезаемый материал при работающих режущих полотнах. При извлечении застрявшего в режущих деталях материала убедитесь, что аккумуляторы извлечены, а дроссельный регулятор не нажат. Поднимая или удерживая инструмент, не касайтесь открытых частей режущих полотен или режущих лезвий.
- Держите руки, лицо и ноги на безопасном расстоянии от движущихся деталей. Не трогайте и не старайтесь остановить режущие лопасти при их движении.
- Всегда выключайте двигатель, если хотите приостановить работу или перейти от одного участка к другому.
- Очищайте инструмент от обрезков травы и других материалов. Они могут застрять в режущих полотнах.
- Если инструмент не используется, устанавливайте защитную крышку.
- Не погружайте устройство в воду или под струю воды или другой жидкости. Содержите ручки в сухом и чистом виде, очищайте их мусора.
- Транспортировка и хранение
- Не пользуйтесь инструментом в случае повреждения защитных устройств или без установленных щитков или других защитных приспособлений.
- В случае аварии или поломки немедленно выключите двигатель и снимите аккумуляторную батарею. Не используйте устройство, обратитесь в гарантийное обслуживание для дальнейшей проверки.
- При хранении или транспортировке инструмента всегда надевайте на лезвия защитный кожух.

- Тщательно очищайте инструмент перед тем, как поместить его на хранение. Храните устройство в сухом помещении с достаточной вентиляцией вне зоны доступа детей. Не держите бензопилу рядом с коррозионными веществами, такими как садовые химикаты или размораживающая соль.
- Храните аккумуляторы и производите их замену в прохладном помещении. Температура выше или ниже нормальной комнатной температуры сокращает срок годности аккумуляторов.
- Никогда не храните аккумуляторы в разряженном состоянии. Подождите, когда аккумуляторы остынут и зарядите их немедленно.
- Для транспортировки закрепите изделие так, чтобы оно не могло перемещаться или упасть во избежание травмирования персонала или повреждения изделия.

### ПЕРЕВОЗКА ЛИТІЕВЫХ БАТАРЕЙ

Транспортировку батареи осуществляйте в соответствии местными и национальными нормами и положениями.

Следуйте всем особым требованиям к упаковке и маркировке при транспортировке батареи в сторонние организации. Проверьте, чтобы батарея не соприкасалась с другими батареями или токопроводящими материалами во время транспортировки, защитив открытые контакты с помощью изоляции, непроводящих колпачков или пленки. Не транспортируйте поврежденные или протекающие батареи. За консультацией обращайтесь в транспортно-экспедиционную компанию.

### ТЕХНИЧЕСКОЕ ОБСЛУЖИВАНИЕ

#### **⚠ ОСТОРОЖНО**

Используйте только оригинальные запчасти, аксессуары и насадки от производителя. Невыполнение этого требования может привести к травме, к снижению производительности и к аннулированию гарантии.

#### **⚠ ОСТОРОЖНО**

Обслуживание требует чрезвычайной заботы и знания и должно быть выполнено только квалифицированным техником обслуживания. Обратитесь в авторизованный сервисный центр для техобслуживания. При выполнении технического обслуживания используйте только оригинальные запчасти от производителя.

- Надевайте перчатки при работе с режущими деталями.
- Бережно обращайтесь с устройством. Чтобы снизить риск травм и улучшить производительность инструмента всегда содержите режущий край чистым и острым. Выполняйте инструкции по проведению смазки и замене принадлежностей. Содержите ручки в сухом и чистом виде, очищайте



их от масла и смазки.

- Перед проведением технического обслуживания или очистки выключите устройство и извлеките аккумуляторный блок.
- После каждого использования протирайте корпус и ручки изделия мягкой сухой тканью.
- После каждого использования, очистите лезвия от мусора жесткой щеткой, а затем аккуратно нанесите на него антикоррозионную смазку перед установкой защитного приспособления для лезвия. Производитель рекомендует использовать антикоррозионную распыляемую смазку, чтобы нанести ровный слой и снизить риск получения травмы от контакта с лезвиями. Для получения информации о подходящих распыляемых смазках свяжитесь с местным авторизованным сервисным центром.
- При очистке пластмассовых деталей не допускается использовать растворители. Большинство пластмасс восприимчиво, чтобы повредиться от различных типов коммерческих растворителей и может быть повреждено их использованием. Для очистки от грязи, пыли, масла, смазки и т.п. используйте протирачную тряпку.
- Всегда проверяйте устройство на отсутствие грязи в вентиляционных отверстиях.
- Регулярно проверяйте режущие полотна на отсутствие повреждений и износ.
- При замене режущих полотен используйте только изделия от производителя.
- Для облегчения эксплуатации и продления срока службы лезвий всегда смазывайте их до и после каждого использования. Перед смазкой извлеките аккумуляторы и положите лезвия на плоскую поверхность. Для смазки кромок режущего полотна используйте легкое машинное масло. Не наносите смазку на включенный инструмент.

### БУДЬТЕ ВСЕГДА ОСТОРОЖНЫ

Даже когда изделие используют согласно инструкциям, невозможно полностью устранить факторы риска. При эксплуатации могут возникнуть следующие ситуации, которым пользователь должен уделять особое внимание, чтобы избежать проблем:

- Травмы, вызываемые вибрацией.
  - Держите изделие только за предназначенные для этого ручки и соблюдайте рабочий режим.
- Повреждение слуха, вызываемое воздействием шума.
  - Носите устройства защиты слуха и ограничивайте продолжительность шумового воздействия.
- травма от контакта с лезвием
  - Лопасты не могут быть защищены во время резки. Держать лезвие подальше от себя и других лиц. Если инструмент не используется, устанавливайте защитную крышку.

### СНИЖЕНИЕ РИСКА

Считается, что вибрация ручного инструмента может привести к проявлению у отдельных лиц так называемой болезни Рейно (Raynaud's Syndrome). К симптомам могут относиться покалывание, онемение и побеление пальцев (как при переохлаждении). Считают, что наследственные факторы, охлаждение и влажность, диета, курение и практический опыт способствуют развитию этих симптомов. Ниже приводятся меры, которые может принять оператор для снижения воздействия вибрации:

- Одевайтесь теплее в холодную погоду. При эксплуатации изделия носите перчатки, чтобы сохранить руки и запястья в тепле. Считается, что холодная погода является основным фактором, способствующим возникновению болезни Рейно (Raynaud's Syndrome).
- После каждого этапа работы выполните упражнения для усиления кровообращения.
- Чаще делайте перерывы в работе. Сократите длительность ежедневного пребывания на открытом воздухе.
- При появлении каких-либо из указанных симптомов сразу же прекратите работу и обратитесь по их поводу к врачу.

### ⚠ ОСТОРОЖНО

Слишком продолжительное использование инструмента может привести к травме. При использовании инструмента в течение длительного времени делайте регулярные перерывы.

### ИЗУЧИТЕ УСТРОЙСТВО

См. стр. 139.

1. Задняя ручка
2. Кнопка блокировки выключателя
3. Курковый выключатель
4. Лезвие газонных ножниц
5. Кожух лезвия газонных ножниц
6. Лезвие кустореза
7. Кожух лезвия кустореза
8. Аккумулятор
9. Кнопка фиксатора батареи
10. Зарядное устройство
11. Ручка фиксации лезвия
12. Основание режущего лезвия
13. Резиновая крышка розетки

### УСЛОВНЫЕ ОБОЗНАЧЕНИЯ НА ПРОДУКТЕ



Внимание



Внимательно прочитайте все инструкции перед началом работы с продуктом, соблюдайте все предупреждения и инструкции по безопасности.



Используйте средства защиты органов зрения.



Следует надевать средства защиты органов слуха.



Надевайте нескользящие защитные перчатки для тяжелых условий работы.



Не подвергайте инструмент воздействию дождя и не используйте в условиях повышенной влажности.



Во избежание серьезных травм не касайтесь режущих лезвий.



Помните об опасности, которую представляют собой отбрасываемые устройством или вылетающие из-под него предметы. Не допускайте приближения посторонних лиц, особенно детей и домашних животных к рабочей зоне ближе чем на 15 м.



**Uwaga!** Режущие детали продолжают вращаться после выключения двигателя.



Отработанная электротехническая продукция должна уничтожаться вместе с бытовыми отходами. Утилизируйте, если имеется специальное техническое оборудование. По вопросам утилизации проконсультируйтесь с местным органом власти или предприятием розничной торговли.



Настоящий инструмент отвечает всем официальным стандартам страны ЕС, в которой он был приобретен.



Знак Евразийского Соответствия  
Сертификат Соответствия  
№ TC RU C-DE.PC52.B.00792  
Срок действия Сертификата  
Соответствия По 28.11.2021  
ООО «Региональный центр оценки  
соответствия»  
123060 г. Москва ул. Маршала  
Рыбалко  
дом 2 корпус 9 помещение 638



Украинский знак стандартизации



Гарантированный уровень звуковой мощности, указанный на настоящей табличке, составляет 86 дБ.

Следующие сигнальные слова и значения предназначены, чтобы объяснить уровни риска, связанного с этим изделием.

#### **⚠ ОПАСНО**

Указывает неизбежно опасную ситуацию, которая, если не избежать, кончится смертельным или серьезным ущербом.

#### **⚠ ОСТОРОЖНО**

Указывает потенциально опасную ситуацию, которая, если не избежать, может кончиться смертельным или серьезным ущербом.

#### **⚠ ПРЕДОСТЕРЕЖЕНИЕ**

Указывает потенциально опасную ситуацию, которая, если не избежать, может кончиться малым или уменьшенным ущербом.

#### **ПРЕДОСТЕРЕЖЕНИЕ**

Употребляется без предупреждающего знака. Указывает на ситуацию, которая может привести к повреждению имущества.

### УСЛОВНЫЕ ОБОЗНАЧЕНИЯ В ДАННОМ РУКОВОДСТВЕ



Детали или принадлежности, приобретаемые отдельно



Примечание



Осторожно

**Транспортировка:**

Категорически не допускается падение и любые механические воздействия на упаковку при транспортировке.

При разгрузке/погрузке не допускается использование любого вида техники, работающей по принципу зажима упаковки.

**Хранение:**

Необходимо хранить в сухом месте.

Необходимо хранить вдали от источников повышенных температур и воздействия солнечных лучей.

При хранении необходимо избегать резкого перепада температур.

Хранение без упаковки не допускается.

**Срок службы изделия:**

Срок службы изделия составляет 5 лет.

Не рекомендуется к эксплуатации по истечении 5 лет хранения с даты изготовления без предварительной проверки.

**Дата изготовления** (код даты) отштампован на поверхности корпуса изделия.

Пример:

W17 Y2015, где Y2015 - год изготовления

W17 – неделя изготовления

Определить месяц изготовления можно согласно приведенной ниже таблице, на примере 2015 года.

**Обратите внимание!** Количество недель в месяце различается от года в год.

Месяц	Январь	Февраль	Март	Апрель	Май	Июнь	Июль	Август	Сентябрь	Октябрь	Ноябрь	Декабрь	Год
Неделя	01	05	09	14	18	22	27	31	36	40	44	49	2015
	02	06	10	15	19	23	28	32	37	41	45	50	
	03	07	11	16	20	24	29	33	38	42	46	51	
	04	08	12	17	21	25	30	34	39	43	47	52	
	05	09	13	18	22	26	31	35	40	44	48	53	
			14			27							

Bezpieczeństwo, wydajność oraz niezawodność zostały potraktowane jako główny priorytet przy opracowywaniu bezprzewodowych nożyc do trawy/krzewów.

## PRZEZNACZENIE

Bezprzewodowe nożyce do trawy/krzewów są przeznaczone do użytku na zewnątrz, w dobrze wentylowanym obszarze.

Produkt jest przeznaczony do domowego użytkowania.

Produkt używany z przystawką nożycową jest przeznaczony do lekkiego przycinania trawy i chwastów.

Produkt używany z przystawką do krzewów jest przeznaczony do lekkiego przycinania krzewów i żywopłotów.

Nie używać do żadnych innych celów.

## OGÓLNE OSTRZEŻENIA DOTYCZĄCE BEZPIECZEŃSTWA

### ⚠ OSTRZEŻENIE

Zapoznaj się ze wszystkimi zasadami bezpieczeństwa i instrukcjami. Niezastosowanie się do ostrzeżeń i instrukcji może spowodować porażenie prądem, pożar oraz/lub poważne obrażenia ciała.

Zachowajcie te ostrzeżenia i zalecenia, aby móc się do nich odnieść w późniejszym czasie.

Termin "elektronarzędzia" stosowany w przedstawionych tu zasadach bezpieczeństwa odnosi się zarówno do urządzeń zasilanych z sieci energetycznej (przewodowych) jak i urządzeń zasilanych z akumulatora (bezprzewodowych).

### Otoczenie robocze

- **Miejsce pracy musi być utrzymywane w czystości i dobrze oświetlone.** Obszary zaśnieżone lub niewystarczająco oświetlone mogą być przyczyną wypadku.
- **Nie wolno uruchamiać urządzeń elektrycznych w miejscach, gdzie grozi to wybuchem, na przykład w pobliżu łatwopalnych cieczy, gazów lub pyłów.** Urządzenia elektryczne mogą wytwarzać iskry, które mogą być przyczyną zaplonu pyłów lub oparów.
- **Podczas używania narzędzi elektrycznych należy utrzymywać osoby postronne i dzieci z dala od miejsca pracy.** Odwrócenie uwagi operatora może spowodować utratę kontroli nad urządzeniem.

Zasady bezpieczeństwa dotyczące obsługi urządzeń elektrycznych

- **Wtyczki zasilania elektronarzędzi muszą pasować do gniazd sieciowych.** Nie wolno modyfikować wtyczek w żaden sposób. Nie wolno używać żadnych przejściówek do podłączania urządzeń posiadających przewód zasilania z uziemieniem. Stosowanie oryginalnych wtyczek i dopasowanych gniazd sieciowych zmniejsza ryzyko porażenia prądem.
- **Unikać kontaktu ciała z powierzchniami uziemionymi lub podłączonymi do bieguna zerowego, np. rury, instalacje grzewcze i chłodnicze.** Kontakt ciała z

masą lub uziemieniem zwiększa ryzyko porażenia prądem.

- **Nie narażać tego produktu na działanie deszczu lub wody.** Przedostanie się wody do wnętrza elektronarzędzia zwiększa ryzyko porażenia prądem.
- **Nie uszkodzić przewodu zasilania. Nie wolno używać przewodu zasilania do przenoszenia, ciągnięcia urządzenia lub jego odłączania z gniazda sieciowego. Przewody elektryczne trzymać z dala od źródeł ciepła, oleju, ostrych krawędzi lub ruchomych elementów.** Uszkodzony lub zaplątany przewód elektryczny zwiększa ryzyko porażenia prądem.
- **W przypadku używania urządzenia na zewnątrz, ewentualne przedłużacze muszą być do tego przystosowane.** Zastosowanie przedłużacza przystosowanego do warunków zewnętrznych zmniejsza ryzyko porażenia prądem.
- **Jeśli nie można uniknąć użytkowania urządzenia elektrycznego w warunkach wilgotnych, należy je zasilać z obwodu zabezpieczonego wyłącznikiem różnicowo-prądowym (RCD).** Zastosowanie takiego wyłącznika pozwala zmniejszyć ryzyko porażenia prądem elektrycznym.

### Bezpieczeństwo osobiste

- **Zachowywać skupienie, uważnie obserwować wykonywane czynności, stosować zasady zdrowego rozsądku podczas obsługi urządzenia. Nie używać urządzeń elektrycznych w stanie zmęczenia lub będąc pod wpływem leków, alkoholu lub środków odurzających.** Moment nieuwagi podczas obsługi elektronarzędzia może być przyczyną poważnego zranienia.
- **Stosować środki ochrony osobistej. Zawsze nosić okulary ochronne.** Stosowanie takich środków ochrony osobistej jak maska przeciwpyłowa, obuwie antypoślizgowe, twarde nakrycie głowy, nauszники pozwoli zmniejszyć ryzyko zranienia.
- **Unikać możliwości przypadkowego uruchomienia urządzenia. Przed podłączeniem do zasilania/założeniem akumulatora lub w celu jego podniesienia lub przeniesienia należy upewnić się, że wyłącznik zasilania znajduje się w położeniu wyłączonym.** Przenoszenie elektronarzędzia z palcem na wyłączniku lub podłączenie zasilania do urządzenia, w którym wyłącznik znajduje się w położeniu włączonym grozi wypadkiem.
- **Usunąć wszelkie narzędzia i klucze przed włączeniem zasilania.** Uruchomienie elektronarzędzia z kluczem założonym na ruchomym elemencie grozi poważnym wypadkiem.
- **Nie sięgać zbyt daleko. Należy cały czas pewnie opierać stopy i utrzymywać równowagę.** Zapewni to lepsze panowanie nad urządzeniem w nieprzewidywanych sytuacjach.
- **Należy zakładać odpowiednią odzież ochronną. Nie zakładać luźnego ubioru ani biżuterii. Trzymać włosy, ubranie i okulary z dala od ruchomych elementów.** Mogą być one wciągnięte przez ruchome części urządzenia.



- Jeśli używane urządzenie posiada przyłącze do wyciągu i gromadzenia kurzu, należy go używać w odpowiedni sposób. Stosowanie metod usuwania pyłu zmniejsza zagrożenie związane z jego gromadzeniem.

#### Użytkowanie i konserwacja urządzeń elektrycznych

- Nie przeciążać urządzenia. Używać odpowiedniego narzędzia do odpowiedniego rodzaju prac. Najlepsze efekty pracy, przy zachowaniu pełnego bezpieczeństwa, zapewni używanie urządzeń w zakresie parametrów znamionowych i stosownie do ich przeznaczenia.
- Nie używać tego urządzenia, jeśli wyłącznik nie pracuje poprawnie. Używanie elektronarzędzia bez sprawnego wyłącznika jest zbyt niebezpieczne - należy oddać je do naprawy.
- Przed przystąpieniem do regulacji, wymiany akcesoriów lub przed odłożeniem elektronarzędzia w miejsce przechowywania należy wyjąć wtyczkę z gniazda sieciowego lub wyjąć akumulator. Tego rodzaju środki zapobiegawcze pozwolą zmniejszyć ryzyko przypadkowego uruchomienia elektronarzędzia.
- Nieużywane urządzenia należy przechowywać poza zasięgiem dzieci. Nie wolno zezwalać osobom nieobeznanym z obsługą urządzeń elektrycznych na ich używanie. Urządzenia elektryczne mogą być niebezpieczne w rękach osób nieposiadających odpowiedniego przygotowania.
- Urządzenia elektryczne wymagają konserwacji. Należy sprawdzać wyrownanie elementów ruchomych, sprawdzać, czy nie ma jakichkolwiek uszkodzeń, uwzględniać wszelkie aspekty mające wpływ na bezpieczną pracę urządzenia. W przypadku stwierdzenia uszkodzeń, oddać urządzenie do naprawy. Wiele wypadków spowodowane jest używaniem urządzeń w niewłaściwym stanie technicznym.
- Elementy tnące muszą być ostre i czyste. Odpowiednio ostre krawędzie tnące ułatwią prowadzenie urządzenia i są bardziej odporne na uszkodzenie.
- Wszelkie urządzenia, przystawki, akcesoria itp. należy używać zgodnie z dołączonymi instrukcjami obsługi, z uwzględnieniem warunków i charakteru wykonywanej pracy. Używanie narzędzi w sposób niezgodny z ich przeznaczeniem grozi poważnym niebezpieczeństwem.

#### Użytkowanie i obsługa akumulatora

- Ładować wyłącznie za pomocą ładowarki dostarczonej przez producenta. Ładowarka przeznaczona do jednego modelu akumulatora może być przyczyną pożaru w przypadku zastosowania do ładowania akumulatora innego typu.
- Używać narzędzi ręcznych z napędem elektrycznym wyłącznie z akumulatorami przeznaczonymi do tych urządzeń. Używanie innych akumulatorów wiąże się ze zwiększonym ryzykiem pożaru lub obrażeń ciała.
- Gdy akumulator nie jest używany, przechowywać go z dala od innych metalowych przedmiotów, np. spinaczy, monet, kluczy, gwoździ, śrub lub innych

małych metalowych przedmiotów, które mogłyby utworzyć połączenie między stykami, prowadząc do zwarcia. Zwarcie styków akumulatora może spowodować oparzenia lub pożar.

- W przypadku niewłaściwej obsługi może dojść do wycieku płynu z akumulatora, należy unikać kontaktu z tym płynem. Miejsce ewentualnego kontaktu przepłukać wodą. W przypadku, gdy płyn dostanie się do oczu, po przemyciu zwrócić się o pomoc do lekarza. Płyn wyciekający z akumulatora może powodować podrażnienia i oparzenia.

#### Konserwacja

- Urządzenie elektryczne powinno być naprawiane przez wykwalifikowany personel, z zastosowaniem identycznych części zamiennych. Dzięki temu zapewnione będzie bezpieczeństwo użytkownika urządzenia.

### OSTRZEŻENIA DOTYCZĄCE BEZPIECZEŃSTWA UŻYTKOWANIA NOŻYC DO TRAWY/KRZEWÓW

#### ⚠ OSTRZEŻENIE

Należy pamiętać, że po wyłączeniu silnika element tnący nadal pracuje.

#### SZKOLENIE

- Przeczytać uważnie wszystkie instrukcje. Należy zapoznać się z przyrządami sterowania oraz zasadami prawidłowej obsługi produktu.
- Nie wolno pozwalać używać tego produktu dzieciom lub osobom o ograniczonych zdolnościach fizycznych, sensorycznych lub umysłowych ani osobom, które nie przeczytały tych instrukcji. Przepisy lokalne mogą ograniczać dopuszczalny wiek operatora.
- Należy pamiętać, że operator lub użytkownik jest odpowiedzialny za spowodowanie wypadku lub zagrożenia bezpieczeństwa osób i mienia.

#### PRZYGOTOWANIE

- Sprawdzić stan techniczny urządzenia przed każdym użyciem. Wymienić uszkodzone elementy.
- Przed każdym użyciem oczyścić obszar cięcia. Należy usunąć wszelkie objekty, takie jak przewody, światła lub druty, ponieważ mogą być one odrzucone przez ostrza lub mogą się w nie zaplątać.
- Nie wolno używać tego urządzenia, gdy w pobliżu znajdują się osoby postronne, szczególnie dzieci lub zwierzęta.
- Wymienić pęknięte, wyszczerbione lub uszkodzone ostrza i wszelkie inne elementy. Należy upewnić się, że element tnący jest należycie zamontowany i dokładnie zamocowany. W przeciwnym wypadku może dojść do zranienia operatora, osób postronnych lub uszkodzenia urządzenia.
- Nie wolno używać tego urządzenia, jeśli wyłącznik nie pracuje poprawnie. Używanie urządzenia bez sprawnego wyłącznika jest zbyt niebezpieczne - należy oddać je do naprawy.







- Wyrobić w sobie nawyk sprawdzania przed uruchomieniem produktu, czy zostały z niego usunięte klucze i narzędzia do regulacji.

## SPOSÓB UŻYCIA

- Aby zmniejszyć ryzyko obrażeń ciała, podczas używania produktu zawsze nosić pełną ochronę oczu, obuwie i odzież.
- Należy zakładać odpowiednią odzież ochronną. Nie nosić luźnej odzieży ani biżuterii. Mogą zostać wciągnięte przez ruchome części produktu. Podczas pracy na zewnątrz zalecane jest noszenie rękawic, mocnego obuwia i długich spodni.
- Należy unikać używania produktu w złych warunkach pogodowych, szczególnie jeśli występuje ryzyko wyładowań atmosferycznych.
- Włączać silnik tylko wtedy, gdy ręce i stopy znajdują się z dala od elementu tnącego.
- Uważać, by element tnący nie spowodował zranienia stóp i rąk.
- Należy zawsze pamiętać o otoczeniu i zachować czujność, aby uniknąć możliwych zagrożeń, które mogą być niesłyszalne z powodu hałasu wytwarzanego przez maszynę.
- Nigdy nie próbować używać produktu niekompletnego lub zmodyfikowanego w sposób niezatwierdzony.

## OSTRZEŻENIA DOTYCZĄCE BEZPIECZNEJ OBSŁUGI NOŻYC DO ŻYWOPŁOTU

- **Wszystkie kończyny należy trzymać z dala od ostrza. Nie usuwać nagromadzonej ścinki ani nie trzymać gałęzi do przecięcia w rękach gdy ostrza pracują. Przed przystąpieniem do usuwania nagromadzonego materiału upewnić się, że urządzenie jest wyłączone.** Chwila nieuwagi podczas obsługi urządzenia może spowodować poważne urazy ciała.
- **Przycinarkę należy przenosić trzymając za rękojęść, ostrza nie mogą pracować. Do transportu lub przechowywania zakładać osłonę na element tnący.** Odpowiednie obchodzenie się z przycinarką pozwoli zmniejszyć ryzyko zranienia przez jej ostrza.
- **Elektronarzędzie należy trzymać wyłącznie za przewidziane do tego celu izolowane uchwyty, ponieważ istnieje ryzyko przypadkowego zetknięcia się ostrza z niewidocznym przewodem elektrycznym lub własnym przewodem.** Kontakt ostrza z przewodem pod napięciem może spowodować przepływ prądu przez metalowe elementy urządzenia i porażenie operatora.
- **Przewód zasilania trzymać z dala od obszaru cięcia.** Podczas pracy kabel może być ukryty w krzakach i można go przypadkowo przeciąć ostrzem.
- Należy sprawdzić, czy w żywopłocie nie ma obcych obiektów, takich jak drut ogrodzenia.

## DODATKOWE OSTRZEŻENIA DOTYCZĄCE BEZPIECZENSTWA

- Aby uniknąć przypadkowego uruchomienia, nie przenosić produktu, trzymając palec na przycisku

przepustnicy.

- Nosić ciężkie, długie spodnie, mocne obuwie i dobrze dopasowane rękawice. Nie nosić krótkich spodni i sandałów, ani nie pracować z bosymi stopami.
- Przed włożeniem akumulatora upewnić się, czy przełącznik znajduje się w pozycji wyłączenia. Wkładanie akumulatora, kiedy przełącznik jest włączony, stwarza ryzyko wypadku.
- Nie pracować w słabym oświetleniu. Produkt należy używać przy świetle dziennym lub przy dobrym oświetleniu sztucznym.
- Stać stabilnie, zachowując równowagę. Nie sięgać zbyt daleko. Sięganie zbyt daleko grozi utratą równowagi. Na zboczach należy zawsze stać w sposób pewny. Podczas pracy należy chodzić, nie wolno biegać.
- Nie przeciążać urządzenia. Urządzenie będzie niewydajniejsze i najniebezpieczniejsze w obsłudze, jeśli będzie używane zgodnie z zamierzonymi parametrami pracy.
- Przed uruchomieniem produktu należy upewnić się, czy element tnący nie zetknie się z jakimkolwiek obiektem. Jeżeli element tnący uderzy lub zaplącze się w ciało obce, natychmiast zatrzymać produkt, wyjąć akumulator i sprawdzić, czy produkt nie jest uszkodzony. Nie uruchamiać urządzenia z obluźowanymi lub uszkodzonymi podzespołami.
- Sprawdzić pod kątem uszkodzonych części, wyrównania lub uwieżnienia części ruchomych lub innej sytuacji mającej wpływ na działanie produktu. Przed dalszym używaniem produktu należy dokładnie sprawdzić inne uszkodzone części i ustalić, czy produkt będzie działał poprawnie i spełniał swoją funkcję. Wszelkie uszkodzone części powinny zostać należycie naprawione lub wymienione przez autoryzowane centrum serwisowe.
- Aby zmniejszyć ryzyko obrażeń ciała wynikające z zetknięcia z ruchomymi częściami, zawsze zatrzymywać produkt, usuwać akumulator i sprawdzać, czy wszystkie części ruchome całkowicie się zatrzymały przed:
  - zawsze, gdy urządzenie jest pozostawiane bez nadzoru,
  - przed usuwaniem zatoru
  - przed sprawdzeniem, czyszczeniem i użytkowaniem produktu,
  - kontrolą produktu po uderzeniu w ciało obce
  - jeśli produkt zacznie wibrować w nietypowy sposób
- Nie zbliżać rąk do ostrzy. Nie usuwać nagromadzonej ścinki ani nie trzymać gałęzi do przecięcia w rękach gdy ostrza pracują. Usuwać zablokowany materiał z elementu tnącego, upewnić się, czy został wyjęty akumulator i zwolniony przycisk przepustnicy. Nie chwytaj za odsłonięte ostrza tnące lub krawędzie tnące podnosząc lub przenosząc urządzenie główne.
- Trzymać ręce, twarz i stopy w bezpiecznej odległości od ruchomych części produktu. Nie dotykać ani nie próbować zatrzymać noża będącego w ruchu.
- Kiedy moment cięcia jest opóźniony lub przechodzący z jednego miejsca przycinania w inne, zawsze zatrzymywać silnik.

EN
FR
DE
ES
IT
NL
PT
DA
SV
FI
RU
NO
PL
CS
HU
RO
LV
LT
ET
HR
SL
SK
BG
UK
TR





- Utrzymywać produkt w czystości, bez ścinków trawy i innych materiałów. Mogą one utkwąć w ostrzach tnących.
- Zawsze należy zakładać osłonę ostrza, gdy produkt nie jest używany.
- Nie zanurzać ani nie spryskiwać urządzenia wodą ani żadnym innym płynem. Uchwyty utrzymywać w czystości, w stanie suchym, wolnym od ciał obcych.
- Transport i przechowywanie
- Nie wolno używać urządzenia z uszkodzonymi osłonami lub pokrywami lub bez elementów zabezpieczających.
- W razie wypadku lub awarii należy natychmiast wyłączyć urządzenie i wyjąć z niego baterię. Nie należy włączać produktu ponownie, dopóki nie zostanie w pełni sprawdzony przez autoryzowane centrum serwisowe.
- Transportując lub przechowując produkt, zawsze założyć osłonę ostrza.
- Przed rozpoczęciem przechowywania dokładnie oczyścić produkt. Przechowywać produkt w suchym i dobrze wentylowanym miejscu niedostępnym dla dzieci. Nie chowajcie jej w pobliżu czynników żrących, takich jak ogrodowe produkty chemiczne czy sole odmrażające.
- Przechowywać i ładować akumulator w chłodnym miejscu. Temperatury wyższe lub niższe niż temperatura pokojowa wpływają na skrócenie czasu pracy akumulatora.
- Nigdy nie przechowywać akumulatora w stanie rozładowanym. Poczekać, aż akumulator ostygnie i natychmiast naładować.
- W przypadku transportu produktu należy zabezpieczyć go przed przemieszczaniem się lub upadkiem, aby nie dopuścić do obrażeń ciała lub uszkodzenia urządzenia.

#### TRANSPORTOWANIE AKUMULATORÓW LITOWYCH

Akumulatory należy transportować zgodnie z lokalnymi i krajowymi przepisami i regulacjami.

Należy postępować zgodnie z wszystkimi specjalnymi wymaganiami dotyczącymi pakowania i etykietowania akumulatorów podczas transportu przez stronę trzecią. Upewnij się, że żadne akumulatory nie zetkną się z innymi akumulatorami lub materiałami przewodzącymi podczas transportu; w tym celu należy zabezpieczyć odkryte złącza nieprzewodzącymi nakładkami izolacyjnymi lub taśmą izolacyjną. Nie należy transportować pękniętych ani nieszczelnych akumulatorów. Szczegółowe porady można uzyskać w firmie spedycyjnej.

#### KONSERWACJA

##### **⚠ OSTRZEŻENIE**

Należy stosować wyłącznie oryginalne części zamienne, akcesoria oraz przystawki producenta. W przeciwnym razie może dojść do obrażeń ciała, niskiej wydajności oraz do unieważnienia gwarancji.

##### **⚠ OSTRZEŻENIE**

Serwisowanie wymaga wyjątkowej staranności i wiedzy. Może być wykonywane wyłącznie przez wykwalifikowany personel serwisowy. Serwisowanie produktu należy zlecić autoryzowanemu przedstawicielowi serwisu. Do serwisowania należy stosować wyłącznie oryginalne części zamienne producenta.

- Podczas konserwacji elementu tnącego nosić rękawice.
- Zachować ostrożność podczas konserwacji tego urządzenia. Aby zminimalizować ryzyko obrażeń ciała i aby krawędź tnąca działała jak najlepiej, należy utrzymywać ją w czystości i w stanie naostrzonym. Przestrzegać instrukcji smarowania i wymiany przystawek i akcesoriów. Uchwyty utrzymywać w czystości, muszą być zawsze suche, wolne od oleju i smarów.
- Przed przystąpieniem do konserwacji lub czyszczenia należy zawsze wyłączyć urządzenie i wyjąć akumulator.
- Po każdym użyciu należy wyczyścić korpus oraz uchwyty produktu miękką, suchą szmatką.
- Po każdym użyciu należy usunąć pozostałości z ostrzy za pomocą sztywnej szczotki, a następnie, przed montażem osłony ostrza, ostrożnie nanieść środek smary chroniący przed rdzą. Producent zaleca stosowanie natryskowego środka smarnego chroniącego przed rdzą w celu naniesienia równomiernej warstwy oraz aby ograniczyć ryzyko obrażeń ciała na skutek kontaktu z ostrzami. Informacje na temat odpowiedniego produktu natryskowego można uzyskać w lokalnym autoryzowanym punkcie serwisowym.
- Unikać stosowania rozpuszczalników do czyszczenia plastikowych części. Większość plastików jest wrażliwa na rozmaite rozpuszczalniki dostępne w handlu i może ulec uszkodzeniu przez ich stosowanie. Do usuwania brudu, kurzu, oleju, smaru itp. należy używać czystej szmatki.
- Otwory wentylacyjne należy utrzymywać w stanie wolnym od zanieczyszczeń.
- Systematycznie sprawdzać ostrza na oznaki uszkodzenia i zużycia.
- Element tnący należy wymieniać wyłącznie na zamiennik zgodny ze specyfikacją producenta.
- Dla ułatwienia obsługi i w celu wydłużenia żywotności ostrzy, należy je smarować przed każdym użyciem i po zakończeniu pracy. Przed smarowaniem należy wyjąć akumulator i położyć ostrza na płaskiej powierzchni. Wzdłuż krawędzi górnego ostrza nałożyć lekki olej maszynowy. Nie nakładać oleju, gdy produkt pracuje.

#### **RYZYKO ZWIĄZANE Z UŻYTKOWANIEM:**

Nawet jeśli produkt jest używany zgodnie z zaleceniami, nadal nie jest możliwe wyeliminowanie określonych czynników ryzyka. Następujące zagrożenia mogą wystąpić podczas używania urządzenia i operator powinien zwracać szczególną uwagę na poniższe punkty:

- Urazy ciała spowodowane przez wibracje.
  - Należy trzymać produkt za odpowiednie uchwyty



oraz stosować się do zaleceń dotyczących czasu pracy i narażenia.

- Uszkodzenie słuchu spowodowane narażeniem na hałas.
  - Należy nosić środki ochrony uszu oraz ograniczyć poziom narażenia.
- Urazy ciała spowodowane kontaktem z ostrzem
  - Ostrzy nie można zabezpieczyć podczas cięcia. Nie zbliżać ostrza do swojego ciała ani do innych osób. Zawsze należy zakładać osłonę ostrza, gdy produkt nie jest używany.

### OGRANICZENIE RYZYKA

Badania dowodzą, że wibracje powodowane przez narzędzia ręczne mogą wywoływać u niektórych osób objawy syndromu Raynauda. Typowe objawy to mrowienie, drętwienie i blednięcie palców, widoczne zwykle po wystawieniu na działanie zimna. Uważa się, że czynniki dziedziczne, wystawienie na działanie zimna i wilgoci, dieta, palenie papierosów i przyjęte zwyczaje przyczyniają się do rozwoju tych objawów. Istnieją środki zaradcze, które może podjąć operator narzędzia, aby zmniejszyć efekt wibracji:

- Zadbaj w niskich temperaturach o ciepłość własnego ciała, zakładając odpowiednie ubranie. Podczas obsługi produktu należy nosić rękawice, aby dłonie i nadgarstki były ciepłe. Wiadomo, że niskie temperatury są główną przyczyną powstawania objawu Raynauda.
- Podczas przerw w pracy należy wykonywać ćwiczenia poprawiające krążenie krwi..
- Podczas pracy robić częste przerwy. Ograniczyć ekspozycję w ciągu dnia.
- W razie doświadczenia dowolnego z wymienionych objawów, należy niezwłocznie zaprzestać użytkowania tego urządzenia i skontaktować się z lekarzem.

### ! OSTRZEŻENIE

Długotrwałe użytkowanie narzędzia może spowodować obrażenia ciała lub nasilić dolegliwości zdrowotne. W przypadku używania narzędzia przed dłuższy czas należy pamiętać o regularnych przerwach.

### ZAPOZNAJ SIĘ ZE SWOIM PRODUKTEM

Patrz str. 139.

1. Tylny uchwyt
2. Blokada przycisku uruchamiającego
3. Przycisk uruchamiający
4. Ostrze do cięcia trawy
5. Osłona ostrza do cięcia trawy
6. Ostrze do cięcia krzewów
7. Osłona ostrza do cięcia krzewów
8. Akumulator
9. Przycisk zatrzasku akumulatora
10. Ładowarka
11. Pokrętko mocowania ostrza
12. Słupki ostrza
13. Gumowa osłona gniazda

### SYMBOLE PRODUKTU



Alarm bezpieczeństwa



Należy przeczytać i zrozumieć wszystkie instrukcje przed rozpoczęciem obsługi produktu oraz przestrzegać wszystkich ostrzeżeń i instrukcji dotyczących bezpieczeństwa.



Zakładać środki ochrony wzroku.



Nosić środki ochrony słuchu.



Nosić nieślizgające się, trwałe rękawice ochronne.



Nie wystawiać urządzenia na działanie deszczu ani nie używać w miejscach o dużej wilgotności.



Aby nie dopuścić do poważnych urazów ciała, nie należy dotykać ostrzy.



Uwaga na odrzucane przedmioty. Wszystkie osoby postronne, a szczególnie dzieci i zwierzęta, muszą znajdować się w odległości przynajmniej 15 metrów od miejsca pracy.



Uwaga! Należy pamiętać, że po wyłączeniu silnika element tnący nadal pracuje.



Zużyte produkty elektryczne nie powinny być utylizowane z odpadami domowymi. Prosimy poddawać recyklingowi w odpowiednich miejscach. Informacje o właściwych metodach recyklingu można uzyskać u władz lokalnych lub sprzedawcy.



Narzędzie to spełnia wymogi wszystkich norm reglamentacji kraju UE, w którym było ono zakupione.



Znak zgodności EurAsian



Ukraiński znak zgodności



Podany na tej etykiecie gwarantowany poziom dźwięku to 86 dB.

Poniższe symbole i nazwy które im nadano, pozwalają wyjaśnić różne poziomy ryzyka związanego z używaniem tego narzędzia.

**⚠ NIEBEZPIECZEŃSTWO**

Wskazuje na realne zagrożenie, które może spowodować śmierć lub poważne zranienie, jeżeli się nie uniknie tego niebezpieczeństwa.

**⚠ OSTRZEŻENIE**

Wskazuje na potencjalne zagrożenie, które może spowodować śmierć lub poważne zranienie, jeżeli się nie uniknie tego niebezpieczeństwa.

**⚠ UWAGA**

Wskazuje na potencjalne zagrożenie, które może spowodować mniejsze lub bardziej poważne zranienie, jeżeli się nie uniknie tego niebezpieczeństwa.

**UWAGA**

Bez symbolu ostrzeżenia

Sytuacja, która może grozić uszkodzeniem mienia.

**SYMBOLE W TYM PODRĘCZNIKU**



Części lub akcesoria sprzedawane oddzielnie



Objaśnienie



Ostrzeżenie!



Bezpečnost, výkon a spolehlivost byli hlavní prioritou při návrhu vašich nůžek pro trávu/křoviny.

### ZAMÝŠLENÉ POUŽITÍ

Akumulátorové nůžky na trávu / zastřihovač je určena pouze k používání venku v době ventilovaného prostoru.

Výrobek je navržen pro domácí používání.

Při použití s nůžkami je výrobek určen k lehkému zastřihávání trávy nebo plevele.

Při použití se zastřihovačem je výrobek určen k lehkému zastřihávání keřků, živých plotů a křovin.

Přístroj nepoužívejte ji k jiným účelům.

### VŠEOBECNÁ BEZPEČNOSTNÍ VAROVÁNÍ

#### VAROVÁNÍ

**Přečtěte si všechny pokyny a bezpečnostní varování.** Opomenutí dodržování varování a pokynů uvedených níže může způsobit úraz elektrinou požár a/ nebo vážná poranění osob.

**Uchovejte všechny pokyny a upozornění, abyste se k nim mohli v budoucnosti vrátit.**

Pojem „elektricky poháněný nástroj“ ve varování poukazuje na váš nástroj, který je napájen pomocí napájecího kabelu z elektrické sítě (s kabelem) nebo z baterie (bez přívodního kabelu).

#### Pracovní prostředí

- **Udržujte pracovní prostor čistý a dobře osvětlený.** Zatarasené nebo tmavé oblasti vedou k nehodám.
- **Nepracujte s tímto elektricky poháněným nástrojem ve výbušných prostředích, například v přítomnosti hořlavých kapalin, plynů nebo prachu.** Elektricky poháněné nástroje vytváří jiskry, které mohou zapálit prach nebo výpary.
- **Udržujte děti a přihlížející během práce s elektricky poháněným nástrojem stranou.** Rozptylování může způsobit ztrátu kontroly.

#### Elektrická bezpečnost

- **Zástrčky elektricky poháněného nástroje musí být shodné s elektrickou zásuvkou.** Nepokoušejte se zástrčku jakýmkoliv způsobem upravovat. **Nepoužívejte žádný adaptér zástrček se zemněným (uzemněným) elektricky poháněným nástrojem.** Neupravené zástrčky a shodné zásuvky snižují nebezpečí elektrického úrazu.
- **Předcházejte tělesnému kontaktu s uzemněnými nebo zemněnými povrchy, například trubkami, radiátory, sporáky a lednicemi.** Je zde zvýšené nebezpečí zásahu elektrickým proudem, pokud je vaše tělo zemněno nebo uzemněno.
- **Nevystavujte tento přístroj dešti nebo vlhkým podmínkám.** Voda vnikající do elektricky poháněného nástroje zvyšuje nebezpečí elektrického úrazu.
- **Nepoškozte napájecí kabel.** Nikdy pro odpojování, táhnutí nebo přenášení elektricky poháněného

**nástroje nepoužívejte kabel. Udržujte kabel mimo horké plochy, olej, pohyblivé součásti nebo ostré hrany.** Poškozené nebo zamotané kabely zvyšují nebezpečí elektrického úrazu.

- **Pokud používáte elektricky poháněný nástroj ve venkovním prostředí, použijte prodlužovací kabel vhodný pro venkovní prostředí.** Použití kabelu vhodného pro venkovní prostředí snižuje nebezpečí elektrického úrazu.
- **Pokud používáte elektricky poháněný nástroj ve vlhkém prostředí, je nezbytné používat proudový chránič (PCH).** Použitím PCH snížíte nebezpečí poranění elektrickým proudem.

#### Osobní bezpečnost

- **Budte ve střehu, hlídejte, co děláte a používejte zdravý rozum při provozu tohoto elektricky poháněného nástroje.** Elektrický nástroj nepoužívejte, pokud jste unaveni nebo pod vlivem drog, alkoholu nebo léků. Chvilce nepozornosti při práci s tímto elektricky poháněným nástrojem může způsobit vážná poranění osob.
- **Používejte osobní ochrannou výbavu. Vždy noste ochranu očí.** Ochranná výbava jako respirátor, protiskluzová obuv, ochranná přilba nebo ochrana sluchu použitá pro příslušné podmínky snižuje osobní poranění.
- **Zabraňte náhodnému spuštění.** Zabezpečte, aby byl spínač v poloze vypnuto (off) před připojením zdroje energie a/nebo bloku baterií, přípravou nebo nesením nástroje. Nošení elektrického nástroje s vaším prstem na spínači nebo se zapojenou zástrčkou elektrického nástroje může při zapnutí vést k nehodě.
- **Odstraňte všechny seřizovací klíče nebo šroubováky, než zapnete poháněný nástroj.** Klíč nebo šroubovák ponechaný přiložený k pohyblivému dílu elektricky poháněného nástroje může způsobit poranění osob.
- **Nepřeceňujte se. Udržujte řádné postavení a rovnováhu po celou dobu práce.** Toto umožňuje lepší ovládání poháněného nástroje v neočekávaných situacích.
- **Správně se oblékejte. Nenoste volný oděv nebo šperky. Udržujte svoje vlasy, oděv a rukavice mimo pohybující se části.** Volný oděv, šperky nebo dlouhé vlasy mohou být zachyceny do pohyblivých dílů.
- **Pokud jsou zařízení vybavena přípojkou pro odsávání prachu a sběrným zařízením, ujistěte se, že jsou správně připojena k nástroji, a že se správně používají.** Použití odsavače prachu může snížit nebezpečí související s prachem.

#### Použití a péče o nástroj

- **Nepoužívejte nadměrnou sílu na nástroj. Nářadí vybírejte podle povahy práce, kterou chcete provádět.** Správný elektricky poháněný nástroj bude svou práci provádět lépe a bezpečněji při práci, pro kterou byl navržen.
- **Elektricky poháněný nástroj nepoužívejte, pokud spínač nezapíná a nevytáhne.** Každý elektricky poháněný nástroj, který nemůže být ovládnut spínačem,





je nebezpečný a musí být opraven.

- **Odpojte zástrčku od zdroje napájení a/nebo bateriový modul dříve, než provedete jakákoliv nastavení, výměnu příslušenství nebo než elektrický nástroj uložíte.** Také bezpečnostní preventivní opatření snižují riziko náhodného spuštění elektrického nástroje.
- **Ukládejte nečinný elektricky poháněný nástroj mimo dosah dětí a nenechávejte neznámé osoby pracovat s elektricky poháněným nástrojem nebo s těmito pokyny k obsluze elektrického nástroje.** Elektricky poháněné nástroje jsou nebezpečné v ruce nekvalifikovaných uživatelů.
- **Udržujte elektrické nástroje. Kontrolujte vychýlení nebo zasekávání pohyblivých dílů, rozbité části a každé jiné podmínky, které mohou ovlivnit funkci elektricky poháněných nástrojů. Zjistí-li se poškození, musí se elektricky poháněný nástroj před použitím opravit.** Mnoho úrazů je způsobeno nedostatečně udržovanými elektricky poháněnými nástroji.
- **Udržujte řezné nástroje ostré a čisté.** Řádně udržované řezné nástroje s ostrými řeznými hranami mají nízkou pravděpodobnost zaseknutí a jsou snadněji ovladatelné.
- **Poháněné nástroje, příslušenství a vrtáky, atd. používejte v souladu s těmito pokyny s ohledem k pracovním podmínkám a práci, která má být provedena.** Použití elektricky poháněného nástroje pro práce jiné, než zamýšlené by mohlo mít za následek nebezpečnou situaci.

#### Použití a péče o nástroj na baterie

- **Dobíjejte pouze nabíječkou určenou výrobcem.** Nabíječka, která je vhodná pro jeden typ akumulátoru může způsobit nebezpečí požáru, pokud se používá s jiným bateriovým modulem.
- **Elektrický nástroj používejte pouze s přesně určeným bateriovým modulem.** Použití jakéhokoliv jiného akumulátoru může způsobit nebezpečí poranění a požáru.
- **Pokud akumulátor nepoužíváte, uchovávejte jej mimo kovové předměty jako svorky pro papír, mince, klíče, hřebíky, šrouby nebo jiné malé kovové předměty, které mohou vytvořit propojení jednoho vývodu s druhým.** Zkratování vývodů baterie může způsobit požár nebo popáleniny.
- **Za nevhodných podmínek může z baterie vytékat kapalina; zabraňte kontaktu.** Pokud dojde k náhodnému kontaktu, omyjte vodou. Pokud kapalina přijde do kontaktu s očima, vyhledejte lékařskou pomoc. Kapalina vytečená z baterie způsobit podráždění nebo popáleniny.

#### Údržba

- **Váš elektricky poháněný nástroj smí opravovat pouze kvalifikovaný opravárenský pracovník a musí používat pouze shodné náhradní díly.** Toto zajišťuje udržování bezpečnosti elektricky poháněného nástroje.

## VAROVÁNÍ PRO NŮŽKY NA TRÁVU / ZASTŘIHOVAČ

### ⚠ VAROVÁNÍ

Pozor: po vypnutí motoru se řezací prvky ještě pohybují!

#### ZAŠKOLENÍ

- Návod si pečlivě přečtete. Seznamte se s ovládaním a řádným používáním nástroje.
- Produkt není určen pro používání osobami, včetně dětí se sníženými tělesnými, smyslovými nebo duševními schopnostmi nebo s nedostatkem zkušeností a znalostí, pokud neprošli školením ohledně používání, čištění či údržby. Místní předpisy mohou omezovat dobu obsluhy.
- Uživatel nebo obsluha tohoto zahradnického nástroje je zodpovědná za nehody nebo nebezpečí způsobená na jiné osobě nebo jejich majetku.

#### PŘÍPRAVA

- Zkontrolujte zařízení před každým použitím. Všechny poškozené díly vyměňte.
- Před každým použitím si vyčistěte oblast řezání. Odstraňte všechny předměty, například kabely, svítidla, dráty nebo strunu, které se mohou vymrštit nebo zamotat do sekacího nástroje.
- Nikdy nepracujte s přístrojem, když jsou v blízkosti osoby, obzvláště děti nebo domácí zvířata.
- Vyměňujte sekací nože nebo veškeré další díly, které jsou prasklé, zlomené či poškozené. Ujistěte se, že řezací prvky jsou správně nainstalované a bezpečně upevněné. Neprovedete-li toto, může to vést k osobnímu poranění obsluhy a přihlízejících, jako i poškození nástroje.
- Výrobek nepoužívejte, pokud přepínač nezapíná nebo nevyplíná. Elektrický nástroj, který nemůže být ovládan spínačem, je nebezpečný a musí být opraven.
- Před spuštěním výrobku vždy zkontrolujte, zda jste na výrobku nenechali klíče nebo hasáky.

#### POUŽITÍ

- Ke snížení rizika úrazu při použití výrobku vždy používejte kompletní ochranu očí, ochrannou obuv a oblečení.
- Správně se oblékejte. Nenoste volné oblečení ani šperky; mohou se zachytit do pohyblivých částí. Při práci venku doporučujeme rukavice, náležitou obuv a dlouhé kalhoty.
- Nepožívejte stroj při špatném počasí, zejména, hrozí-li bouřky.
- Motor spusťte, až když jsou ruce i nohy v bezpečné vzdálenosti od řezacích prvků.
- Dávejte pozor, abyste si na řezacích prvcích nepořezali nohy a ruce.
- Vždy si hlídejte své okolí a buďte připraveni na možná nebezpečí, které nemusí být slyšet z důvodu hluku stroje.





- Nikdy se nepokoušejte používat neúplný výrobek nebo výrobek opatřený neautorizovanými úpravami.

## BEZPEČNOSTNÍ VAROVÁNÍ K PLOTOSTŘIHU

- **Udržujte všechny části těla mimo ostří nože. Neodstraňujte pořezaný nebo zachycený materiál, když se nože pohybují. Přesvědčte se, že je spínač vypnut, když čistíte zaseknutý materiál.** Chvilu nepozornosti při práci s tímto výrobkem může způsobit vážná osobní poranění.
- **Plotostřih přenášejte za rukojeť se zastavenou žací lištou. Pokud plotostřih přepravujete nebo skladujete, vždy nasadte ochranné pouzdro nože.** Správná obsluha nůžek pro živý plot snižuje možné osobní poranění od řezacích nožů.
- **Elektrický nástroj držte pouze za izolované úchopové plochy, protože může dojít ke styku nože se skrytými nebo jeho vlastním kabelem.** Kontakt s nože „živým“ vodičem způsobí, že kovové části elektrického nástroje se stanou také „živými“ a způsobí elektrický úraz obsluze.
- **Kabel udržujte mimo oblast řezání.** Během práce se může kabel skrýt v křoví a může se náhodně přefříznout.
- Zkontrolujte živý plot na cizí předměty, např. drátěný plot.

## DOPLŇJÍCÍ BEZPEČNOSTNÍ VAROVÁNÍ

- Jako prevence proti náhodnému spuštění nikdy výrobek nepřenášejte s prsty na spouštěči.
- Noste pevné, dlouhé kalhoty, náležitou obuv a dobře padnoucí rukavice. Nenoste krátké kalhoty ani sandály, nebuďte naboso.
- Před vložením baterie se ujistěte, že je spínač ve vypnuté poloze. Při vkládání baterie do výrobku se spínačem v poloze zapnuto si říkáte o malér.
- Neprovazujte při slabém osvětlení. Používejte ve výrobek dne nebo v dobrém umělém osvětlení.
- Udržujte bezpečné postavení a rovnováhu. Nepřeceňujte se. Přeceňování může způsobit ztrátu rovnováhy. Vždy na svazích zabezpečte své pevné postavení. Chodte, nikdy neběhejte.
- Nepoužívejte nadměrnou sílu na nástroj. Nástroj bude svou práci provádět lépe a bezpečněji při určeném přísunu materiálu, pro který byl navržen.
- Pěs spuštěním výrobku se ujistěte, že řezací prvky nepřijdou s ničím do kontaktu. Pokud řezací prvky na něco narazí nebo se zamotají do cizích předmětů, okamžitě výrobek zastavte, vyjměte baterii a zkontrolujte, zda nedošlo k poškození výrobku. Nepoužívejte přístroj, pokud má poškozený nebo uvolněný díl.
- Zkontrolujte, zda nedošlo k poškození dílů, posunutí nebo spojení pohyblivých částí nebo k jinému poškození, které by mohlo ovlivnit chod výrobku. Před dalším použitím výrobku zkontrolujte další poškozené díly a zvažte, zda bude výrobek řádně fungovat. Všechny poškozené díly je nutné nechat řádně opravit nebo vyměnit v autorizovaném servisním centru.
- Za účelem snížení rizika nehody spojeného s kontaktem pohyblivých částí je nutné výrobek vždy zastavit a vyjmout

baterii. Ujistěte se, že všechny pohyblivé části se zastavily, nechte výrobek vychladnout a teprve poté můžete:

- když nástroj ponecháváte bez dozoru,
- před odstraněním ucávkvy
- před kontrolou, čištěním nebo prací na nástroji,
- kontrolou výrobku po nárazu na cizí těleso
- pokud stroj začne abnormálně vibrovat
- Udržujte ruce mimo nože. Neodstraňujte pořezaný nebo zachycený materiál, když se nože pohybují. Při odstraňování materiálu zachyceného na řezacích prvcích nejdříve vyjměte baterii a uvolněte spínač. Nedržte za vystavené nože či stříhací hrany, když přístroj zvedáte nebo držíte.
- Ruce, obličej a nohy udržujte v bezpečné vzdálenosti od pohyblivých částí. Nedotýkejte se pohybujících se řezacích nožů ani se je nepokoušejte zastavit.
- Vždy vypněte motor, pokud nebudeme řezat ihned nebo pokud se přesouváte na jiné místo.
- Udržujte výrobek čistý bez posekané trávy a jiného materiálu. Mohou se usadit do sekacích nožů.
- Pokud nástroj nepoužíváte, vždy na kotouč umístěte chránič kotouče.
- Nikdy nepotápějte přístroj, ani na něj nestříkejte, do vody nebo jakýchkoliv jiných kapalin. Udržujte rukojeť nástroje suché, čisté a beze zbytků.
- Transport a skladování
- Nikdy neprovazujte přístroj s poškozenými chrániči, nebo štíty, nebo bez nainstalovaných bezpečnostních zařízení.
- V případě nehody či poškození sekačku okamžitě vypněte a vyjměte baterie. Výrobek můžete znovu používat až po důkladné kontrole autorizovaným servisním centrem.
- Při převozu nebo uschování výrobku vždy opatřete nože ochranným krytem.
- Před uschováním výrobek řádně očistěte. Výrobek uchovejte na suchém a dobře větraném místě, kam nemají přístup děti. Nářadí neuskladňujte v blízkosti žíravých látek, jako například v blízkosti zahradkářských nebo zahradnických chemických přípravků nebo soli na zimní sypání komunikací.
- Baterii uschovávejte a dobíjejte v chladném prostředí. Teplota nad nebo pod úrovní normální pokojové teploty zkrátí životnost baterie.
- Nikdy neuchovávejte baterie ve vybitém stavu. Počkejte, až baterie vychladne, a okamžitě dobijte.
- Při transportu výrobku zajistěte proti pohybům nebo pádu, abyste zabránili poranění osob nebo poškození výrobku.

## TRANSPORT LITHIOVÝCH BATERIÍ

Přenos baterií dle místních a národních opatření a předpisů.

Dodržujte všechny zvláštní požadavky na balení a značení při transportu baterií třetí stranou. Zajistěte, aby žádné baterie nepřišly do kontaktu s jinými bateriemi nebo vodivými materiály při transportu pomocí ochrany nekrytých kontaktů prostřednictvím izolace, nevodivých krytek či lepicích pásek. Nepřepravujte prasklé nebo





baterie s unikajícím elektrolytem. Ptejte se u zásilkové společnosti na další radu.

## ÚDRŽBA

### ⚠ VAROVÁNÍ

Používejte pouze originální příslušenství, doplňky a náhradní díly výrobce. Zanedbání může zapříčinit možné poranění, slabý výkon a může dojít ke ztrátě záruky.

### ⚠ VAROVÁNÍ

Údržba vyžaduje extrémní péči a znalosti a měla by být prováděna pouze kvalifikovaným servisním technikem. Pro servis vraťte výrobek do autorizovaného servisního centra. Při údržbě používejte pouze původní náhradní díly výrobce.

- Při údržbě řezacích prvků používejte rukavice.
- Vždy zacházejte s opatrností. Pro co nejlepší výkon a snížení rizika úrazu udržujte řezací hrany ostré a čisté. Postupujte dle pokynů pro mazání a výměnu příslušenství. Udržujte rukojeti suché, čisté a bez mastnot a oleje.
- Před údržbou nebo čištěním výrobek vypněte a vyjměte baterii.
- Po každém použití očistěte těleso a rukojeti výrobku měkkým a suchým hadříkem.
- Po každém použití očistěte nečistoty z nožů tvrdým štětcem a poté opatrně naneste antikoroziní přípravek před upevněním krytu nože. Výrobce doporučuje používat antikoroziní a mazací sprej pro rovnoměrné nanesení a snížení nebezpečí poranění při kontaktu s noží. Informace o vhodném spreji získáte u místního pověřeného servisního střediska.
- Vyhnete se používání rozpouštědel, když čistíte plastové díly. Mnoho plastů je citlivých na poškození různými typy komerčních rozpouštědel a mohou být jimi poškozeny. Používejte čisté utěrky pro odstranění nečistot, prachu, oleje, mastnoty, atd.
- Vždy zajistěte, aby ventilační otvory nebyly ničím zataraseny.
- Pravidelně kontrolujte nože na poškození a opotřebenění.
- Vždy používejte pouze náhradní nůž od výrobce.
- Pro snadnější použití a delší životnost nožů je naolejujte před každým použitím i po něm. Před olejováním vyjměte baterii a položte nože na rovný povrch. Naneste mazivo pro lehké stroje podél řezacího ostří horní žací lišty. Olej nenanášejte, pokud je výrobek v provozu.

## ZBYTKOVÁ RIZIKA

Dokonce, i když se výrobek provozuje jak je předepsáno, je stále nemožné zcela eliminovat veškeré zbytkové rizikové faktory. Následující nebezpečí mohou nastat při používání; vyhýbejte se:

- Poranění způsobené vibracemi.

- Držte výrobek za rukojetě určené k držení a práci provádějte po omezenou dobu.
- Poškození sluchu způsobeného expozicí hluku.
  - Noste ochranu sluchu a omezte vystavení.
- zranění z kontaktu s nožem
  - Nože nesmí být v obalu během jejich práce. Nůž udržujte od sebe a osob i zvířat. Pokud nástroj nepoužíváte, vždy na kotouč umístujte chránič kotouče.

## SNÍŽENÍ RIZIKA

Bylo zjištěno, že vibrace z ručních pracovních nástrojů mohou u některých osob přispívat ke stavu tzv. Raynaud's Syndrome (Raynaudovu syndromu). Mezi jeho příznaky patří brnění, necitlivost a zblednutí prstů, patrné obvykle po pobytu v chladu. Vědci se domnívají, že k rozvinutí těchto příznaků přispívají dědičné faktory, pobyt v chladu a vlhku, strava, kouření a pracovní návyky. Uživatel může omezit případné působení vibrační použitím vhodných opatření:

- Za chladného počasí se teple oblečte. Při práci s výrobkem si navlékněte rukavice, abyste udrželi ruce a zápěstí v teple. Bylo zjištěno, že chladné počasí je hlavním faktorem přispívajícím k Raynaud's Syndrome (Raynaudovu syndromu).
- Během práce si v pravidelných intervalech zacvičte, abyste zvýšili krevní oběh.
- Zařazujte časté pracovní přestávky. Omezte dobu práce za den.
- Jakkmile pocítíte některý z výše uvedených příznaků tohoto syndromu, okamžitě přerušete práci a vyhledejte lékaře.

### ⚠ VAROVÁNÍ

Poranění mohou být způsobena, či zhoršena, prodlouženým používáním nástroje. Když používáte jakýkoliv nástroj delší dobu, dělejte pravidelně přestávky.

## POZNEJTE SVŮJ NÁSTROJ

Viz strana 139.

1. Zadní rukojeť
2. Tlačítko zámku spouště
3. Spoušť
4. Čepel nůžek na trávu
5. Kryt na čepel nůžek na trávu
6. Nůž zastříhovače
7. Kryt na nože zastříhovače
8. Baterie
9. Tlačítko západky akumulátoru
10. Nabíječka
11. Utahovací kolečko nožů
12. Kolíky nože
13. Pryžový kryt na výstupní port





## SYMBOLY NA VÝROBKU



Bezpečnostní výstraha



Řádně si návod přečtěte, porozumějte veškerým pokynům a dodržujte všechny bezpečnostní pokyny a bezpečnostní varování.



Noste ochranu očí.



Noste ochranu sluchu.



Navlékněte si pevné neklouzavé pracovní rukavice.



Nevystavujte dešti nebo nepoužívejte ve vlhkých podmínkách.



Pro zabránění poranění se nedotýkejte řezacích nožů.



Dávejte pozor na odmrštěné nebo odletující předměty. Všechny přihlížejíci, zvláště děti a zvířata udržujte ve vzdálenosti alespoň 15 m od pracovní oblasti.



Varování! Pozor: po vypnutí motoru se řezací prvky ještě pohybují!



Odpad elektrických výrobků se nesmí likvidovat v domovním odpadu. Recyklujte prosím na sběrných místech. Ptejte se u místních úřadů nebo prodejce na postup při recyklaci.



Toto nářadí je v souladu se všemi normami a předpisy platnými v zemi EU, ve které bylo zakoupeno.



Euroasijská značka shody



Ukrajinská značka shody



Garantovaná hladina akustického výkonu zobrazená na tomto štítku je 86 dB.

Následující signální slova a významy jsou vhodné pro vysvětlení úrovní nebezpečí spojených s tímto výrobkem.

### NEBEZPEČÍ

Označuje bezprostředně rizikovou situaci, které je třeba předejít, jinak bude jejím následkem smrt nebo vážné zranění.

### VAROVÁNÍ

Označuje možnou rizikovou situaci, které je třeba předejít, jinak jejím následkem může být smrt nebo vážné zranění.

### VAROVÁNÍ

Označuje možnou rizikovou situaci, které je třeba předejít, jinak jejím následkem může být smrt nebo vážné zranění.

### VAROVÁNÍ

Bez symbolu bezpečnostní výstrahy

Určuje situaci, která může mít za následek vážné poškození.

## SYMBOLY V NÁVODU



Díly nebo příslušenství jsou v prodeji samostatně



Poznámka



Varování



A(z) akkumulátoros fűvágó/bozótvágó tervezésekor a biztonság, a teljesítmény és a megbízhatóság voltak a legfontosabb szempontok.

## RENDELTESSZERŰ HASZNÁLAT

A vezeték nélküli fűnyírót/sövényvágót csak kültéren, jó megvilágítás mellett használja.

A termék otthoni vagy háztartási használatra készült.

A fűnyíró kiegészítővel a terméket fű és gyomok mérsékelt visszavágására használhatja.

A sövénynyíró kiegészítővel a terméket cserjék, sövények és bokrok mérsékelt visszavágására használhatja.

Semmilyen más célra ne használja.

## ÁLTALÁNOS BIZTONSÁGI FIGYELMEZTETÉSEK

### FIGYELMEZTETÉS

**Olvassa el az összes biztonsági figyelmeztetést és útmutatást.** A figyelmeztetések és utasítások be nem tartása elektromos áramütést, tüzet és/vagy súlyos sérülést eredményezhet.

Őrizze meg ezeket a figyelmeztetéseket és utasításokat a későbbi tájékozódásra is.

A figyelmeztetésekből a „szerszámgép” kifejezés az elektromos hálózatról (kábelrel) működtetett vagy akkumulátorral (kábel nélkül) működtetett gépet jelenti.

### Munkaterület

- **A munkaterületet tartsa tisztán és jól megvilágítva.** A rendellen vagy sötét munkaterületek balesetekhez vezethetnek.
- **Az elektromos szerszámgépeket ne működtesse robbanásveszélyes környezetben, mint például robbanásveszélyes folyadékok, gázok vagy porok jelenlétében.** Az elektromos gépekben szikrák keletkeznek, amik begyűjthetik a port vagy a gőzöket.
- **Az elektromos szerszámgép használatakor a gyerekeket és a kívülállókat tartsa távol.** A figyelem elterelődése az irányítás elvesztését okozhatja.

### Elektromos biztonság

- **A szerszámgép dugaszának illeszkednie kell az aljzathoz.** Semmilyen módon ne módosítsa a dugaszt. A földelt elektromos gépekhez ne használjon adapter dugaszt. A nem módosított és illeszkedő dugasz csökkenti az áramütés kockázatát.
- **Kerülje az érintkezést földelt felületekkel, mint például csövekkel, radiátorokkal és hűtőkkel.** Megnöveli az áramütés kockázatát, ha a teste földeltté válik.
- **Ne tegye ki a terméket esőnek vagy nedves környezet hatásának.** A szerszámgépekbe kerülő víz növeli az áramütés kockázatát.
- **Ne rongálja meg a kábelt.** A szerszámgép kábelét soha ne használja a szerszám hordozására, húzására vagy kihúzására. A kábelt hőtől, olajtól, éles tárgyaktól vagy mozgó alkatrészekről tartsa távol. A sérült vagy beakadt kábelek növelik az

áramütés kockázatát.

- **Szerszámgépnek a szabadban való működtetésekor kültéri használatra is megfelelő hosszabbító kábelt használjon.** Kültéri használatra megfelelő hosszabbító kábel csökkenti az áramütés kockázatát.
- **Ha a szerszámgép használata nedves környezetben elkerülhetetlen, használjon áram-védőkacsolót (RCD).** Az RCD használata csökkenti az áramütés kockázatát.

### Személyi biztonság

- **Elektromos szerszámgép működtetésekor legyen mindig éber, figyeljen arra, amit csinál, és használja a józan esztét.** Ne használja a szerszámgépet, ha fáradt vagy alkoholt, gyógyszert illetve más tudatmódosító szerek hatása alatt áll. A gép használata közben már egyetlen figyelmen kívül hagyás is súlyos személyi sérüléshez vezethet.
- **Használjon személyi védelmi eszközöket.** Mindig viseljen védőszemüveget. A védelmi felszerelések, mint például a pormaszk, a csúszásmentes biztonsági lábbelik, a védősisak vagy a fülvédő megfelelő használata csökkenti a személyi sérüléseket.
- **Kerülje el a véletlen bekapcsolást.** A szerszám szállítása vagy felemelése, az áramellátás és/vagy akkumulátor csatlakoztatása előtt ellenőrizze, hogy a kapcsoló kikapcsolt állásban van. Szerszámgépek szállítása a kapcsolón tartott ujjal vagy bekapcsolt szerszámgépek áram alá helyezése balesetekhez vezet.
- **A szerszámgépről bekapcsolás előtt távolítson el minden beállító kulcsot és csavarkulcsot.** Egy a szerszámgép forgó alkatrészén maradt beállító kulcs vagy csavarkulcs személyi sérülést eredményezhet.
- **Ne hajoljon ki túlságosan.** Mindig tartson megfelelő testtartást és egyensúlyt. Ez a szerszámgép jobb irányítását teszi lehetővé váratlan szituációkban.
- **Viseljen megfelelő ruházatot.** Ne vegyen fel laza ruhát vagy ékszereket. A haját, a ruháit és a kesztyűjét tartsa távol a forgó alkatrészekről. A laza ruházat, ékszerek vagy a hosszú haj beakadhatnak a mozgó alkatrészekbe.
- **Ha a gép el van látva porkivezető vagy -gyűjtő berendezésekhez való csatlakozási lehetőséggel, akkor ügyeljen rá, hogy ezeket csatlakoztassák és megfelelően használják.** A porfogó használata csökkentheti a porral kapcsolatos veszélyeket.

### A szerszámgép használata és karbantartása

- **Ne erőltesse a terméket. A feladathoz a megfelelő szerszámgépet használja.** A megfelelő szerszámgép jobb teljesítménnyel és sokkal biztonságosabban fog dolgozni olyan körülmények között, amilyenekre azt tervezték.
- **Ne használja a szerszámgépet, ha a kapcsoló nem kapcsol be és ki.** Bármilyen szerszámgép veszélyes, amit a kapcsolóval nem lehet irányítani, ezért azt meg kell javítani.
- **Bármilyen beállítás, tartozékcseré elvégzése vagy a szerszámgép tárolása előtt húzza ki a szerszámgépet a hálózatról és/vagy vegye ki az**





akkumulátort a szerszámgépéből. Az ilyen megelőző biztonsági óvintézkedések csökkentik a szerszámgép véletlen bekapcsolódásának kockázatát.

- **A használaton kívüli gépet gyerekek számára nem elérhető helyen tárolja, és ne hagyja, hogy a szerszámgépet vagy a kézikönyvet nem ismerő személyek használják a szerszámgépet.** Gyakorlatlan felhasználók kezében a szerszámgépek veszélyesek.
- **Tartsa megfelelő állapotban a szerszámgépeket. Ellenőrizze a mozgó alkatrészek akadását vagy helytelen beállítását, az alkatrészek törését és minden más körülményt, ami hatással lehet a szerszámgép működésére. Ha sérült, a szerszámgépet használat előtt meg kell javítani.** Sok balesetet a rosszul karbantartott szerszámgépek okoznak.
- **A vágószerszámok legyenek élesek és tiszták.** A megfelelően karbantartott, éles vágóélű vágószerszámok kevésbé akadnak be és könnyebben irányíthatók.
- **A szerszámgépet, a tartozékokat és a biteket stb. ezen utasításban leírtaknak megfelelően használja, figyelembe véve a munkakörülményeket és az elvégzendő feladatot.** A szerszámgép rendeltetésétől eltérő műveletekre való használata veszélyes helyzeteket eredményezhet.

#### Akkumulátoros szerszámgép használata és karbantartása

- **Csak a gyártó által megadott töltővel töltsen az akkumulátorokat.** Egy adott akkumulátortípusúhoz való töltő egy másik típusú akkumulátorral való használata tűzveszélyes lehet.
- **A szerszámokat csak a hozzájuk való akkumulátorokkal üzemeltesse.** Más akkumulátorok használata tűzveszélyes lehet, és sérüléseket okozhat.
- **Az akkumulátort használaton kívül tartsa távol más fém tárgyaktól, úgymint gemkapcsoktól, érméktől, kulcsoktól, szögektől, csavaroktól vagy más kisméretű fém tárgyaktól, amelyek rövidre zárhatják a két érintkezőt.** Az akkumulátor érintkezőinek rövidre zárása tüzet vagy égéseket okozhat.
- **Nem megfelelő körülmények esetén folyadék távozhat az akkumulátorból, kerülje az azzal való érintkezést. Ha mégis érintkezik vele, öblítse le vízzel. Ha a folyadék szembe kerül, forduljon orvoshoz.** Az akkumulátorból kifolyt folyadék irritációt vagy égéseket okozhat.

#### Karbantartás

- **A szerszámgépet csak szakképzett szervizszakemberrel szervizeltesse, csak azonos cserealkatrészeket használva.** Ez biztosítja, hogy a szerszámgép használata továbbra is biztonságos legyen.

### BIZTONSÁGI FIGYELMEZTETÉSEK A FŰNYÍRÓHOZ/SÖVÉNYVÁGÓHOZ

#### ▲ FIGYELMEZTETÉS

A vágóberendezés a motor kikapcsolása után tovább üzemel.

#### GYAKORLÁS

- Figyelmesen olvassa el az utasításokat. Legyen tisztában a termék kezelőszerveivel és helyes használatával.
- Ne hagyja, hogy gyerekek, csökkent fizikai, érzékelési vagy értelmi képességgel rendelkező személyek, vagy akiknek nincs meg a tapasztalatuk és tudásuk ehhez, vagy az utasításokat nem ismerő személyek működtessék, tisztítsák vagy karbantartsák a terméket. A helyi előírások korlátozhatják a kezelő életkorát.
- Jegyezze meg, hogy a kezelő vagy a felhasználó felelős a más embereknek vagy tulajdonuknak okozott veszélyekért vagy balesetekért.

#### ELŐKÉSZÜLET

- Használat előtt vizsgálja át a terméket. Cserélje ki az esetleges sérült alkatrészeket.
- A vágandó területet tisztítsa meg minden használat előtt. Távolítsa el az összes tárgyat, például a kábeleket, lámpákat, drótokat vagy zsinórokat, amelyek kirepülhetnek vagy beakadhatnak a vágókésbe.
- Soha ne működtesse a gépet, ha emberek - különösen gyerekek - vagy állatok vannak a közelben.
- Cserélje ki a vágókést vagy bármilyen más alkatrészt, ha megrepedt, kicsorbult vagy megsérült. Győződjön meg arról, hogy a vágószerelvényt megfelelően szerelte fel és biztonságosan rögzítette. Ennek figyelmen kívül hagyása a kezelő és a bárméskodók sérülését, valamint a gép károsodását okozhatja.
- Ne használja a terméket, ha a kapcsoló nem kapcsolja be vagy ki a terméket. A kapcsolóval nem vezérelhető termék veszélyes, ezért azt meg kell javítani.
- A termék bekapcsolása előtt rutinszerűen ellenőrizze, hogy nem maradt-e benne a csavarokulcsok.

#### HASZNÁLAT

- A sérülésveszély csökkentésére a termék használatakor mindig viseljen teljes értékű szemvédő eszközt, lábbelit és ruházatot.
- Viseljen megfelelő ruházatot. Ne viseljen laza ruházatot vagy ékszereket, mivel ezek beleakadhatnak a mozgó alkatrészekbe. Kültéren dolgozva ajánlatos kesztyűt, erős lábbelit és hosszúnadrágot viselni.
- Kerülje a termék használatát rossz időjárási feltételek mellett, különösen villámás esetén.
- A motort úgy indítsa el, hogy a keze és lába ne legyen a vágóberendezések közelében.
- Ügyeljen, nehogy a vágóberendezésektől megsérüljön a lába vagy keze.
- Mindig figyeljen a környezetére és legyen éber a lehetséges veszélyekre, amelyeket esetleg nem hall a gép zaja miatt.

EN  
FR  
DE  
ES  
IT  
NL  
PT  
DA  
SV  
FI  
NO  
RU  
PL  
CS  
HU  
RO  
LV  
LT  
ET  
HR  
SL  
SK  
BG  
UK  
TR





- Soha ne használjon hiányosan, vagy olyan terméket, melyen jogosulatlan módosítást hajtottak végre.

## SÖVÉNYVÁGÓ BIZTONSÁGI FIGYELMEZTETÉSEK

- Minden testrészét tartsa távol a vágókéstől. Ne távolítsa el a levágott anyagot, és ne tartsa a levágni kívánt anyagot mozgó kések mellett. Az elakadt anyagtól való megtisztításkor ügyeljen arra, hogy a kapcsoló kikapcsolt állásban legyen. A termékek használata közben már egyetlen figyelmetlen pillanat is súlyos személyi sérüléshez vezethet.
- A sövényvágót a fogantyúnál fogva, leállított vágókéssel szállítsa. A sövényvágó szállításakor vagy tárolásakor mindig rakja fel a vágóeszköz burkolatát. A sövényvágó helyes kezelése lecsökkenti a vágókések okozta személyi sérülések bekövetkeztének lehetőségét.
- A szerszámgépeket mindig a szigetelő fogófelületeknél fogja, mert a vágóeszköz rejtett vezetékbe vagy a saját kábelébe vághat. Az „élő” vezetékkel érintkező vágóeszköz következtében a szerszám fém alkatrészei áram alá kerülhetnek, minek következtében a kezelőt áramütés érheti.
- Tartsa távol a kábelt a vágási területtől. Használat közben a kábelt a bokor ágai elfedhetik, és a kés véletlenül átvághatja azt.
- Ellenőrizze a sövényt idegen tárgyak, pl. drótkerítés tekintetében.

## TOVÁBBI BIZTONSÁGI FIGYELMEZTETÉSEK

- Ne vigye a terméket úgy, hogy az ujjá a gázkaron van, nehogy véletlenül elinduljon.
- Viseljen vastag hosszúnadrágot, erős lábbelit és jól illeszkedő kesztyűt. Ne viseljen rövidnadrágot és szandált, illetve ne legyen mezítláb.
- Ügyeljen arra, hogy az akkucsomag behelyezése előtt a kapcsolót állítsa „ki” állásba. Ha az akkucsomagot úgy teszi be, hogy a kapcsoló „be” állásban van, könnyen baleset történhet.
- Ne használja a gépet gyenge megvilágítás esetén. Nappal vagy jó mesterséges megvilágításnál használja a terméket.
- Stabilan álljon és vegyen fel megfelelő egyensúlyt. Ne hajoljon ki túlságosan. A túlzott kihajlás egyensúlyvesztést eredményezhet. Mindig biztosan támaszkodjon meg a lejtőkön. Gyalogoljon, ne fusson.
- Ne erőltesse a terméket. A gép jobban teljesít és biztonságosabban dolgozik olyan sebesség használatakor, amilyenre azt tervezték.
- A termék elindítása előtt győződjön meg arról, hogy a vágóberendezés nem fog semmihez sem hozzáérni. Ha a vágóeszköz idegen tárgyba ütközik vagy belebegalyodik, azonnal állítsa le a terméket, vegye ki az akkucsomagot, és ellenőrizze, hogy megsérült-e a berendezés. Ne működtesse a gépet meglazult vagy károsodott alkatrészekkel.
- Ellenőrizze, hogy nem rongálódott-e meg valamelyik alkatrész, a mozgó alkatrészek a helyükön vannak-e, megfelelően rögzítve vannak-e, és minden más olyan

körülményt, mely a berendezés működésére hatással lehet. A termék további használata előtt gondosan ellenőrizze a többi megrongálódott alkatrészt, hogy megfelelően fognak-e működni és el tudják-e látni a feladatukat. Bármely megrongálódott alkatrészt javíttasson meg vagy cseréltesse ki a hivatalos szervizközpontban.

- A következő esetekben a mozgó forgó alkatrészek megérintéséből eredő sérülésveszély csökkentésére minden esetben állítsa le a terméket, vegye ki az akkucsomagot és győződjön meg arról, hogy minden mozgó alkatrész megállt, és hagyja a terméket lehűlni:
  - amikor felügyelet nélkül hagyja a gépet;
  - eltömődés megszüntetése előtt
  - ellenőrzés, karbantartás vagy a gépen végzett bármilyen művelet megkezdése előtt;
  - a termék átvizsgálása, miután nekiütöközt valaminek
  - ha a gép szokatlanul kezd rezegni
- Tartsa a kezeit távol a késektől. Ne távolítsa el a levágott anyagot, és ne tartsa a levágni kívánt anyagot mozgó kések mellett. Ha a vágóberendezéseket tisztítja meg a beszorult anyagtól, ellenőrizze, hogy az akkucsomagot kivette-e és a gázkar fel van-e engedve. A főegység felemelése vagy tartása közben ne fogja meg a szabadon álló vágókéseket vagy a vágóéleket.
- A keze, arca és lába legyen biztonságos távolságban a mozgó alkatrészektől. Ne fogja meg és ne próbálja megállítani a mozgó késeket.
- Ha kis időre abbahagyja a munkát, illetve másik helyre megy, a motort állítsa le.
- A termékről tisztítsa le a fűdarabokat és egyéb anyagokat. Beakadhatnak a vágókések közé.
- Ha nem használja a terméket, mindig szerelje fel a késvédőt.
- Soha ne merítse be, vagy locsolja le vízzel vagy más folyadékkal a terméket. A fogantyúkat tartsa szárazon, tisztán és lerakódásmentesen.
- Szállítás és tárolás
- Soha ne működtesse a készüléket hibás védőburkolatokkal vagy védőlemezekkel, illetve biztonsági berendezések nélkül.
- Baleset vagy műszaki probléma esetén azonnal kapcsolja ki a készüléket és vegye ki az akkumulátort. Ne használja a készüléket, amíg teljesen ét nem vizsgálták egy hivatalos szervizközpont
- A termék szállítása és tárolása során tegye rá a késvédőt.
- Tárolás előtt alaposan tisztítsa meg a terméket. A terméket száraz, jól szellőző, gyermekektől elzárt helyen tartsa. Ne tárolja olyan oxidálószeres közelen, mint pl. kerti munkáknál használatos vegyszerek vagy jégmentesítő sók.
- Az akkucsomagot hűvös helyen tárolja és töltsen. A normál szobahőmérsékletnél magasabb vagy alacsonyabb hőmérséklet lerövidíti az akkumulátor élettartamát.
- Az akkucsomagot ne tárolja lemerült állapotban. Várja meg, hogy az akkucsomag lehűljön, majd azonnal





töltse fel.

- Szállításkor rögzítse a terméket elmozdulás és leesés ellen, hogy elkerülje a sérüléseket és a termék sérülését.

## LÍTIUM AKKUMULÁTOROK SZÁLLÍTÁSA

Az akkumulátorokat a helyi és nemzeti előírásokkal és szabályokkal összhangban szállítsa.

Az akkumulátorok külső fél általi szállításakor kövesse a csomagolásra és a címkézésre vonatkozó speciális előírásokat. Ügyeljen arra, hogy az akkumulátorok ne érhessenek más akkumulátorokhoz vagy vezető anyagokhoz szállítás közben; ehhez a szabadon maradt csatlakozókat védje szigetelő fedéllel vagy szalaggal. Ne szállítson repedt vagy szivárgó akkumulátorokat. További információért vegye fel a kapcsolatot a továbbítást végző céggel.

## KARBANTARTÁS

### ▲ FIGYELMEZTETÉS

Csak a gyártó eredeti cserealkatrészeit, tartozékait és szerelékeit használja. Ennek figyelmen kívül hagyása gyenge motorteljesítményt, esetleges sérülést és a jótállás elvesztését okozhatja.

### ▲ FIGYELMEZTETÉS

szervizelés különös figyelmet és hozzáértést igényel, és csak szakképzett szerelő végezheti el. A szervizeléshez vigye el a terméket egy hivatalos szervizközpontba. Szervizeléskor csak eredeti, gyártó által előállított cserealkatrészeket használjon.

- A vágóberendezések karbantartása során viseljen kesztyűt.
- A termék karbantartását kellő alaposággal végezze. A vágóélek legyenek élesek és tiszták; így a berendezés a lehető leghatékonyabban működik, és kisebb lesz a sérülés veszélye. Tartozékcseré és kenés esetén kövesse az utasításokat. A fogantyúkat tartsa szárazon, tisztán, olajtól és kenőzsírtól mentesen.
- Bármilyen karbantartási vagy tisztítási munka végrehajtása előtt kapcsolja ki a készüléket és vegye ki az akkucsomagot.
- Minden egyes használat után egy puha, száraz ruhával tisztítsa meg a termék házát és fogantyúit.
- Egy kemény kefével minden használat után tisztítsa meg a kést a hulladékoktól, majd a késvédő felszerelése előtt kenjen rá rozsdásodásgátlót. A gyártó azt javasolja, hogy permetezhető rozsdásodásgátlót és kenőanyagot vigyen fel egyenletes rétegben, mert azzal meggátolhatja a késsel való érintkezés miatti személyi sérüléseket. A megfelelő permetezhető termékről kérdezze a helyi hivatalos szervizközpontot.
- A műanyag részek tisztításakor tartózkodjon a tisztítószerek használatától. A legtöbb műanyag érzékeny a különböző típusú kereskedelmi oldószerekre és azok használata esetén károsodhat.

Egy tiszta ruhát használjon a kosz, por, olaj, kenőzsír, stb. eltávolítására.

- Mindig ügyeljen rá, hogy semmi ne maradjon a szellőzőnyílásokban.
- Rendszeresen ellenőrizze a késeket, sérülést és elhasználódást keresve.
- Mindig a gyártó által javasolt cserekéseket használjon.
- A késeket használat előtt és után kenje meg, így könnyebben működtethető a berendezés és hosszabb lesz a kések élettartama. Kenés előtt vegye ki az akkucsomagot és a késeket fektesse lapos felületre. Könnyű gépolajjal kenje meg a felső kés élét. A terméket működés közben ne olajozza.

## FENNMARADÓ KOCKÁZAT

Még a termék rendeltetésszerű használata esetén sem lehet teljesen kiküszöbölni minden kockázati tényezőt. A gép használata során a következő veszélyek merülhetnek fel, és a kezelőnek különösen oda kell figyelnie az alábbiak elkerülésére:

- A vibráció sérüléseket okozhat.
  - A terméket az arra szolgáló fogantyúknál tartsa, és korlátozza a munkaidőt és a vibrációnak való kitettséget.
- A zajnak való kitettség halláskárosodást okoz.
  - Viseljen hallásvédőt és korlátozza a zajnak való kitettséget.
- kések érintése okozta sérülés
  - A kések vágás közben nem fedhetők le védőburkolattal. A kést önmagától és másoktól tartsa távol. Ha nem használja a terméket, mindig szerelje fel a késvédőt.

## KOCKÁZATCSÖKKENTÉS

Arról számoltak be, hogy a kéziszerszámok használata során fellépő vibráció bizonyos személyeknél hozzájárulhat az úgynevezett Raynaud-szindróma (Raynaud's Syndrome) nevű állapot kialakulásához. A tünetei lehetnek: az ujjak zsibbadása, elfehéredése, szúrások érzése, amelyek hidegnek kitéve gyakran felerősödnek. Az öröklődő tényezők, a hidegnek kitettség és verejtékezés, a diéta, a dohányzás és munka közben alkalmazott fogások valószínűleg mind hozzájárulhatnak ezen tünetek megjelenéséhez. A vibráció hatásainak csökkentése érdekében a kezelőnek be kell tartani az alábbi óvintézkedéseket:

- Hideg időben tartsa melegen a testét. A termék használatakor viseljen kesztyűt a kéz és a csukló melegen tartásához. Arról számoltak be, hogy a hideg időjárásnak fontos szerepe van a Raynaud-szindróma kialakulásában.
- Bizonyos időtartamú használat után mindig végezzen gyakorlatokat a vérkeringés javításához.
- Gyakran tartson munkaszünetet. Korlátozza a napi munkaidőt.
- Ha ezen állapot bármelyik tünetét tapasztalja, azonnal hagyja abba a munkát, és tájékoztassa az orvosát a tünetekről.



## ⚠ FIGYELMEZTETÉS

Hosszabb használat sérülést okozhat. Ha a gépet hosszabb időn át kell használnia, tartson gyakran szünetet.

## ISMERJE MEG A TERMÉKET

Lásd 139. oldal.

1. Hátsó fogantyú
2. Kioldó reteszelő gombja
3. Kioldó
4. Fűnyíró kés
5. Fűnyíró kés védőtokja
6. Fűrészlárcsa
7. Fűrészlárcsa védőtokja
8. Akkumulátor
9. Akkumulátor reteszelő gomb
10. Töltő
11. Késrögztítő csap
12. Késrögztítők
13. Gumi csatlakozófedő

## SZIMBÓLUMOK A TERMÉKEN



Biztonsági figyelmeztetés



A termék használata előtt olvassa el és értse meg a kezelési útmutatóban leírtakat, és tartsa be az összes figyelmeztető és biztonsági utasítást.



Viseljen védőszemüveget.



Viseljen fülvédőt.



Viseljen csúszásgátló bevonatú, nehéz igénybevételre tervezett védőkesztyűt.



Ne tegye ki esőnek, és ne használja nedves környezetben.



A súlyos sérülések elkerülése végett ne érintse meg a vágókéseket.



Figyeljen a kivetett vagy repülő tárgyakra. Az összes nézelődő, különösen a gyerekek és a háziállatok, legyenek legalább 15 m-es távolságra a használati területtől.



Figyelemfelhívás! A vágóberendezés a motor kikapcsolása után tovább üzemel.



A kiselejtezett elektromos termékeket nem szabad a háztartási hulladékkal együtt kidobni. Ezeket újra kell hasznosítani, ha van rá lehetőség. Az újrahasznosítással kapcsolatban érdeklődjön a helyi önkormányzatnál vagy a termék forgalmazójánál.



Ez a szerszám minden, a vásárlás európai uniós országában hatályos szabványnak megfelel.



Eurázsiai megfelelési jelzés.



Ukrainai megfelelési nyilatkozat



A címkén látható garantált hangteljesítményszint 86 dB.

A következő jelölőszavak és jelentések arra szolgálnak, hogy megmagyarázzák a termékkel kapcsolatos veszélyességi szinteket.

### ⚠ VESZÉLY

Egy bekövetkező veszélyes helyzetet jelez, ami, ha nem előzik meg, halált vagy komoly sérülést eredményez.

### ⚠ FIGYELMEZTETÉS

Egy potenciálisan bekövetkező veszélyes helyzetet jelez, amit, ha nem előznek meg, halált vagy komoly sérülést eredményezhet.

### ⚠ FIGYELEMFLHÍVÁS

Egy potenciálisan veszélyes helyzetet jelez, ami, ha nem előzik meg, kisebb vagy mérsékelt sérülést eredményezhet.

### FIGYELEMFLHÍVÁS

Biztonsági figyelmeztető szimbólum nélkül  
Egy olyan helyzetet jelez, ami anyagi kárt eredményezhet.

## A KÉZIKÖNYVBEN HASZNÁLT SZIMBÓLUMOK



Külön értékesített alkatrészek és kiegészítők



Megjegyzés



Figyelem

- EN
- FR
- DE
- ES
- IT
- NL
- PT
- DA
- SV
- FI
- NO
- RU
- PL
- CS
- HU**
- RO
- LV
- LT
- ET
- HR
- SL
- SK
- BG
- UK
- TR



Au fost acordate priorități maxime siguranței, performanței și fiabilității în proiectarea foarfecii dvs. de tăiat iarba / foarfecii de tăiat tufș.

### UTILIZARE PREVĂZUTĂ

Foarfecla/lama de tuns pentru iarba cu acumulator este destinată exclusiv utilizării în exterior, într-o zonă bine ventilată.

Produsul este proiectat pentru uz casnic și domestic.

Când este echipat cu capul tip foarfecă, produsul este destinat pentru tunderea ușoară a ierbii și a buruienilor.

Când este echipat cu capul tip lamă de tuns, produsul este destinat pentru tunderea ușoară a ierbii, arbuștilor și tufșurilor.

Nu folosiți în alte scopuri.

### AVERTISMENTE GENERALE PRIVIND SIGURANȚA

#### AVERTISMENT

**Citiți toate avertismentele și instrucțiunile de siguranță.** Nerespectarea acestor avertismente și instrucțiuni poate conduce la șocuri electrice, incendii și/ sau accidente grave.

**Păstrați aceste avertismente și instrucțiuni, pentru a le putea consulta ulterior.**

Termenul de "unealtă electrică" folosit în avertismente se referă la uneltele electrice alimentate de la rețea (cu cablu) sau cu acumulator (fără cablu).

#### Mediul de lucru

- **Mențineți curată și bine iluminată zona de lucru.** Zonele dezordonate și întunecate prezintă pericol de accidente.
- **Nu operați cu unealta electrică în atmosfere explozive, precum în prezența lichidelor, gazelor sau a prafului inflamabil(e).** Uneltele electrice creează scântei care pot aprinde praful sau vaporii.
- **Țineți copiii și persoanele din jur la distanță în timpul operării unei unelte electrice.** Distragerea atenției vă poate face să pierdeți controlul.

#### Siguranță electrică

- **Ștecărele uneltelor electrice trebuie să se potrivească cu priza.** Nu modificați niciodată ștecărul în nici un fel. Nu folosiți niciodată adaptoare de ștecăr cu uneltele electrice cu împământare. Ștecărele nemodificate și prizele potrivite reduc riscul de electrocutare.
- **Evitați contactul corpului cu suprafețele conectate la împământare, precum țevi, radiatoare, reșouri, mașini de gătit și frigider.** Există un risc crescut de electrocutare când corpul dumneavoastră are contact cu împământarea.
- **Nu expuneți produsul la ploaie sau condiții de umiditate.** Apa care intră într-o unealtă electrică va crește riscul de electrocutare.

- **Nu forțați cablul. Nu trageți niciodată uneltele electrice de cablul de alimentare pentru a o transporta, a o trage sau a scoate ștecărul din priză.** Țineți cablul de alimentare departe de căldură, ulei, muchii ascuțite sau piese în mișcare. Cablurile deteriorate sau încurcate cresc riscul de electrocutare.
- **Atunci când lucrați cu o unealtă electrică în aer liber, folosiți un prelungitor adecvat pentru utilizarea în aer liber.** Folosirea unui prelungitor adecvat pentru utilizarea în aer liber reduce riscul de electrocutare.
- **În cazul în care operarea unei unelte electrice într-o zonă umedă nu poate fi evitată, folosiți o alimentare protejată cu un dispozitiv de curent rezidual (RCD).** Utilizarea unui RCD reduce riscul de electrocutare.

#### Siguranță personală

- **Fiți vigilenți, fiți atenți la ceea ce faceți, acționați cu simț practic când operați o unealtă electrică. Nu folosiți uneltele electrice în timp ce sunteți obosit sau sub influența drogurilor, a alcoolului sau a medicamentelor.** Un moment de neatenție în timpul operării uneltelor electrice poate cauza vătămare personală gravă.
- **Utilizați echipament personal de protecție. Purtați întotdeauna ochelari de protecție.** Echipamentele de protecție, precum masca de praf, încălțăminte de protecție antiderapantă, casca sau protecția auditivă, folosite în condiții adecvate, vor reduce riscul rănilor.
- **Prevenirea pornirii neintenționate. Asigurați-vă că comutatorul este în poziția oprit înainte deconectarea la sursa de alimentare și / sau la acumulator, ridicarea sau transportul uneltei.** Transportarea uneltelor electrice cu degetul pe comutator sau punerea sub tensiune a uneltelor electrice care au comutatorul în poziția pornit predispune la accidente.
- **Îndepărtați orice cheie de reglare înainte de a porni uneltele.** O cheie sau rămasă atașată de o piesă rotativă a uneltei electrice poate cauza vătămări corporale.
- **Nu vă aplecați excesiv. În timpul operării dispozitivului, păstrați-vă în permanență echilibrul și stabilitatea.** Acest lucru permite un mai bun control al uneltei electrice în situații neașteptate.
- **Îmbrăcați-vă corespunzător. Nu purtați haine largi sau bijuterii. Mențineți părul, hainele și mănușile departe de piesele în mișcare.** Hainele largi, bijuteriile sau părul lung pot fi prinse de piesele aflate în mișcare.
- **Dacă sunt prevăzute dispozitive pentru conectarea facilităților de extracție și de colectare a prafului, asigurați-vă că acestea sunt conectate și folosite corect.** Utilizarea colectării prafului poate reduce riscurile legate de praf.

#### Folosirea și întreținerea uneltei electrice

- **Nu forțați produsul. Folosiți uneltele electrice corectă pentru aplicație.** Unealta electrică corectă va funcționa mai bine și mai sigur la viteza pentru care a fost proiectată.
- **Nu folosiți uneltele electrice dacă comutatorul nu o poate porni și opri.** Orice unealtă electrică, care nu







poate fi controlată cu comutatorul este periculoasă și trebuie reparată.

- **Deconectați ștecărul de la sursa de alimentare și / sau acumulatorul de la unealta electrică înainte de a efectua orice reglaje, a schimba accesoriu sau de a stoca uneltele electrice.** Astfel de măsuri preventive de siguranță reduc riscul de pornire accidentală a unelei electrice.
- **Nu lăsați uneltele electrice la îndemâna copiilor și nu permiteți persoanelor nefamiliarizate cu unealta electrică sau cu aceste instrucțiuni să folosească unealta.** Uneltele electrice sunt periculoase în mâinile utilizatorilor neinstruiți.
- **Întrețineți uneltele electrice. Verificați alinierea sau lipirea pieselor în mișcare, spargerea pieselor, precum și orice altă stare care poate afecta funcționarea unelei electrice. Dacă este deteriorată, solicitați repararea unelei înainte de utilizare.** Multe accidente sunt cauzate de unelte electrice întreținute necorespunzător.
- **Păstrați uneltele de tăiere ascuțite și curate.** Uneltele de tăiere corect întreținute, cu muchii de tăiere ascuțite au o probabilitate mai redusă de lipire și sunt mai ușor de controlat.
- **Folosiți unealta electrică, accesoriile și burghiile etc. în conformitate cu aceste instrucțiuni, ținând cont de condițiile de lucru și de lucrarea care urmează să fie efectuată.** Utilizarea unelei electrice pentru alte operații decât cele preconizate poate duce la situații periculoase.

#### Folosirea și întreținerea mașinii cu acumulator

- **Reîncărcați numai cu încărcătorul specificat de producător.** Un încărcător destinat unui anumit tip de acumulator este folosit la încărcarea altor acumulatori există pericolul de incendii.
- **Folosiți uneltele electrice numai cu acumulatorii indicați.** Utilizarea oricărui altii acumulatori poate crea un risc de vătămare și de incendiu.
- **Atunci când acumulatorul nu este în uz, păstrați-l departe de alte obiecte metalice, cum ar fi agrafe de birou, monede, chei, cuie, șuruburi sau alte obiecte metalice mici, care pot face o conexiune de la o bornă la alta.** Scurtcircuitarea bornelor bateriei poate provoca arsuri sau incendiu.
- **Ca urmare a folosirii necorespunzătoare, din acumulator se poate scurge lichid; evitați contactul cu acesta. În cazul unui contact accidental, spălați cu apă. În cazul contactului cu ochii, consultați suplimentar un medicul.** Lichidul care iese din acumulator poate provoca iritații sau arsuri.

#### Întreținere

- **Solicitați efectuarea lucrărilor de service la unealta dvs. electrică numai de către o persoană calificată în reparații, folosind numai piese de schimb identice.** Acest lucru va garanta că siguranța unelei electrice este menținută.

## AVERTISMENTE DE SIGURANȚĂ PRIVIND FOARFECA/LAMA DE TUNS IARBĂ

### ⚠ AVERTISMENT

Mecanismul de tăiere va continua să se rotească și după oprirea motorului.

#### INSTRUIRE

- Citiți instrucțiunile cu atenție. Familiarizați-vă cu comenzile și folosirea corectă a produsului.
- Nu lăsați niciodată copiii, persoanele cu capacități fizice, senzoriale sau mintale reduse sau cu lipsă de experiență și cunoștințe sau persoanele nefamiliarizate cu aceste instrucțiuni să folosească produsul. Reglementările locale pot restricționa vârsta operatorului.
- Rețineți că operatorul sau utilizatorul este responsabil pentru accidentele sau pericolele ce pot avea loc asupra altor persoane sau proprietății lor.

#### PREGĂTIRE

- Inspectați produsul înainte de utilizare. Înlocuiți toate piesele deteriorate.
- Curățați zona de tăiere înainte de fiecare utilizare. Îndepărtați toate obiectele precum cabluri, becuri, fire, șnururi ce pot fi aruncate sau încurcate în mijloacele de tăiere.
- Nu utilizați niciodată mașina în timp ce în apropiere se află persoane, în special copii sau animale de companie.
- Înlocuiți lamele de tăiere sau orice alte componente care prezintă fisuri, care sunt ciobite sau deteriorate. Asigurați-vă că accesoriul de tăiere este instalat corespunzător și bine fixat. În caz contrar, acest lucru poate conduce la vătămarea operatorului și a spectatorilor, precum și la deteriorarea unității.
- Nu folosiți produsul dacă întrerupătorul nu pornește sau oprește produsul. Un produs care nu poate fi controlat cu ajutorul întrerupătorului este periculos și trebuie reparat.
- Verificați întotdeauna dacă cheile și dispozitivele de reglaj au fost îndepărtate de pe produs înainte de punerea în funcțiune.

#### UTILIZARE

- Pentru a reduce riscul de accidentare, purtați întotdeauna mănuși și îmbrăcăminte de protecție la utilizarea produsului.
- Îmbrăcați-vă corespunzător. Nu purtați îmbrăcăminte deschisă sau bijuterii; aceste pot fi agățate de părțile în mișcare. La lucrul în exterior se recomandă utilizarea de mănuși, încălțăminte solidă și pantaloni lungi.
- Evitați folosirea produsului în condiții de vreme rea în special când există risc de fulgere.
- Porniți motorul doar după ce mâinile și picioarele sunt departe de piesele tăietoare.
- Aveți grijă să nu vă accidentați la mâini sau picioare prin plasarea lor în dreptul zonei de tăiere.

EN
FR
DE
ES
IT
NL
PT
DA
SV
FI
NO
RU
PL
CS
HU
<b>RO</b>
LV
LT
ET
HR
SL
SK
BG
UK
TR





- Întotdeauna fiți conștient de elementele ambientale și fiți atent la posibilele pericole pe care este posibil să nu le auziți din cauza zgomotului produs de mașină.
- Nu încercați niciodată să utilizați un produs incomplet sau cu modificări neautorizate.

### AVERTIZĂRI DE SIGURANȚĂ ASUPRA MAȘINI DE TUNS GARDUL VIU.

- **Țineți toate părțile corpului la distanță de lama cuțitului. Nu îndepărtați materialul tăiat și nu țineți materialul ce urmează a fi tăiat, atunci când lamele sunt în mișcare. Asigurați-vă că comutatorul este oprit, atunci când curățați materiale blocate.** Un moment de neatenție în timpul operării produsului poate rezulta în vătămare personală gravă.
- **Transportați foarfeca de grădină de mâner cu lama cuțitului oprită. Atunci când transportați sau depozitați foarfeca de grădină, întotdeauna fixați capacul dispozitivului de tăiere.** Manipularea adecvată a foarfecei de grădină va reduce posibilele vătămări personale cauzate de lamele cuțitului.
- **Țineți unealta de tăiere numai de suprafețele de prindere izolate deoarece lama cuțitului poate intra în contact cu fire ascunde sau cu propriul cablu.** Lamele de tăiere care intră în contact cu un conductor sub curent pot expune la curent părțile metalice ale unei electrice și pot conduce la electrocutarea operatorului.
- **Păstrați cablul la distanță de zona de tăiere.** În timpul operării cablul poate fi ascuns în arbuști și poate fi tăiat accidental de lamă.
- Verificați gardul viu de obiecte străine precum garduri de sârmă.

### AVERTIZĂRI SUPLIMENTARE DE SIGURANȚĂ

- Pentru a evita pornirea accidentală, nu transportați produsul cu degetul pe trăgaciul de pornire.
- Purtați pantaloni lungi din material gros, încălțăminte solidă și mănuși potrivite ca dimensiuni. Nu purtați pantaloni scurți și sandale și nu mergeți cu picioarele goale.
- Comutatorul de pornire trebuie să se afle în poziția oprit înainte de a monta acumulatorul. Montarea acumulatorului cu comutatorul de pornire în poziția pornit crește riscul de accidente.
- Nu utilizați în condiții de iluminare necorespunzătoare. Folosiți produsul pe timpul zilei sau dacă aveți o sursă de lumină artificială bună.
- Mențineți sprijin ferm pe picioare și echilibru. Nu vă aplecați excesiv. Aplecarea excesivă poate cauza pierderea echilibrului. Trebuie să stați întotdeauna într-o poziție stabilă pe pante. Mergeți. Nu alergați niciodată.
- Nu forțați produsul. Aceasta va funcționa mai bine și mai sigur la viteză pentru care a fost proiectată.
- Înainte de a porni produsul, asigurați-vă că accesoriul de tăiere nu este în contact cu niciun obiect. Dacă accesoriul de tăiere lovește sau se blochează în obiecte străine, opriți produsul imediat, scoateți acumulatorul și verificați produsul pentru a nu prezenta defecțiuni. Nu

operați unitatea dacă prezintă componente libere sau deteriorate.

- Verificați echipamentul, căutând componente incorect aliniate, incorect fixate, deteriorate sau în orice altă stare care ar putea afecta buna funcționare a acestuia. Înainte de utilizarea în continuare a produsului, trebuie verificate toate componentele deteriorate pentru a determina dacă produsul va funcționa corespunzător. Orice piesă componentă deteriorată trebuie reparată sau înlocuită de un centru de service autorizat.
- Pentru a reduce riscul de rănire asociat cu piesele în mișcare, opriți întotdeauna produsul, scoateți acumulatorul, asigurați-vă că toate piesele în mișcare s-au oprit și permiteți ca acesta să se răcească înainte de:
  - oricând lăsați produsul nesupravegheat
  - înainte îndepărtarea unui blocaj
  - înainte de a verifica, curăța sau lucra asupra produsului
  - inspecția produsului după lovirea unui obiect străin
  - dacă produsul începe să vibreze anormal
- Țineți mâinile departe de lame. Nu îndepărtați materialul tăiat și nu țineți materialul ce urmează a fi tăiat, atunci când lamele sunt în mișcare. Asigurați-vă că ați scos acumulatorul și că trăgaciul este liber înainte de a îndepărta materialul blocat în accesoriul de tăiere. Nu prindeți lamele de tăiere expuse sau muchiile de tăiere când ridicăți sau țineți unitatea principală.
- Păstrați fața, mâinile și picioarele la o distanță sigură de părțile în mișcare. Nu atingeți sau încercați să opriți lamele tăietoare în timp ce se mișcă.
- Opriți întotdeauna motorul când amânați operația de tăiere sau când treceți de la o zonă de tăiere la alta.
- Păstrați produsul curat, fără urme de iarbă și alte materiale. Se pot prinde în lamele de tăiere.
- Puneți întotdeauna apărătoarea lamei când produsul nu este în folosință.
- Nu udați niciodată produsul cu un furtun sau jet de apă sau cu orice alt lichid. Păstrați mânerul uscat, curat și fără reziduuri.
- Transportarea și depozitarea
- Nu folosiți niciodată aparatul cu apărători sau protecții defecte sau fără dispozitive de siguranță montate.
- Opriți echipamentul și scoateți imediat acumulatorul în cazul unui accident sau al unei defecțiuni. Nu utilizați din nou produsul înainte de a realiza o verificare completă, la un centru de service autorizat.
- Când transportați sau depozitați produsul, utilizați întotdeauna husa de protecție pentru lamă.
- Curățați amănunțit produsul înainte de a-l depozita. Depozitați produsul într-un loc uscat, ventilat, inaccesibil copiilor. Nu-l depozitați în apropiere de agenți corozivi cum ar fi produși chimici de grădinărit sau săruri antigel.
- Depozitați și încărcați acumulatorii într-o zonă rece. Temperaturile mai mari sau mai mici decât temperatura camerei vor scurta durata de viață a acumulatorului.
- Nu depozitați niciodată acumulatorul descărcat. Așteptați ca acumulatorul să se răcească și reincărcați-l imediat.





- Pentru transportare, fixați produsul împotriva mișcării sau căderii pentru a preveni vătămarea persoanelor sau deteriorarea produsului.

### TRANSPORTAREA BATERIILOR DE LITIU.

Transportați bateriile în conformitate cu prevederile și reglementările locale și naționale.

Urmați toate cerințele speciale privind împachetarea și etichetarea atunci când transportați baterii către un terț. Asigurați-vă că nicio baterie nu poate să intre în contact cu alte baterii sau materiale conductive în timpul transportului prin protejarea conectorilor expuși cu bandă, capace izolatoare neconductive. Nu transportați bateriile ce sunt crăpate sau care au scurgeri. Verificați cu firma transportatoare pentru recomandări ulterioare.

### ÎNȚEȚINEREA

#### ⚠ AVERTISMENT

Folosiți doar piese de schimb, accesorii și atășamente originale ale producătorului. Neurmarea acestora poate cauza posibilă vătămare, slaba funcționare și ar putea anula garanția.

#### ⚠ AVERTISMENT

Service-ul necesită atenție și cunoștințe deosebite și trebuie îndeplinit doar de către un tehnician service calificat. Pentru service, duceți produsul la un centru service autorizat. La efectuarea serviciului, folosiți doar piese de schimb originale ale producătorului.

- Utilizați mânuși la manevrarea accesoriilor de tăiere.
- Întrețineți produsul cu atenție. Păstrați muchiile de tăiere curate și ascuțite pentru a obține cele mai bune performanțe și pentru a reduce riscurile de accidentare. Respectați instrucțiunile de lubrifiere și pentru schimbarea accesoriilor. Mențineți mânerul uscat, curat și fără urme de ulei și vaselină.
- Oprii echipamentul și îndepărtați bateria înainte de a efectua orice tip de lucrări de întreținere sau de curățare.
- După fiecare folosire, curățați corpul și mânerul produsului cu o cârpă moale și uscată.
- După fiecare folosire, curățați resturile de pe lame/discuri cu o perie tare și apoi cu atenție aplicați un lubrifiant de prevenire a ruginii înainte a atașa protecția lamei/discului. Producătorul recomandă să folosiți un spray lubrifiant de prevenire a ruginii și să aplicați pe o suprafață dreaptă pentru a reduce riscul de vătămare personală de la contactul cu lamele/discurile. Pentru informații privind spray-ul corespunzător, întrebați centrul dvs service local autorizat.
- Evitați să folosiți solvenți pentru curățarea pieselor din plastic. Majoritatea pieselor din plastic sunt susceptibile să se deterioreze de la tipurile diferite de solvenți comerciali și pot fi deteriorate. Utilizați cârpe curate pentru a îndepărta praful, uleiul, vaselina etc.

- Asigurați-vă întotdeauna că deschiderile de ventilație nu sunt acoperite de resturi.
- Verificați periodic lamele pentru daune și uzură.
- Folosiți întotdeauna lamele de schimb specificate de la producător.
- Pentru o operare mai facilă și pentru a prelungi durata de viață a dispozitivului tăietor, ungeți lamele tăietorului după fiecare utilizare. Înainte de lubrifiere, scoateți acumulatorul și plasați lamele tăietoare pe o suprafață plană. Aplicați lubrifiant pentru mașină cu viscozitate redusă de-a lungul muchiei lamei superioare. Nu aplicați ulei în timpul funcționării produsului.

### RISCURI REZIDUALE

Chiar dacă produsul este folosit așa cum a fost prescris, este totuși imposibil să se elimine complet anumite factori de risc reziduali. Următoarele pericole pot apărea în timpul folosirii și operatorul trebuie să acorde atenție specială pentru a evita următoarele:

- Vătămare cauzată de vibrație.
  - Țineți produsul de mânerul proiectat și restricționați timpul și expunerea de lucru.
- Poate fi cauzată vătămarea auzului de la expunerea la zgomot.
  - Purtați protecție pentru auz și limitați expunerea.
- vătămare de la contactul cu lamele
  - Lamele nu pot fi apărate în timpul tăierii. Țineți lama ferită de dvs sau alte persoane. Puneți întotdeauna apărătoarea lamei când produsul nu este în folosință.

### REDUCEREA RISCULUI

S-a raportat faptul că vibrațiile produse de unelele manuale pot contribui, la anumite persoane, la o afecțiune denumită Sindromul Raynaud. Simptomele pot include furnicături, amorțeală și albirea degetelor, care apare, de obicei, după expunerea la frig. Factori ereditari, expunerea la frig și umiditate, dieta, fumatul și practicile de muncă contribuie la dezvoltarea acestor simptome. Există măsurător care pot fi efectuate de către operator pentru a reduce efectele de vibrațiilor:

- Păstrați-vă temperatura corporală ridicată pe vreme rece. Când operați produsul purtați mânuși pentru a menține calde mâinile și încheieturile. S-a constatat că vremea rece este un factor major care contribuie la sindromul Raynaud.
- După fiecare perioadă de operare, trebuie făcute exerciții pentru a crește circulația sângelui.
- Trebuie făcute pauze la intervale de timp regulate. Limitați expunerea zilnică.
- Dacă sunt experimentate oricare dintre simptomele acestei afecțiuni, trebuie întreruptă utilizarea și consultat un medic.



## ⚠️ AVERTISMENT

Pot fi cauzate sau agravate vătămirile de la folosirea prelungită a aparatului. Atunci când folosiți o sculă pentru perioade prelungite, asigurați-vă că luați pauze regulate.

## CUNOAȘTEȚI-VĂ PRODUSUL

Vezi pagina 139.

1. Mănerul principal
2. Buton de blocare declanșator
3. Declanșator
4. Lamă de tuns iarba
5. Husă pentru lama de tuns iarba
6. Lamă tip foarfecă
7. Husă pentru lama tip foarfecă
8. Acumulator
9. Buton zăvor a bateriei
10. Încărcător
11. Buton de blocare a lamei
12. Suporturi lamă
13. Capac de cauciuc pentru soclul acumulatorului

## SIMBOLURILE DE PE PRODUS.



Avertizare de siguranță



Citiți și înțelegeți toate instrucțiunile înaintea operării produsului, urmați toate avertizările și instrucțiunile de siguranță.



Purtați întotdeauna ochelari de protecție.



Purtați protecție pentru urechi.



Purtați mănuși care nu alunecă, de protecție la sarcinile dificile.



Nu expuneți la ploaie sau umezeală.



Pentru prevenirea vătămării grave nu atingeți lamele de tăiere.



Feriți-vă de obiecte proiectate sau în zbor. Țineți toți trecătorii, în special copiii și animalele de companie la cel puțin 15 metri de zona de operare.



Atenție! Mecanismul de tăiere va continua să se rotească și după oprirea motorului.



Deșeurile produselor electrice nu trebuie să fie eliminate împreună cu deșeurile casnice. Vă rugăm reciclați acolo unde există facilități. Verificați la autoritatea dvs locală sau la vânzător pentru sfaturi privind reciclarea.



Acest aparat este conform cu ansamblul normelor reglementare din țara din UE în care a fost cumpărat.



Marcaj de conformitate EurAsian.



Semn de conformitate ucrainean



Nivelul de putere acustică indicat pe eticheta acestui echipament este de 86 dB.

mătoarele cuvinte simbol și înțelesul lor au intenția de a explica nivelele de risc asociate cu acest produs.

### ⚠️ PERICOL

Indică o situație periculoasă iminentă, care dacă nu este evitată va cauza decesul sau vătămarea gravă.

### ⚠️ AVERTISMENT

Indică o situație periculoasă iminentă, care dacă nu este evitată poate rezulta în deces sau vătămare gravă.

### ⚠️ ATENȚIE

Indică o situație potențial periculoasă, care dacă nu este evitată poate cauza vătămarea moderată sau ușoară.

### ATENȚIE

Fără a simbolul de alertă privind siguranța

Indică o situație care poate duce la pagube materiale.

## SIMBOLURI DIN ACEST MANUAL



Piese sau accesorii vândute separat



Notă



Avertisment



Drošība, sniegums un uzticamība ir galvenā prioritāte, izstrādājot bezvadu zāles šķēres/krūmgriezī.

## PAREDŽĒTAIS LIETOJUMS

Bezvadu zāles šķēres/krūmu šķēres paredzētas lietošanai tikai ārpus telpām labi vēdināmās vietās.

Šī ierīce ir paredzēta lietošanai mājās apstākļos.

Izmantojot dzirkļu uzliku, izstrādājums paredzēts vieglai zāles vai augu griešanai.

Izmantojot krūmu šķēru uzliku, izstrādājums paredzēts vieglai krūmāju, košumkrūmu un dzīvžogu apgriešanai.

Nelietojiet citiem mērķiem.

## VISPĀRĪGIE DROŠĪBAS BRĪDINĀJUMI

### ⚠ BRĪDINĀJUMS

Izlasiet visus drošības brīdinājumus un norādījumus. Brīdinājumu un norādījumu neizpildīšana var izraisīt elektrisko triecienu, aizdegšanos un/vai smagu ievainojumu.

Brīdinājumus un instrukcijas saglabājiet turpmākai uzziņai.

Nosaukums "elektroinstruments" brīdinājumos attiecas uz jūsu elektrisko (ar vadu) elektroinstrumentu vai ar akumulatoru darbināmo (bez vada) elektroinstrumentu.

### Darba vieta

- Turiet darba vietu tīru un labi apgaismotu. Pārļīvētas un tumšas vietas izraisa negadījumus.
- Nedarbiniet elektroinstrumentus sprādzienbīstamā vidē, piemēram, degošu šķidrums, gāzu vai putekļu klātbūtnē. Elektroinstrumenti rada dzirksteles, kas var aizdedzināt putekļus vai gāzes.
- Neļaujiet bērniem un blakusstāvētājiem tuvoties darbā esošiem elektroinstrumentiem. Izklaidības dēļ jūs varat zaudēt kontroli.

### Elektrodrošība

- Elektroinstrumenta kontaktdakšai jāatbilst kontaktligzdai. Nekad nepārveidojiet kontaktdakšu. Sazemētiem elektroinstrumentiem nelietojiet pārejas ligzdas. Nepārveidotas kontaktdakšas un atbilstošas kontaktligzdas samazinās elektriskā triecienu risku.
- Nepieļaujiet ķermeņa kontaktu ar sazemētām virsmām, piemēram, caurulēm, radiatoriem, pavadiem un saldētāvē. Ja jūsu ķermenis ir sazemēts, pastāv palielināts elektriskā triecienu risks.
- Nepakļaujiet precī lielum vai slapiem apstākļiem. Ūdens iekļūšana elektroinstrumentā palielina elektriskā triecienu risku.
- Neizmantojiet kabeli nepareizi. Nekad neizmantojiet vadu, lai nestu, vilktu elektroinstrumentu vai atvienotu kontaktdakšu. Turiet kabeli tālu no siltuma avota, eļļas, asiem priekšmetiem vai kustīgām detaļām. Bojāts vai savērpts kabelis palielina elektriskā triecienu iespēju.

- Strādājot ar elektroinstrumentu ārpus telpām, lietojiet āra lietošanai piemērotu pagarinātāju. Elektriskā triecienu risku samazina lietošanai ārpus telpām piemērota kabeļa izmantošana.
- Ja elektroinstrumenti ir jālieto mitrās telpās, izmantojiet strāvas noplūdes automātslēdzi (RCD) barošanas vadā. Palielētais strāvas ierīces izmantošana samazina elektriskā triecienu risku.

### Personiskā drošība

- Uzmanieties darba laikā un izmantojiet veselo saprātu, darbojoties ar elektroinstrumentu. Neizmantojiet elektroierīci, ja esat noguris vai narkotisko vielu, alkohola vai medikamentu ietekmē. Neuzmanības brīdis, strādājot ar elektroinstrumentiem, var izraisīt smagus ievainojumus.
- Lietojiet personīgo aizsargaprīkojumu. Vienmēr lietojiet aizsargbrilles. Aizsargaprīkojums, piemēram, putekļu maska, neslīdoši aizsargapavi, aizsargķivere vai ausu aizsargi, kas lietoti atbilstošos apstākļos, samazina personas ievainojumu iespēju.
- Nepieļaujiet nejausu iedarbināšanu. Pirms pievienot enerģijas avotam un/vai akumulatoram, pacelt un pārvietot darbarīku, pārliecinieties, ka slēdzis ir izslēgtā stāvoklī. Elektroinstrumentu pārnēsāšana, turot pirkstu uz slēdža vai ieslēgtu elektroinstrumentu pārnēsāšana var izraisīt nelaimes gadījumu.
- Noņemiet visas regulēšanas uzgriežņu atslēgas pirms elektroierīces ieslēgšanas. Uzgriežņu atslēga vai atslēga, kas palikusi piestiprināta pie elektroinstrumenta rotējošās detaļas, var izraisīt personas ievainojumu.
- Nepersietempkite. Visu laiku stāviet stingri un stabili. Tas ļauj labāk vadīt elektroinstrumentu negaidītās situācijās.
- Apģērbieties pareizi. Nevalkājiet vaļīgu apģērbu vai rotaslietas. Turiet savus matus, apģērbu un cimdus tālu no kustīgām detaļām. Vaļīgs apģērbs, rotaslietas vai garī mati var tikt ierauti starp kustīgām detaļām.
- Ja ierīce ir aprīkota ar putekļu nosūcēja un savācēja pievienojumu, pārliecinieties, ka tas ir pievienots un tiek pareizi lietots. Putekļu savācēja lietošana var samazināt putekļu izraisītos riskus.

### Elektroinstrumentu lietošana un aprūpe

- Nepielietojiet spēku, izmantojot ražojumu. Izmantojiet savam darbam atbilstošu elektroierīci. Pareizais elektroinstruments veiks darbu labāk un drošāk ar ātrumu, kādam ticis konstruēts.
- Nelietojiet elektroinstrumentu, ja ar slēdzi to nevar ieslēgt un izslēgt. Ja elektroinstrumentu nevar vadīt ar slēdzi, tas ir bīstams un jāremontē.
- Atvienojiet kontaktdakšu no enerģijas avota un/vai akumulatoru no elektroinstrumenta pirms veikt jebkādas regulējumus, piederumu maiņu vai novietot glabāšanai elektroinstrumentus. Šādi profilakses pasākumi samazina elektroierīces nejausās iedarbināšanas iespēju.
- Glabājiet neizmantotus elektroinstrumentus bērniem nepieejamās vietās un neļaujiet neapmācītām personām darboties ar





**elektroinstrumentiem.** Elektroinstrumenti ir bīstami neapmācītu personu rokās.

- **Apkopt elektroinstrumentus. Pārbaudiet kustīgo detaļu savienojumu pareizību, detaļu berzi un citus apstākļus, kas var ietekmēt elektroinstrumenta darbu. Ja elektroinstrumenti ir bojāti, pirms lietošanas veiciet tā remontu.** Daudzus negadījumus izraisa slikti apkopti elektroinstrumenti.
- **Turiet griezējriekus asus un tīrus.** Pareizi apkopti griezējinstrumenti ar asām griezējšķautnēm retāk pielīp un ir vieglāk vadāmi.
- **Izmantojiet elektroierīci, piederumus, darbinstrumentus u.c. saskaņā ar šiem norādījumiem, ņemiet vērā darba apstākļus un veicamo darbu.** Elektroinstrumenta izmantošana neparedzētu darbību veikšanai var radīt bīstamu situāciju.

#### Ar akumulatoru darbināmu ierīču lietošana un kopšana

- **Uzlādējiet tikai ar ražotāja noteikto lādētāju.** Lādētājs, kas paredzēts lietošanai ar viena veida akumulatoru, var būt ugunsnedrošs, ja to izmanto ar citu akumulatoru.
- **Lietojiet elektriskos instrumentus tikai ar konkrētajai ierīcei paredzēto akumulatoru.** Jebkura cita akumulatora lietošana var radīt ievainojumu un ugunsgrēka risku.
- **Kad nelietojat akumulatoru, neturiet to citu metāla priekšmetu tuvumā, piemēram: papīra saspaušanas, monētas, atslēgas, naglas, skrūves vai citi sīki metāla priekšmeti, kas var veidot savienojumu starp spailēm.** Akumulatora spaiļu īsslēgums var radīt aizdegšanos vai ugunsgrēku.
- **Nepareizas rīcības gadījumā no akumulatora var izkļūt šķidrums; izvairieties no saskares ar to. Nejaušas saskares gadījumā skalojiet skarto vietu ar ūdeni. Ja šķidrums nokļūst acīs, nepieciešama arī medicīniskā palīdzība.** No akumulatora izkļušais šķidrums var izraisīt kairinājumu vai apdegumus.

#### Apkope

- **Vai jūsu elektroinstrumentu apkalpo kvalificēts personāls, izmantojot tikai identiskas rezerves daļas.** Tas nodrošinās elektroinstrumenta drošības saglabāšanu.

### ZĀLES ŠĶĒRU/KRŪMU ŠĶĒRU DROŠĪBAS BRĪDINĀJUMI

#### ▲ BRĪDINĀJUMS

Grieznes turpina darboties pēc dzinēja izslēgšanas.

#### APMĀCĪBA

- Uzmanīgi izlasiet norādījumus. Iepazīstieties ar ierīces vadīšanu un pareizu lietošanu.
- Nekad neļaujiet bērniem, cilvēkiem ar samazinātām fiziskajām spējām, maņu vai garīgiem traucējumiem, vai cilvēkiem ar pieredzes un zināšanu trūkumu, vai cilvēkiem, kuri nav iepazīlušies ar instrukcijām,

izmantot šo ierīci. Vietos jstatymai gali apriboti jrengimo operatoriaus amziu.

- Turēkite omenyje, kad operatorius arba vartotojas yra atsakingas už nelaimingus atsitikimus arba kitiems asmenims ar jų turtui sukeltą pavojų..

#### SAGATAVOŠANA

- Pirms lietošanas pārbaudiet ražojumu. Nomainiet bojātās detaļas.
- Pirms katras lietošanas atbrīvojiet griezamo apkārtni. Aiznesiet visas lietas, piemēram, vadus, apgaismojumus, kabelus vai saites, kas var lidot vai sapīties griešanas brīdī.
- Nekad nelietojiet iekārtu, kamēr tuvumā atrodas cilvēki, it īpaši bērni, vai dzīvnieki.
- Apmainiet asmeņus vai citas detaļas, kas ir ierīkušas, iesūkušas vai bojātas. Pārliecinieties, ka griešanas uzgalis ir pareizi uzlikts un droši nostiprināts. Pretējā gadījumā var rasties savainojumi operatoram un skatītājiem, kā arī rasties bojājumi iekārtai.
- Neizmantojiet ražojumu, ja slēdzis neieslēdz vai neizslēdz ražojumu. Ražojums, kuru nevar kontrolēt ar slēdzi, ir bīstams un ir jānodod remontā.
- Izveidojiet pieradumu pārbaudīt, vai atslēgas un regulēšanas instrumenti ir izņemti no izstrādājuma pirms tā ieslēgšanas.

#### EKSPLUATĀCIJA

- Lai samazinātu ievainojumu risku, izmantojot izstrādājumu, vienmēr valkājiet pilnu sejas aizsargu, apavus un apģērbu.
- Apģērbieties pareizi. Nevalkājiet vaļīgu apģērbu vai juvelierizstrādājumus - tie var iekļerties kustīgajās daļās. Izmantojiet cimdus, slēgtus apavus un garās bikses, strādājot ārpus telpām.
- Nelietojiet ierīci sliktos laika apstākļos, it īpaši, kad pastāv zibens risks.
- Ieslēdziet motoru tikai tad, ja rokas un kājas ir atstatu no griešanas apriņķojuma.
- Uzmanieties, lai izvairītos no roku un kāju savainošanas ar griešanas apriņķojumu.
- Vienmēr apzinieties savu apkārtni un pievērsiet vērību iespējamiem apdraudējumiem, kurus varat nesadzirdēt iekārtas trokšņa dēļ.
- Nekad nemēģiniet lietot nepilnīgu instrumentu vai tādu, kam veikta neatļautas izmaiņas.

#### DZĪVŽOGA TRIMMERA DROŠĪBAS BRĪDINĀJUMI

- **Turiet visas ķermeņa daļas prom no asmens. Nenonemiet sagrieztus materiālus un neturiet griešanai paredzētus materiālus, kad asmeņi atrodas kustībā. Pārliecinieties, vai slēdzis ir izslēgts pirms atbrīvošanas no iestrēgušiem materiāliem.** Neuzmanīga rīcība, darbojoties ar ierīci var radīt smagu personisku traumu.
- **Pārnēsājiet dzīvžogu trimmeri aiz roktura un ar apturētu asmeni. Pārvietojot vai novietojot dzīvžogu trimmeri, vienmēr uzlieciet griešanas ierīces pārsegu.** Pareiza rīkošanās ar dzīvžogu





trimmeri samazinās iespējamo savainojumu gūšanu no asmeņiem.

- **Turiet elektroinstrumentu tikai aiz izolētajām satveršanai paredzētajām virsmām, jo asmens var nonākt saskarē ar apslēptu elektroinstalāciju vai pats ar savu kabeli.** Ar spriegumam pieslēgtu vadu saskarē nonākuši asmeņi var radīt spriegumu elektroinstrumenta atklātajās metāla daļās un pakļaut operatoru elektrošokam.
- **Turiet kabeli ārpus griešanas zonas.** Izmantošanas laikā, kabelis var atrasties krūmos un var tikt nejauši pārgriezts ar asmeni.
- Pārbaudiet, vai žogā nav priekšmeti, piemēram, žoga stieples.

#### PAPILDU DROŠĪBAS BRĪDINĀJUMI

- Lai izvairītos no nejausas iedarbināšanas, nekad nešenāšiet izstrādājumu, kad pirkti atrodas uz slēdža mēlītes.
- Valkājiet garas blīva auduma bikses, slēgtus apavus un labi piegulošus cimdus. Nevalkājiet īsas bikses, sandales neestrādājiet ar plīkām kājām.
- Nodrošiniet, ka slēdzis ir izslēgtā stāvoklī, pirms ievietot akumulatoru bloku. Akumulatoru bloka ievietošana izstrādājumā, kad slēdzis ir ieslēgts, potenciāli rada ievainojumus.
- Nelietojiet slīktā apgaismojumā. Lietojiet izstrādājumu dienas gaismā vai labā mākslīgā apgaismojumā.
- Visada tvirtai stovēkite ir īslaikykite pusiausvyrā. Nepersitempkite. Persitempe galite prarasti pusiausvyrā. Slīpumā kājas vienmēr turiet stabilā pozīcijā. Ejiet, nekādā gadījumā neskrīeniet.
- Nepielietojiet spēku, izmantojot ražojumu. Tas darbu darīs labāk un drošāk ar ātrumu, kādam tas ticis izstrādāts.
- Pirms izstrādājuma ieslēgšanas pārliecinieties, ka griešanas apriņķis ne ar ko nesaskarsies. Ja griešanas apriņķis atsis vai sapinas ar svešķermeņiem, nekavējoties apturiet izstrādājumu, noņemiet akumulatoru bloku un pārbaudiet, vai nav bojājumu. Nedarbiniet iekārtu, kurai ir vaļīgas vai bojātas detaļas.
- Pārbaudiet, vai detaļām nav bojājumu, kustīgo daļu savietojumu un salīpšanu un citus apstākļus, kas var ietekmēt darbību. Pirms tālākas izstrādājuma izmantošanas, pārējās bojātās daļas ir rūpīgi jāpārbauda, lai noteiktu, vai tās atbilstoši darbosies un veiks to paredzētās funkcijas. Jebkādas bojātās daļas ir atbilstoši jāremontē vai jānomaina pilnvarotā servisa centrā.
- Lai samazinātu ievainojumu risku, kas saistīts ar kustīgām daļām, vienmēr apturiet instrumentu, noņemiet akumulatoru bloku, pārliecinieties, ka visas kustīgās daļas apstājušās un ļaujiet izstrādājumam atdzist pirms:
  - ikreiz, kad atstājat iekārtu bez uzraudzības
  - pirms bloķētāja tīrīšanas
  - pirms iekārtas pārbaudes, tīrīšanas vai labošanas
  - pārbaudīt izstrādājumu pēc sadursmes ar svešķermeņiem

- ja iekārta sāk neparasti vibrēt

- Neturiet rokas asmeņu tuvumā. Nenoņemiet sagrieztus materiālus un neturiet griešanai paredzētus materiālus, kad asmeņi atrodas kustībā. Pārliecinieties, ka akumulatoru bloks ir noņemts un slēdža mēlīte ir atlaista, attīrot griešanas apriņķi no iesprūdušā materiāla. Ceļot vai turot galveno ierīci, neņemiet to aiz nenosegtiem griešanas asmeņiem vai griezējmalām.
- Turiet rokas, sejas un kājas drošā attālumā no kustīgajām daļām. Nemēģiniet pieskarties vai apturēt griezēja asmeņus, kad tie kustās.
- Vienmēr apturiet motoru, kad griešana tiek pārtraukta vai pārvietojaties no vienas griešanas vietas uz citu.
- Uzturiet izstrādājumu tīro no zāles atgriezumiem un citiem materiāliem. Tie var iestrēgt asmeņos.
- Kad nelietojat ierīci, vienmēr uzstādiat asmens pārsegu.
- Nekad nelietojiet vai neapšļāciet ražojumu ar ūdeni vai jebkādu citu šķidrumu. Uzturiet rokturus sausus, tīrus un brīvus no atburumiem.
- Transportēšana un uzglabāšana
- Nekad nelietojiet ierīci, ja ir bojāti aizsargi vai pārsegi vai arī drošības ierīces neatrodas vietā.
- Nekavējoties izslēdziet un noņemiet akumulatoru bloku negadījuma vai salūšanas gadījumā. Neizmantojiet izstrādājumu līdz tas nav pilnībā pārbaudīts pilnvarotā servisa centrā.
- Pārvadājot vai glabājot izstrādājumu, vienmēr uzlieciet izstrādājumam asmeņu aizsarguzliuku.
- Kārtīgi notīriet izstrādājumu pirms glabāšanas. Uzglabājiet instrumentu sausā, labi vēdināmā vietā, kas nav pieejama bērniem. Neglabājiet to vietā, kur tuvumā atrodas korozīvas vielas, piemēram dārza darbos izmantojamās ķīmikālijas vai atsaldešanai domāta sāls.
- Glabājiet un lādējiet akumulatoru blokus vēsā vietā. Temperatūras virs vai zem normālas istabas temperatūras samazina akumulatora darba mūžu.
- Nekad neglabājiet akumulatoru blokus izlādētā stāvoklī. Nogaidiet, līdz akumulatoru bloks atdziest un nekavējoties uzlādējiet.
- Transportējot nostipriniet ierīci, lai tā nekustētos un neapgāztos, jo tas var izraisīt miesas bojājumus un ierīces bojājumus.

#### LITIJA BATERIJU TRANSPORTĒŠANA

Transportējiet baterijas saskaņā ar vietējiem un valsts noteikumiem un regulām.

Ievērojiet visas īpašās prasības saistībā ar iepakojšanu un marķēšanu, transportējot trešās puses baterijas. Nodrošiniet, ka baterijas transportā nevar nonākt saskarē ar citām baterijām vai vadītspējīgiem materiāliem, aizsargājot atklātos savienotājus ar nevadošiem izolācijas vāciņiem vai lentēm. Netransportējiet iekļausu baterijas vai baterijas, kurām ir noplūde. Lūdziet padomu kravu pārvadāšanas uzņēmumam.

EN
FR
DE
ES
IT
NL
PT
DA
SV
FI
NO
PL
RU
CS
HU
RO
<b>LV</b>
LT
ET
HR
SL
SK
BG
UK
TR



## APKOPE

### ⚠ BRĪDINĀJUMS

Lietojiet tikai oriģinālās ražotāja rezerves daļas, piederumus un uzgaļus. Pretējā gadījumā var tikt radīti ievainojumi un parādīts slikts sniegums, kā arī var tikt anulēta garantija.

### ⚠ BRĪDINĀJUMS

Aptarnavimā atlikti būtina itin atīdžiai, todēl rekomenduojuame, kad tehninē apžiuŗā vykdytų kvalifikuotas specialistas. Lai veiktu remontu, nogādājiet ierīci pilnvarotā servisa centrā. Veicot apkopi, lietojiet tikai oriģinālās ražotāja rezerves daļas.

- Kopjot griešanas aprīkojumu, valkājiet cimdus.
- Veiciet rūpīgu ražojuma apkopi. Labākai veikspējai un ievainojumu riska samazināšanai, uzturiet griezēja asmeņus asus un tīrus. Izpildiet eļļošanas un piederumu maiņas norādījumus. Turiet rokturus sausus, tīrus un bez eļļas un smērvielām.
- Izslēdziet un noņemiet akumulatoru bloku, pirms veikt jebkādas apkopes vai tīrīšanas darbus.
- Pēc katras lietošanas reizes, notīriet ierīci un tās rokturus ar mitru, sausu audumu.
- Pēc katras lietošanas reizes, notīriet iežus no asmeņiem ar stingru otīņu, un uzmanīgi uzklājiet pretrūsu aizsargājošu eļļu, pirms pieliekat asmeņu aizsargus. Ražotājs iesaka vienmērīgi uzklāt un lietot pretrūsu aizsargājošu un ieeļļojošu aerosolu, lai samazinātu risku savainoties darbojoties ap asmeņiem. Konsultējieties ar vietējo autorizēto pārstāvi, lai iegūtu informāciju par piemērotiem līdzekļiem.
- Tīrot plastmasas detaļas, nelietojiet šķīdinātājus. Komerציניai tīrīkliai lengvai pažeidžia daugelį plastikinių daļu paviršių ir gali jas apgadinti. Lietojiet tīru audumu, lai notīrītu netīrumus, putekļus, smērvielas u.c.
- Vienmēr pārliecinieties, ka ventilācijas atveres ir tīras un netīrumiem.
- Periodiski pārbaudiet, vai asmeņi nav bojāti un nolietojušies.
- Vienmēr izmantojiet ražotāja noteiktos rezerves asmeņus.
- Vieglākai lietošanai un ilgākam asmens mūžam, ieeļļojiet griezēja asmeņus pirms un pēc katras lietošanas. Pirms ieeļļošanas noņemiet akumulatoru bloku un novietojiet griezēju uz plakanas virsmas. Uzklājiet vieglo mašīnu smēreļļu uz augšējā asmens visā tā garumā. Neuzklājiet eļļu, kad izstrādājums darbojas.

## OBJEKTĪVIE RISKI

Pat ka prece ir lietotā kā noteikts, nav iespējams pilnībā novērst noteiktus riska faktorus. Lietošanas laikā var rasties šādas bīstamas situācijas, un lietotājam ir jāpievērš pastiprināta uzmanība, lai tās novērstu:

- Vibrācijas radīts ievainojums.

– Turiet precī aiz paredzētajiem rokturiem un ierobežojiet darba laiku, un pakļaušanu.

- Pakļaušanas troksnis var radīt dzirdes bojājumus.
  - Valkājiet ausu aizsargu un ierobežojiet saskarsmi.
- savainojumi no saskares ar asmeņiem
  - Zāģēšanas laikā, asmeņi nevar tikt nosegti ar aizsargiem. Turiet asmeņi prom no jums un no citiem. Kad nelietojat ierīci, vienmēr uzstādiēt asmens pārsegu.

## RISKA SAMAZINĀŠANA

Ir ticis ziņots, ka vibrācijas no rokas instrumentiem atsevišķos cilvēkos var veicināt kaiti, ko sauc par Reino sindromu. Simptomi var ietvert pirkstu tīnkšķēšanu, nejutīgumu un nobālēšanu, parasti aukstā laikā. Tiek uzskatīts, ka tradicionālie faktori, aukstums un mitrums, uzturs, smēķēšana un darba prakse sekmē šo simptomu attīstību. Operators var veikt pasākumus, lai iespējami samazinātu vibrācijas efektu:

- Aukstā laikā ķermenim jābūt siltam. Kad darbināt precī valkājiet cimdus, lai rokas un plaukstu locītavas būtu siltas. Ir pētījumi, ka auksts laiks ir galvenais faktors, kas veicina Reino sindromu.
- Ik pēc laika apturiet darbu un veiciet vingrinājumus, kas uzlabo asins cirkulāciju.
- Strādājot jābūt biežiem pārtraukumiem. Ierobežojiet iedarbības ilgumu dienā.
- Ja jūs izjūtat kādu no šiem simptomiem, nekavējoties apturiet ierīces lietošanu un sazinieties ar ārstu par šiem simptomiem.

### ⚠ BRĪDINĀJUMS

Ilgstoša preces lietošana var radīt ievainojumus vai pasliktināt jau esošos. Ilgstoši lietojot jebkuru instrumentu, pārliecinieties, ka tiek veikti regulāri pārtraukumi.

## PAZĪSTIET SAVU IERĪCI

Skatīt 139. lappusi

1. Aizmugurējais rokturis
2. Mēlītes bloķēšanas poga
3. Mēlīte
4. Zāles šķēru asmens
5. Zāles šķēru asmens maksts
6. Krūmu šķēru asmens
7. Krūmu šķēru asmens maksts
8. Akumulators
9. Akumulatora stiprinājuma poga
10. Lādētājs
11. Asmens fiksācijas poga
12. Asmeņu statņi
13. Gumijas pieslēguma ligzdas aizsegs



## UZ PRECES ESOŠIE SIMBOLI



Drošības brīdinājums



Pirms preces darbināšanas izlasiet un izprotiet visus norādījumus, ievērojiet visus brīdinājumus un drošības norādījumus.



Valkājiet acu aizsargaprīkojumu.



Lietojiet dzirdes aizsargus.



Nēsājiet neslidošus, smagam darbam piemērotus aizsargcimdus.



Nepakļaujiet lielum vai mitrumu apstākļiem.



Lai novērstu smagu traumu iegūšanu, nepieskarieties zāga asmeņiem.



Sargieties no izmestiem vai lidojošiem priekšmetiem. Rūpējieties, lai visi tuvumā stāvošie, īpaši bērni un dzīvnieki atrastos vismaz 15 m attālumā no darba zonas.



Uzmanību! Grieznes turpina darboties pēc dzinēja izslēgšanas.



Izlietotie elektroprodukti nedrīkst tikt izmesti kopā ar mājtsaimniecības atkritumiem. Lūdzu, nododiet tos attiecīgajās atkārtošanas vietās. Sazinieties ar savu vietējo varas pārstāvi vai izplatītāju, lai noskaidrotu, kur iespējama atkārtota pārstrāde.



Darbarīks atbilst visām normām ES valstī, kurā tas ir iegādāts.



EurAsian atbilstības marķējums.



Ukrainas apstiprinājuma zīme



Uz šīs etiķetes norādītais garantētā skaņas spiediena jauda ir 86 dB.

Lai izskaidrotu risku, kas saistīti ar izstrādājumu, līmeni, paredzēti šādi norādījuma vārdi un jēdzieni.

### ⚠ BĪSTAMI

Norāda draudošo bīstamo situāciju, kas, ja no tās neizvairās, var novest pie nāves vai nopietnas traumas.

### ⚠ BRĪDINĀJUMS

Norāda potenciālo bīstamo situāciju, kas, ja no tās neizvairās, var novest pie nāves vai nopietnas traumas.

### ⚠ UZMANĪBU

Norāda potenciālo bīstamo situāciju, kas, ja no tās neizvairās, var novest pie nelielas vai vidējas traumas.

### UZMANĪBU

Bez drošības brīdinājuma apzīmējuma Norāda uz situāciju, kas var radīt īpašuma bojājumus.

## SIMBOLI ŠAJĀ ROKASGRĀMATĀ



Atsevišķi nopērkamās daļas vai piederumi



Piezīme



Brīdinājums



Projektuojant belaides žolės/krūmokšnių žirkles, didžiausias prioritetas suteiktas saugai, eksploatacinėms savybėms ir patikimumui.

## NAUDOJIMO PASKIRTIS

Belaidės žolės žirkklės / genėtuvas skirtas naudoti tik lauke ir tinkamai ventiliuojamoje vietoje.

Gaminys skirtas namų savininkams arba buitiniam naudojimui.

Naudojant su žirklių priedu šis įrenginys skirtas tik lengviems žolės ir piktžolių kirpimo darbams.

Naudojant su genėtuvo priedu, šiuo įrenginiu galima atlikti lengvus krūmokšnių, krūmų ir gyvatvorių genėjimo darbus. Nenaudokite kitais tikslais.

## BENDRIEJI SAUGOS ĮSPĖJIMAI

### ⚠ ĮSPĖJIMAS

**Perskaitykite visus saugos įspėjimus ir visą instrukciją.** Įspėjimų ir instrukcijų nesilaikymas gali sukelti elektros smūgį, gaisrą ir (ar) rimtus sužeidimus.

Saugokite šiuos įspėjimus ir nurodymus, kad galėtumėte vadovautis jais vėliau.

Įspėjimuose nurodytas terminas „elektrinis įrankis“ reiškia elektrinio įrankio naudojimą, jį prijungus prie maitinimo tinklo (laidu) arba maitinimo baterijos (belaidis).

### Darbo aplinka

- Darbo vieta turi būti švari ir gerai apšviesta. Nelaimingi atsitikimai įvyksta netvarkingose ar tamsiose vietose.
- Nenaudokite elektrinių įrankių, jei šalia yra degios ir sprogti galinčios medžiagos (skysčiai, dujos ar dulksės). Elektriniai įrankiai kibirkščiuoja ir gali uždegti dulkes arba garus.
- Neleiskite vaikams ir šalia esantiems asmenims būti šalia įjungto elektrinio įrankio. Išsiblaškę galite prarasti kontrolę.

### Elektros sauga

- Elektrinio įrankio kištukai turi atitikti kištukinį lizdą. Niekada nekeiskite kištuko. Su įžemintais (įžeminimo) elektriniais įrankiais niekada nenaudokite kištukų adapterių. Nepakeisti kištukai ir atitinkantys lizdai sumažina elektros smūgio pavojų.
- Stenkitės nesiliesti prie įžemintų ar įžeminimo paviršių (vamzdžių, radiatorių, grandinių / viryklių, šaldytuvų). Įžeminus savo kūną, padidės elektros smūgio pavojus.
- Gaminio negalima naudoti ar laikyti lietuje ar drėgnėje. Dėl vandens, patekusio į elektrinį įrankį, padidėja elektros smūgio pavojus.
- Laidą naudokite pagal jo paskirtį. Niekada jo nenaudokite elektriniams įrankiams pernešti, tempti ar išjungti. Saugokite maitinimo laidą nuo karščio, tepalų, aštrių kampų ir judančių detalių. Pažeisti ar supainioti laidai padidina elektros smūgio

galimybę.

- Dirbdami su elektriniu įrankiu lauke, naudokite tik lauke naudoti skirtus ilginamuosius laidus. Naudojant tinkamą laukui laidą sumažinama elektros smūgio tikimybė.
- Jei būtina naudotis elektriniu įrankiu drėgnomis oro sąlygomis, naudokite likutinės srovės prietaisą (RCD). Naudojant RCD sumažinama elektros smūgio tikimybė.

### Asmeninė sauga

- Būkite budrūs ir stebėkite, ką darote, bei sąmoningai naudokite elektrinį įrankį. Nesinaudokite įrankiu, kai esate pavargę ar paveikti narkotinių medžiagų, alkoholio ar vaistų. Neatidumas darbo su elektriniu įrankiu metu gali sukelti sunkius sužeidimus.
- Naudokite asmeninės apsaugos įrangą. Visada dėvėkite akių apsaugos priemones. Atitinkamomis sąlygomis naudojamos apsaugos priemonės, pvz. dulkių kaukė, neslystantys apsauginiai batai, šalmas ar apsaugos ausims, sumažina asmeninių sužeidimų pavojų.
- Saugokitės, kad įrankis netyčia neįsijungtų. Įsitikinkite, kad prieš prijungiant įrankį prie maitinimo šaltinio ir (ar) baterijos, pakeliant ar nešant įrankį, jungiklis yra išjungtas. Nešant elektrinį įrankį, uždėjęs pirštą ant jungiklio, arba elektrinį įrankį, kurio jungiklis yra įjungtoje padėtyje, gali įvykti nelaimingas atsitikimas.
- Prieš įjungiant elektrinį įrankį, išimkite derinimo raktą ar veržliaraktį. Jei juos paliksite pridėtus prie besisukančios įrankio dalies, galite susižaloti.
- Nepersitempkite. Visada tvirtai stovėkite ir išlaikykite pusiausvyrą. Tai padės geriau kontroliuoti įrankį netikėtų situacijų metu.
- Dėvėkite tik darbui tinkamus drabužius. Nedėvėkite laisvų, neprigulusių drabužių ir juvelyrinių dirbinių. Saugokite plaukus, drabužius ir pirštines toliau nuo judančių dalių. Laisvi drabužiai, papuošalai ar ilgi plaukai gali įsipainioti į judančias įrankio dalis.
- Jei įrengti dulkių ištraukimo ir surinkimo įrengimai, įsitikinkite, kad jie prijungti ir naudojami tinkamai. Su dulkelėmis susijusiam pavojui sumažinti naudokite dulkių surinkimą.

### Elektrinio įrankio naudojimas ir priežiūra

- Nenaudokite per didelės jėgos. Pritaikykite tinkamą elektrinį įrankį atliekamam darbui. Naudodami pagal paskirtį pagamintą tinkamą elektrinį įrankį, darba atliksite geriau ir saugiau.
- Nenaudokite elektrinio įrankio, jei jungiklio negalite įjungti ir išjungti. Jungikliu nevaldomas elektrinis įrankis yra pavojingas ir jį reikia taisyti.
- Prieš sureguliuojant įrankį, keičiant atsargines dalis ar sandėliavimą atjunkite laidą nuo maitinimo šaltinio ir (ar) akumuliatoriaus. Tokios saugumo priemonės apsaugos nuo atsitiktinio įrankio įsijungimo.
- Laikykite elektrinį įrankį vaikams neprieinamoje vietoje ir neleiskite juo naudotis asmenims, kurie nemoka juo naudotis. Neįgudusiems asmenims





elektriniai įrankiai yra pavojingi.

- **Pržiūrėkite elektrinius įrankius. Patikrinkite judančių detalių nesutapimus, sukibimą, ar sumontuotos detalės nesulūžusios bei kitą būklę, kuri gali turėti neigiamos įtakos įrankio veikimui. Jei įrankis sugedęs, prieš naudojimą jį reikia suremontuoti.** Nemažai nelaimingų atsitikimų įvyksta dėl netinkamai prižiūrinamų elektrinių įrankių.
- **Pjovimo įrankius reikia pastoviai galąsti ir valyti.** Tinkamai prižiūrėti aštriais ašmenimis pjovimo įrankiai mažiau stringa ir juos lengviau valdyti.
- **Naudokite elektrinius įrankius, atsargines detales, gražtus ir t. t., pagal šias instrukcijas ir atsižvelgdami į darbo sąlygas bei turimą atlikti darbą.** Naudokite elektrinį įrankį tik pagal tiesioginę paskirtį, kitaip sukelsite pavojingą situaciją.

#### Įrankio su akumuliatoriumi naudojimas ir priežiūra

- **Pakartotinai kraukite prietaisą tik naudodami gamintojo nurodytą kroviklį.** Vieno tipo akumuliatoriui tinkantis įkroviklis gali kelti gaisro pavojų kitokiam akumuliatoriui.
- **Elektrinius įrankius naudokite tik su jiems skirtais baterijų paketais.** Naudojant kitokius akumuliatorius, galima susižeisti ar sukelti gaisrą.
- **Kai akumuliatorius nenaudojamas, jį laikykite toliau nuo kitų metalinių daiktų, pavyzdžiui, sąvaržėlių, monetų, raktų, vinių, varžtų ar kitų mažų metalinių daiktų, kurie vieną gnybtą gali sujungti su kitu.** Sutrupinus vieną akumuliatoriaus gnybtą su kitu, galima nusideginti arba sukelti gaisrą.
- **Netinkamomis sąlygomis iš akumuliatoriaus gali ištekti skystis - nelieskite jo. Jei atsitiktinai prisilietėte - nuplaukite vandeniu. Jei skystis pateko į akis, papildomai kreipkitės į gydytoją.** Iš akumuliatoriaus ištekėjęs skystis gali nudeginti ar sukelti sudirginimus.

#### Techninis aptarnavimas

- **Elektrinį įrankį turi remontuoti tik kvalifikuoti darbuotojai, kurie naudoja identiškas atsargines dalis.** Tai užtikrina elektrinio įrankio saugumą.

### ŽOLĖS ŽIRKLIŲ / GENĖTUVO NAUDOJIMO SAUGOS ĮSPĖJIMAI

#### ĮSPĖJIMAS

Išjungus variklį, pjovimo įtaisas kurį laiką toliau veikia.

#### APMOKYMAS

- Atidžiai perskaitykite instrukcijas. Gerai žinoti apie valdikius ir tinkamą krūmapjovės naudojimą.
- Jokiū būdu neleiskite naudoti krūmapjovės vaikams, asmenims su fiziniais, jutiminiais ar psichiniais sutrikimais, ar žmonėms, neturintiems reikiamos patirties ir žinių, arba nesusipažinusiems su šiomis instrukcijomis. Vietos įstatymai gali apriboti įrengimo operatoriaus amžių.

- Turėkite omenyje, kad operatorius arba vartotojas yra atsakingas už nelaimingus atsitikimus arba kitiems asmenims ar jų turimam sukeltą pavojų.

#### PARUOŠIMAS

- Prietaisą patikrinkite prieš naudojimą. Pakeiskite pažeistas dalis.
- Prieš naudodami gyvatvorės apkarpyimo mašinėlę išvalykite vietą, kurioje dirbsite. Pašalinkite visus objektus, kaip laidai, apšvietimai, vielos ar virvės, kurie gali atsitrekti į pjovimo įtaisą ar juose įsipainioti.
- Niekada nenaudokite šio prietaiso šalia esant kitiems asmenims, gyvūnams, o ypač vaikams.
- Įskilusias, nulaužtas ar pažeistas pjovimo geležtes ar kitas tokias dalis pakeiskite. Įsitinkinkite, kad pjovimo įtaisas tinkamai sumontuotas ir patikimai pritvirtintas. Priešingu atveju operatorius ir šalia esantys asmenys gali būti sužaloti bei prietaisas gali būti pažeistas.
- Jei jungikliu prietaiso negalite tinkamai įjungti ir išjungti, prietaiso nenaudokite. Jungikliu nevaldomas bet koks prietaisas yra pavojingas ir jį reikia taisyti.
- Prieš įjungdami visada tikrinkite, ar nuėmėte raktus ir reguliavimo veržliarakčius nuo įrenginio.

#### EKSPLOATAVIMAS

- Kad kiltų mažesnis sužeidimo pavojus, naudodami įrenginį visada užsidėkite apsauginius akinius, avėkite apsauginius batus ir vilkėkite tinkamus drabužius.
- Dėvėkite tik darbui tinkamus drabužius. Nevilkėkite palaidų drabužių ir nusiimkite papuošalus; juos gali pagriebti judančios dalys. Dirbant lauke rekomenduojama mėvėti pirštines, avėti tinkamus batus ir vilkėti ilgas kelnes.
- Stengtis nenaudoti krūmapjovės blogomis oro sąlygomis, ypač, kai yra žaibavimo pavojus.
- Įjungti variklį leidžiama tik patraukus rankas ir kojas nuo pjovimo įtaiso.
- Saugokitės, kad pjovimo įtaisas nesužeistų kojų ir rankų.
- Visada stebėkite aplinką ir būkite pasiruošę visiems galimiems pavojams, kurių galite neišgirsti dėl prietaiso burzgimo.
- Niekada nebandykite naudoti nesurinkto gaminio arba atlikę neleistinus pakeitimus.

#### KRŪMAPJOVĖS SAUGOS PERSPĖJIMAI

- **Laikykites toliau nuo pjoviklio ašmenų. Kai geležtės juda, pjaunamos medienos ar tos medienos, kurią laikote ir ketinate pjauti, nebandykite pašalinti. Prieš šalindami įstrigusias medžiagas patikrinkite, ar jungiklis yra išjungtas.** Naudojant krūmapjovę, dėl menkiausio neatidumo, galima sunkiai susižeisti.
- **Neškite gyvatvorės apkarpyimo mašinėlę už rankenos ir išjungta geležte. Įrankio transportavimo ar saugojimo metu visada uždėkite apsauginį dangtį.** Tinkama gyvatvorės apkarpyimo mašinėlės priežiūra sumažina sužeidimų nuo pjovimo geležtės pavojų.
- **Elektrinį įrankį laikykite tik už izoliuotų laikymo**

EN
FR
DE
ES
IT
NL
PL
PT
DA
SV
FI
NO
RU
LT
ET
HR
SL
SK
BG
UK
TR





**paviršių, nes pjovimo geležtė gali susiliesti su paslėptais laidais ar savo paties laidu.** Pjovimo geležtės, prisilietę prie laido, prijungto prie maitinimo šaltinio, gali aktyvuoti metalines elektrinio įrankio detales ir sukelti operatoriui elektros smūgį.

- **Laidą laikykite toliau nuo pjovimo zonos.** Naudojant krūmaplojovę, laidas gali pasislėpti krūmokšniuose ir jį gali netyčia nukirsti geležtė.
- Reikia patikrinti, ar gyvatvorėje nėra pašalinių objektų, pavyzdžiui, vielinių aptvėrimų.

## PAPILDOMI SAUGOS ĮSPĖJIMAI

- Kad išvengtumėte netikėto paleidimo, nenešiotkite įrenginio uždėję pirštą ant paleidiklio.
- Vilkėkite ilgas kelnes iš sunkios medžiagos, avėkite tinkamus batus ir mūvėkite prigludusias pirštines. Neleidžiama vilkėti trumpių kelnių ir avėti sandalų ar būti basiems.
- Prieš įdėdami akumuliatorių bloką įsitikinkite, kad jungiklis yra išjungimo padėtyje. Įdedant akumuliatorių paketą į įrenginį, kai jungiklis yra įjungimo padėtyje, padidėja nelaimingų atsitikimų pavojus.
- Dirbkite gerai apšviestoje aplinkoje. Naudokite šį gaminį dienos šviesoje ar esant geram dirbtiniam apšvietimui.
- Visada tvirtai stovėkite ir išlaikykite pusiausvyrą. Nepersitempkite. Persitempę galite prarasti pusiausvyrą. Nuolat atkreipkite dėmesį į stabilų stovėseną nuolaidžiose vietose. Visada eikite, niekada nebėkite.
- Nenaudokite per didelės jėgos. Prietaisą naudodami pagal pagaminimą tinkamą greitį, darbą atlikite geriau ir saugiau.
- Prieš įjungdami įrenginį įsitikinkite, kad pjovimo įtaisas nieko neliečia. Jei pjovimo įtaisas atsitrenkia į kliūtį arba aplink jį apsvynioja pašalinės medžiagos, nedelsdami išjunkite įrenginį, išimkite akumuliatorių bloką ir tikrinkite, ar nebuvo padaryta žalos. Įrankio nenaudokite, jei jo detalės yra atsilaisvinusios ar pažeistos.
- Tikrinkite, ar dalys nesugadintos, ar neišsilygiavo arba nestringa judančiosios dalys ir ar nėra jokių kitų problemų, galinčių trukdyti darbui. Prieš toliau naudodami įrenginį reikia atidžiai patikrinti kitas sugadintas dalis ir įsitikinti, kad įrenginys veiks tinkamai ir atliks numatytas funkcijas. Visas sugadintas dalis reikia tinkamai remontuoti arba pakeisti įgaliotajame priežiūros centre.
- Kad išvengtumėte pavojų, kylančių palietus judančias dalis, būtinai išjunkite įrenginį, išimkite akumuliatorių bloką, įsitikinkite, kad visos judančios dalys sustojo, ir palaukite, kol įrenginys atvės, prieš atlikdami toliau nurodytus veiksmus:
  - palikdami prietaisą be priežiūros;
  - prieš išvalant užsikūšusias atliekas
  - prieš tikrindami ar valydami prietaisą arba prieš pradėdami jį pjauti žolę;
  - tikrindami įrenginį jam atsitrenkus į kliūtį
  - Prietaisui pradėjus neįprastai vibruoti
- Rankas laikykite toliau nuo geležčių. Kai geležtės juda, pjaunamos medienos ar tos medienos, kurią laikote ir ketinate pjauti, nebandykite pašalinti. Prieš šalindami medžiagas nuo pjovimo įtaiso būtinai išimkite

akumuliatorių bloką ir paleiskite paleidiklį. Įrankį laikydami ar pakeldami nesuimkite už neapsaugotų pjovimo geležčių ar pjovimo briaunų.

- Rankas, veidą ir kojas laikykite saugiu atstumu nuo judančių dalių. Nelieskite ir nebandykite sustabdyti judančių pjovimo įtaiso geležčių.
- Jei kurį laiką nedirbsite arba pereidami iš vienos darbų vietos į kitą būtinai išjunkite variklį.
- Nuvalykite nuo įrenginio žolės nuopjovas ir kitus nešvarumus. Jie gali įstrigti pjovimo geležtėse.
- Kai gaminio nenaudojate, visada pritvirtinkite geležtės apsauginį gaubtą.
- Negalima mašinos panardinti ar aplieti vandeniu ar kitokiu skysčiu. Rankenas reikia visada sausai nuvalyti, kad ant jų nebūtų atliekų.
- Gabenimas ir laikymas
- Niekada nenaudokite šio prietaiso, jei pažeisti jo apsauginiai gaubtai ar skydeliai, nenaudokite be apsauginių įtaisų.
- Atsitikus nelaimingam atsitikimui arba sugedus, nedelsdami išjunkite ir išimkite akumuliatorių bloką. Nenaudokite įrenginio tol, kol jis nebus išsamiai patikrintas įgaliotos techninės priežiūros centre.
- Prieš transportuodami arba sandėliuodami įrenginį būtinai uždėkite geležtės įmautę.
- Prieš sandėliuodami įrenginį kruopščiai jį nuvalykite. Laikykite įrenginį sausoje, gerai ventiliuojamoje ir vaikams nepasiekiamoje vietoje. Nelaikykite jo arti nuo tokių koroziją sukeliančių reagentų kaip cheminės sodininkystės medžiagos arba druskos, naudojamos prieš apledėjimą.
- Akumuliatorių blokus reikia laikyti ir įkrauti vėsioje vietoje. Jei temperatūra yra aukštesnė arba žemesnė už įprastą kambario temperatūrą, sumažės akumuliatorių tinkamumo naudoti laikas.
- Niekada nesandėliuokite išsikrovusių akumuliatorių blokų. Palaukite, kol akumuliatorių blokas atvės, ir nedelsdami įkraukite.
- Paruošiant gabenimui, gaminį reikia pritvirtinti, kad nejudėtų ir nenukrsitų, nes priešingu atveju jis gali sužaloti žmones arba sugesti pats.

## LİČIO BATERIJŲ TRANSPORTAVIMAS

Akumuliatorių gabenkite pagal vietinius ir šalies reikalavimus bei nuostatas.

Akumulatorius gabenant trečiajai šaliai būtina laikytis visų specialių reikalavimų, nurodytų pakuotėse ir etiketėse. Užtikrinkite, kad gabenimo metu nei vienas akumulatorius nesiliestų su kitais akumulatoriais arba laidžiosiomis medžiagomis – apsauginius jungiamuosius elementus uždenkite izoliacinėmis nelaidžiomis movomis arba juosta. Įskilusių ir tekančių akumuliatorių negabenkite. Dėl tolesnių patarimų kreipkitės į transporto įmonę.



## PRIEŽIŪRA

**⚠️ ĮSPĖJIMAS**

Keitimui naudokite tik originalias gamintojo atsargines dalis. Neoriginalios dalys gali būti sužeidimų ir įrenginio blogo veikimo priežastis, ir dėl to gali būti anuluotas garantinis pažymėjimas.

**⚠️ ĮSPĖJIMAS**

Aptarnavimą atlikti būtina itin atidžiai, todėl rekomenduojame, kad techninę apžiūrą vykdytų kvalifikuotas specialistas. Jei reikia atlikti techninio aptarnavimo darbus, nugabenkite gaminį į įgaliotą techninio aptarnavimo centrą. Atlikdami prietaiso techninę priežiūrą, keitimui naudokite tik originalias, prietaiso gamintojo atsargines dalis.

- Dirbdami su pjovimo įtaisu mėvėkite pirštines.
- Rūpestingai prižiūrėkite prietaisą. Pjovimo įtaiso ašmenys turi būti aštrūs ir švarūs, taip užtikrinsite didžiausią efektyvumą ir sumažinsite pavojų susižeisti. Laikykitės tepimo ir papildomų detalių keitimo instrukcijų. Rankenas reikia visada sausai nuvalyti, kad jos nebūtų suteptos alyva ir riebalais.
- Prieš atlikdami bet kokius techninės priežiūros ar valymo darbus, išjunkite įrenginį ir išimkite akumuliatorių paketą.
- Po kiekvieno panaudojimo nuvalykite įtaiso korpusą ir rankenas minkšta sausa servetėle.
- Po kiekvieno panaudojimo nuvalykite sąnašas nuo geležčių standžiu šepčiu, po to rūpestingai ištepkite nuo rūdijimo apsaugančiu tepalu ir tik tada uždėkite geležčių apsauginį įrenginį. Gamintojas pataria naudoti purškiamąjį nuo rūdijimo apsaugantį tepalą, kad tolygiai pasiskirstytų ant geležčių bei būtų mažesnis pavojus susižeisti prie jų prisilietus. Informacijos apie tinkamą purškiamąjį tepalą kreipkitės į vietinį įgaliotą techninio aptarnavimo centrą.
- Valydami plastikines detales, nenaudokite tirpiklių. Komeraciniai tirpikliai lengvai pažeidžia daugelį plastikinių dalių paviršių ir gali jas apgadinti. Valydami purvą, dulkes, tepalus, alyvas ir t. t., naudokite švarias šluostes.
- Visada patikrinkite, ar ventiliavimo angos nėra užsikūlusios atliekomis.
- Geležtes reguliariai patikrinkite, ar jos neapgadintos ir nenusidėvėję.
- Visada naudokite gamintojo nurodytas atsargines geležtes.
- Kad dirbti būtų lengviau, o geležtė tarnautų ilgiau, tepkite pjovimo įtaiso geležtes prieš kiekvieną naudojimą ir po jo. Prieš tepdami išimkite akumuliatorių bloką ir padėkite pjovimo įtaiso geležtes ant lygaus pagrindo. Užpilkite lengvo mašininio tepalo išilgai viršutinių geležtės briaunų. Netepkite veikiančio įrenginio.

## ŠALUTINIAI PAVOJAI

Net naudojant gaminį pagal nurodymus, neįmanoma visiškai atmesti visų pavojaus veiksnių. Gali kilti toliau nurodyti pavojai, todėl operatorius turi būti itin dėmesingas, kad išvengtų šių dalykų:

- Vibracijos sukeltas sužalojimas.
  - Laikyti gaminį už tam skirtų rankenų ir roboti darbo laiką bei buvimą sveikatai žalingoje aplinkoje.
- Klausos pakenkimas dėl buvimo triukšme.
  - Dėvėkite akių apsaugą ir ribokite poveikio trukmę.
- sužeidimai prisilietus prie geležčių
  - Geležčių negalima apsaugoti genint. Laikykite geležtę atokiai nuo savęs ir kitų asmenų. Kai gaminio nenaudojate, visada pritvirtinkite geležtės apsauginį gaubtą.

## RIZIKOS MAŽINIMAS

Turime pranešimų, kad vibracija nuo ranka laikomų įrankių kai kuriems asmenims gali turėti neigiamos įtakos vystantis Raynaud sindromui. Šios ligos požymiai yra pirštų dilgčiojimas, nutirpimas ir pabalimas, paprastai pasireiškiantis nuo šalčio. Šie simptomai vystosi dėl paveldimų veiksnių, nesisaugant nuo šalčio ir drėgmės, dėl mitybos, rūkymo ir darbo praktikos. Operatorius gali imtis šių priemonių, kurios gali sumažinti vibracijos poveikį:

- Apsirenkite kuo šilčiau šaltu oru. Naudojant gaminį, reikia mėvėti pirštines, kad plaštakos ir riešai neatšaltų. Turime pranešimų, kad Raynaud sindromas labiausiai vystosi nuo šalto oro sąlygų.
- po darbo kiekvieną kartą pasportuokite, kad pagerėtų kraujotaka;
- dažnai darykite darbo pertraukas. Atribokite darbo laikotarpį per dieną.
- Jei jums pasireiškia kokie nors šios būklės simptomai, nedelsdami nutraukite darbą ir kreipkitės į gydytoją.

**⚠️ ĮSPĖJIMAS**

Ilgiau naudojant, įrankis kelia sužeidimų pavojų ir apsunkina darbą. Ilgiau naudojant įrankius, reikia reguliariai daryti pertraukas.

## PAŽINKITE SAVO GRANDININĮ PJŪKLĄ

- Žr. 139 psl.
1. Galinė rankena
  2. Perjungiklio užrakinimo mygtukas
  3. Perjungiklis
  4. Žolės žirklių geležtė
  5. Žolės žirklių geležtės įmautė
  6. Genėtuvo geležtė
  7. Genėtuvo geležtės įmautė
  8. Baterija
  9. Baterijos užšovo mygtukas
  10. Įkroviklis
  11. Geležtės tvirtinimo rankenėlė
  12. Geležtės statramsčiai
  13. Guminis lizdo angos dangtelis

## SIMBOLIAI ANT ĮRENGINIO



Pranešimas apie saugumą



Prieš naudodami įrenginį, atidžiai perskaitykite instrukcijas, laikykitės įspėjimų ir saugos nurodymų.



Dėvėkite apsauginius akinius.



Dėvėkite ausų apsaugos priemones.



Mūvėkite neslystančias, tvirtas apsaugines pirštines.



Nenaudoti lyjant ar esant drėgnoms sąlygoms.



Kad sunkiai nesusižeistumėte, nelieskite pjovimo geležčių.



Saugokitės išmetamų arba skrendančių objektų. Visi pašaliniai asmenys, ypač vaikai ir naminiai gyvūnai, turi būti ne arčiau kaip 15 m nuo darbo vietos.



Atsargiai! Išjungus variklį, pjovimo įtaisas kurį laiką toliau veikia.



Elektrinių produktų atliekos neturi būti metamos kartu su namų ūkio atliekomis. Prašome perdirbkite jas ten, kur yra tokios perdirbimo bazės. Dėl perdirbimo patarimo kreipkitės į savo vietinę savivaldybę ar pardavėją.



Šis prietaisas atitinka visas reglamentuotas normas ES šalies, kur jis buvo nupirktas.



„EurAsian“ atitikties ženklas.



Ukrainos atitikties ženklas



Garantuotas garso galios lygis rodomas šioje etiketėje yra 86 dB.

Šie signaliniai žodžiai yra skirti nurodyti su prietaiso naudojimu susijusio pavojaus lygį.

### ⚠ PAVOJUS

Reiškia ypač pavojingą padėtį, kurios neišvengus bus patirti sunkūs ar net mirtini sužeidimai.

### ⚠ ĮSPĖJIMAS

Reiškia potencialiai pavojingą situaciją, kurios neišvengus galimi sunkūs ar net mirtini sužeidimai.

### ⚠ ATSARGIAI

Reiškia potencialiai pavojingą situaciją, kurios neišvengus galimi lengvi ar vidutinio sunkumo sužeidimai.

### ATSARGIAI

Be įspėjamųjų simbolių

Reiškia nuosavybės žalos tikimybę.

## SIMBOLIAI VADOVE



Detalės arba priedai yra parduodami atskirai



Pastaba



Įspėjimas!



Teie akutoitega murukäärde/mini-hekikäärde konstrueerimisel on peaeesmärgiks olnud toote ohutus, tootlikkus ja töökindlus.

## OTSTARBEKOHANE KASUTAMINE

Akutoitega muru- ja pöösakäärde tohib kasutada ainult vabas õhus hea ventilatsiooniga kohas.

Seade on ette nähtud kasutamiseks kodumajapidamises.

Toode koos murupügamisteraga on mõeldud muru ja umbrohu kergeks pügamiseks.

Toode koos pöösaloiketeraga on mõeldud puhmaste, hekkide ja pöösaste kergeks lõikamiseks.

Ärge kasutage ühekski muuks otstarbeks.

## OHUTUSE ÜLDESKIRJAD

### HOIATUS

**Lugege kõik ohuhoiatused ja juhised läbi.** Hoiatuste ja juhiste eiramisel on oht saada elektrilööki või raskeid kehavigastusi ning/või põhjustada tulekahju.

**Hoidke kõik hoiatused ja juhised tulevikus vaatamiseks alles.**

Hoiatustes kasutatav termin „elektritööriist“ tähendab mehaanilist tööriista, mis saab toidet elektrivõrgust (juhtmega) või akust (ilma juhtmata).

### Töökoht

- **Hoidke töökoht puhas ja hästi valgustatud.** Korrastamata ja pimedas kohas töötamisel võivad juhtuda õnnetused.
- **Ärge kasutage elektritööriistu plahvatusohtlikes keskkondades, näiteks kergestisüttivate vedelike ja gaaside läheduses ega tolmuses kohas.** Elektritööriistad tekitavad sademeid, mis võivad tolmu või auru süüdata.
- **Elektritööriistaga töötamisel hoidke lapsed ja kõrvalised isikud eemal.** Tähelepanu hajumise korral võib teil kontroll kaduda.

### Elektriohutus

- **Elektritööriistade pistikud peavad pistikupesasa sobima.** Ärge püüdke pistiku konstruktsiooni mingil moel muuta. Ärge ühendage maanduskontaktiga (kordusmaandusega) elektritööriistu elektrivõrku läbi vahepistmike. Pistiku ja pistikupesa konstruktsiooni muutmise korral tekib elektrilöögi oht.
- **Hoiduge kehalisest kontaktist maandatud pindadega, näiteks torud, radiaatorid, elektripliidid ja külmikud.** Kehaosade maandamisele suureneb elektrilöögi saamise oht.
- **Ärge jätke kultivaatorit vihma kätte või märga kohta.** Vee sattumisel elektrilise tööriista sisse suureneb elektrilöögi saamise oht.
- **Ärge kasutage toitejuhet mittesihipäraselt.** Ärge kasutage toitejuhet tööriista kandmiseks, vedamiseks või pistikupesast väljatõmbamiseks. Hoidke toitejuhe eemal kuumusest, õlist, teravatest

servadest ja liikuvatest osadest. Vigastatud või keerdsu toitekaablid suurendavad elektrilöögi ohtu.

- **Väljas töötamisel kasutage välistingimustes kasutamiseks sobivaid pikendusjuhtmeid.** Välistingimustele sobiva pikendusjuhtme kasutamine vähendab elektrilöögi ohtu.
- **Kui elektritööriistaga töötamine niisketes oludes on vältimatu, siis kasutage rikkevoolu-kaitselülitiga (RCD) kaitsitud vooluvõrku.** RCD kasutamine vähendab elektrilöögi ohtu.

### Isikukaits

- **Mehaanilise tööriistaga töötamisel jälgige tööpiirkonda ja kasutage sealjuures tervet mõistust.** Ärge kasutage tööriista siis, kui te olete väsinud, uimastite, alkoholi või ravimite mõju all. Hetkeline tähelepanu hajumine tööriista kasutamise ajal võib põhjustada raske kehavigastuse.
- **Kasutage isikukaitselahendusi. Kandke alati silmakaitsevahendeid.** Kui tööolud seda nõuavad, tuleb kasutada isikukaitselahendusi, näiteks tolmu maski, libisemiskindlaid turvajalatsid, kiivrit ja kuulmiskaitsevahendeid, mis kehavigastuste riski vähendavad.
- **Vältige tahtmatu käivitumist. Enne toitejuhtme või aku ühendamist, tööriista käte võtmist või teisaldamist veenduge, et tööriista lüliti on välja lülitatud.** Õnnetuste vältimiseks ärge hoidke tööriista kandmise ajal sõrme lülitusnupul ega ühendage tööriista toitevõrku siis, kui lüliti on sisse lülitatud.
- **Enne tööriista sisselülitamist eemaldage sellelt reguleerivõti või mutrivõti.** Elektritööriista külge jäetud reguleerivõti või mutrivõti võivad põhjustada raske kehavigastuse.
- **Ärge kummardage. Hoidke end pidevalt jalgadel ja tasakaalus.** Siis on teil ootamatu olukorra tekkimisel tööriista üle parem kontroll.
- **Kandke tööks sobivat riietust.** Ärge kandke lõtvu riideid ja ehteid. Hoidke juuksed, riietusesemed ja töökindad liikuvatest osadest eemal. Lõdvad riietusesemed, ehted ja pikad juuksed võivad haakuda liikuvate osade külge.
- **Kui tööriistal tuleb kasutada tolmu eraldamis- või kogumisseadisi, siis veenduge, et need on ühendatud ja nõuetekohases kasutuses.** Tolmukoguri kasutamisega saab vähendada tolmu seotud ohtusid.

### Elektritööriista kasutamine ja korrrashoid

- **Ärge kasutage töötamisel liigset jõudu.** Kasutage tööks sobivat elektritööriista. Õigesti valitud elektritööriist töötab ettenähtud võimsuspiirkonnas paremini ja ohutumalt.
- **Ärge kasutage elektritööriista, kui lüliti ei lülita seda sisse ja välja.** Lülitiga lülitamatu tööriista kasutamine on ohtlik ja see tuleb lasta ära remontida.
- **Enne tööriista reguleerimist, tarvikute vahetamist või hoiustamist võtke toitejuhe pistikupesast välja või eemaldage aku.** Need ennetavad ohutusmeetmed vähendavad tööriista tahtmatu käivitumise riski.





- Hoidke kasutuses mitteolevaid elektritööriistu lastele kättesaamatus kohas ja ärge lubage elektritööriista mitte tundvaid või kasutusjuhendiga mitte tutvunud isikuid elektritööriista kasutada. Oskamatu kasutaja käes olev elektritööriist on ohtlik.
- Mehaaniliste elektritööriistade hooldus. Kontrollige liikuvate osade mittetsentreeritust ja kinnitumist, osade vigastusi ning tehke kindlaks muud seisundid, mis võivad mõjustada elektritööriista tööd. Kui mõni osa on vigastatud, siis laske elektritööriist enne kasutamist ära parandada. Halvasti hooldatud elektritööriistad põhjustavad palju õnnetusi.
- Hoidke lõiketerad teravad ja puhtad. Teravate lõiketeradega ja nõuetekohaselt hooldatud lõikeriistad jäävad harvemini kinni ning neid on kergem kontrolli all hoida.
- Tööriistade, tarvikute, otsakute ja muude lisaseadmete kasutamisel juhenduge nende kasutusjuhenditest, võttes arvesse tehtavat tööd ja tööolusid. Tööoperatsiooniks mitte ettenähtud tööriista kasutamine võib tekitada ohtliku olukorra.

#### Akutööriista kasutamine ja korrashoid

- Laadige akut ainult tootja poolt ettenähtud laadijaga. Akulaadaja, mis sobib ühele akupaketile võib põhjustada tulekahju, kui seda kasutada teise akupaketiga.
- Kasutage akutööriista ainult selleks ettenähtud akudega. Muude akupakettide kasutamine võib põhjustada kehavigastusi või tulekahju.
- Sel ajal kui akupakett ei ole kasutusel, hoidke seda eemal metallesemetest nagu kirjaklambrid, mündid, võtmed, naelad, kruvid ja muudest väikestest metallobjectidest, mis võivad akuklemmid lühistada. Aku klemmid lühistamine võib põhjustada põletust või tulekahju.
- Aku vale kasutamise korral võib akuvedelik välja voolata - vältige sellega kokkupuudet. Akuvedeliku nahale sattumisel peske see veega maha. Akuvedeliku silma sattumisel pöörduge arsti poole. Väljapriitsiv akuvedelik võib tekitada nahaärritust või -põletust.

#### Teenindamine

- Laske oma elektrilist tööriista hooldada väljaõppinud teenindustöötajal; remontimisel tohib kasutada ainult originaalvaruosi. See tagab elektriseadme ohutuse.

### MURU- JA PÕOSAKÄÄRIDE OHUTUSNÕUDED

#### ⚠ HOIATUS

Lõiketerad jätkavad liikumist pärast mootori väljalülitamist.

#### VÄLJAÕPE

- Lugege juhised hoolikalt läbi. Õppige tundma kõiki seadme juhtseadiseid ja kasutusnõudeid.
- Ärge lubage lapsi ega piiratud füüsiliste, sensoorsete ja vaimsete võimetega inimesi ega kogemuste ja teadmisteta ning käesolevate juhistega mittetutvunud inimesi seadet kasutada. Kohalikud regulatsioonid võivad seada kasutaja vanusele piiranguid.
- Pidage meeles, et operaator või kasutaja on vastutav õnnetuste või ohuolukordade eest, mis võivad puudutada teisi inimesi või nende vara.

#### ETTEVALMISTUSTOIMINGUD

- Kontrollige seade enne kasutamist üle. Asendage kõik vigastatud koostisosad.
- Iga kord enne kasutamist puhastage tööpiirkond takistustest. Eemaldage kõik esemed, nagu traadid, valgustid, juhtmed või nõõrid, mis võivad välja lennata või takerduda lõiketera külge.
- Ärge kasutage seadet, kui läheduses on teisi inimesi, eriti lapsi või lemmikloomi.
- Asendage lõiketerad ja muud osad, kui need on pragunenud, kildunud või vigastatud. Veenduge, et lõiketerad on korralikult paigaldatud ja turvaliselt kinnitatud. Muidu võib kasutaja või kõrvalseisjad saada kehavigastusi ja ka seade vigastada saada.
- Ärge kasutage seadet, kui lüliti ei lülita seda sisse ja välja. Lülitiga lülitamatu seadme kasutamine on ohtlik ja see tuleb lasta ära remontida.
- Muutke harjumuseks kontrollida enne toote sisselülitamist, kas reguleerimis- ja mutrivõtmed on seadme küljest eemaldatud.

#### KASUTAMINE

- Vigastuste ohu vähendamiseks toote kasutamisel kandke alati kaitseprille, jalanõusid ja rõivaid.
- Kandke tööks sobivat riietust. Ärge kandke laiu riideid ega ehteid; need võivad sattuda liikuvate osade vahele. Väljas töötades soovitame kasutada kindaid, vastupidavaid jalanõusid ja pikki pükse.
- Vältige seadme kasutamist halva ilmaga, eriti siis kui on äikese oht.
- Lülitage mootor sisse ainult siis, kui käed ja jalad on lõiketeradest eemal.
- Olge ettevaatlik, et lõiketerad ei vigastaks jalgu ja käsi.
- Jälgige töötamise ajal ümbrust ja olge valvas võimalike ohtude suhtes, mille ilmnenemist te ei pruugi mootorimüra tõttu kuulda.
- Ärge kunagi proovige kasutada puudulikku või lubamatult muudetud toodet.

#### HEKITRIMMERI OHUTUSESKIRJAD

- Hoidke kõik kehaosad lõiketerast eemal. Ärge üritage eemaldada ega hoida lõigatavat materjali sel ajal kui lõiketerad liiguvad. Kui oks jääb terade vahele kinni, siis lülitage trimmer välja. Hetkeline tähelepanu hajumine seadme kasutamise ajal võib põhjustada raske kehavigastuse.
- Teisaldamise ajaks lülitage hekitrimmer välja







ja kandke seda käepidemest. Hekitrimmeri teiseldamisel või hoiulepanekul paigaldage latile alati kaitsekate. Hekitrimmeri õige käsitsemise vähendab lõiketeradega seotud kehavigastusi.

- Hoidke tööriista kinni ainult isoleeritud haardepindadest, sest lõiketera võib sattuda kokkupuutesse varjatud juhtmega või tööriista enda toitejuhtmega. Kui tööriist satub kontakti pinge all olevate juhtmetega, jäävad tööriista isoleerimata metalloosad pingele alla ja kasutaja võib saada elektrilöögi.
- Hoidke toitejuhe lõikamispiirkonnast eemal. Töötamise ajal võib toitejuhe olla põõsaste varjus ja seetõttu võite sellesse juhuslikult sisse lõigata.
- Kontrollige, et hekis ei ole võõrkehased, näiteks traatvõrku.

## TÄIENDAVALD OHUTUSJUHISED

- Ootamatu käivitamise vältimiseks ärge kunagi hoidke toote kandmise ajal sõrme lülilil.
- Kandke tihedast riidest pikki pükse, vastupidavaid jalanõusid ja paraja suurusega kindaid. Ärge kandke lühikesi pükse ja sandaale ega olge paljajalu.
- Enne aku paigaldamist kontrollige, et lüliti on asendis OFF (väljas). Kui lüliti on aku paigaldamise ajal asendis ON (sees), kutsub see esile õnnetusi.
- Ärge kasutage seadet halva valgustatuse korral. Kasutage toodet päevavalguse või hea tehisvalguse korral.
- Hoidke kindlat jalgade asendit ja tasakaalu. Ärge kummardage. Kummardamine võib põhjustada tasakaalu kadumist. Kallakul töötamisel tagage endale kindel jalgealune. Töötamisel kõndige, ärge kunagi jookske.
- Ärge kasutage töötamisel liigset jõudu. Õigesti valitud tööriist töötab paremini ja ohutumalt selles võimsuspiirkonnas, milleks on see ette nähtud.
- Enne toote käivitamist kontrollige, et lõiketerad ei puutuks millegagi kokku. Kui lõiketera puutub kokku võõrkehadega või need kiiluvad lõiketera vahele kinni, peatage toode otsekohe, eemaldage aku ja kontrollige, kas esineb kahjustusi. Ärge kasutage seadet siis, kui selle osad on lõtvunud või vigastatud.
- Kontrollige, kas osadel esineb kahjustusi, kas liikuvad osad on kohakuti ja terved, ning teisi tööd mõjutada võivaid tegureid. Enne toote edasist kasutamist peab hoolikalt kontrollima teisi kahjustatud osasid, et kindlaks määrata, kas toode töötab korralikult ja kas seda saab kasutada ettenähtud otstarbel. Vigastatud osad peab laskma korralikult parandada või asendada volitatud hooldustöökojas.
- Et vähendada liikuvate osadega seotud vigastuste ohtu, peatage alati toode, eemaldage aku, veenduge, et kõik liikuvad osad on peatunud ja laske tootel maha jahtuda enne:
  - kui jätate seadme järelevalveta,
  - enne ummistumise kõrvaldamist
  - enne kontrollimist, puhastamist või teenindamist,
  - võõrkehaga kokkupuutunud toote kontrollimist
  - kui muruniiduk hakkab ebanormaalselt vibreerima

- Hoidke käed lõiketeradest eemal. Ärge üritage eemaldada ega hoida lõigatavat materjali sel ajal kui lõiketerad liiguvad. Kontrollige, et lõiketera vahele kinnikiilunud materjali eemaldamisel on aku eemaldatud ja päästik vabastatud. Ärge võtke kinni lõiketeradest või lõikeservadest kui seadme üles tõstate või sellest kinni hoiate.
- Hoidke käed, nägu ja jalad liikuvatest osadest ohutus kauguses. Ärge puudutage lõiketerasid ega püüdke neid peatada liikumise ajal.
- Peatage alati mootor, kui tekib viivitus või liigute ühest töökohast teise.
- Hoidke toode puhas rohujaätmetest ja muudest materjalidest. Need võivad jääda lõiketerade külge kinni.
- Kui seade ei ole kasutuses, siis paigaldage sellele terakaitse.
- Ärge laske seadmele sattuda vett ja muid vedelikke ega nende pritsmeid. Hoidke seadme käepidemed kuivad, puhtad ja prahivabad.
- Transportimine ja hoiustamine
  - Ärge kasutage seadet, mille kaitسد või katted on vigastatud või ilma kaitseesadisteta.
  - Õnnetuse või rikke korral lülitage tööriist otsekohe välja ja eemaldage akud. Ärge kasutage tööriista enne, kui see on volitatud parandustöökojas põhjalikult kontrollitud.
  - Toote transportimisel või hoiustamisel paigaldage alati terale kate.
  - Enne hoiustamist puhastage toode põhjalikult ära. Hoiustage toodet kuivas ja hea ventilatsiooniga kohas, mis ei ole lastele juurdepääsetav. Hoidke kettsaagi eemal söövitavatest ainetest nagu aiakemikaalid ja jäätõrjevahendid.
  - Hoiustage ja laadige akut jahedas kohas. Normaalsest kõrgem või madalam toatemperatuur lühendab aku eluiga.
  - Ärge kunagi hoiustage akut tühjana. Oodake, kuni aku maha jahtub ja laadige otsekohe.
  - Vedamise ajal tõkestage kultivaator liikuma hakkamise ja alla kukkumise vastu, et vältida kehavigastusi ja masinaosade kahjustamist.

## LIITUMAKUDE TEISALDAMINE

Akude transportimisel juhinduge kasutuskohas kehtivatest riiklikest määrustest ja eeskirjadest.

Akude transportimisel allettevõtjate poolt järgige kõiki pakkimise ja tähistamise erinõudeid. Veenduge, et akud ei satu kokkupuutes teiste akude ega voolu juhtivate materjalidega, kui avatud klemmid on transportimise ajal kaitstud voolu mittejuhtivate isoleerorkide või teibiga. Ärge transportige pragunenud või lekkivaid akusid. Küsige lisateavet transportitevõtelt.



## HOOLDUS

### ⚠ HOIATUS

Kasutage ainult tootja originaalvaruosi, tarvikuid ja tööorganeid. Selle nõude eiramine võib põhjustada, kehavigastuse, tootluse languse ja teile antud garantii tühistamise.

### ⚠ HOIATUS

Hooldamine nõuab ülimalt korrashoidu ja teadmisi ning tuleks teostada ainult kvalifitseeritud hooldustehnikute poolt. Hoolduseks andke seade volitatud hoolduskeskusesse. Muruniiduki hooldamisel kasutage ainult tootja originaalvaruosi.

- Lõiketerade hooldamisel kasutage kindaid.
- Olge seadme kasutamisel ettevaatlik. Parima soorituse ja vigastuste riski vähendamiseks hoidke lõikeserv terav ja puhas. Järgige määrimise ja tarvikute juhiseid. Hoidke tööriista käepidemed kuivana, puhtana ja ärge laske neile sattuda õli või määret.
- Enne hooldus- ja puhastustööd lülitage tööriist välja ja eemaldage aku.
- Pärast iga kasutuskorda pühkige seadme korpus ja käepidemed pehme kuiva lapiga puhtaks.
- Pärast iga kasutuskorda pühkige praht teradelt ära tugeva harjaga ja kandke seejärel neile roostetõrjemääret, enne kui tera kaitse uuesti kohale panete. Tootja soovitab kasutada roostekaitsevahendit ja määrada tera ühtlase aerosoolvahendi kihiga, et alandada riski töötajatele kokkupuutel lõiketeradega. Teavet sellise aerosoolvahendi kohta saate oma kohalikest hoolduskeskustest
- Vältige plastosade puhastamisel lahustite kasutamist. Enamik plastikuud on erinevat tüüpi poes müüdavate lahuste kahjustuste suhtes altid ja võivad saada neid kasutades kahjustatud. Mustusest, tolmust, õlist, määrest jne puhastamiseks kasutage puha riidelappi.
- Veenduge, et ventilatsioonivad on kogu aeg prahist puhtad.
- Kontrollige perioodiliselt lõiketerade vigastumist ja kulumist.
- Kasutage alati tootja poolt ettenähtud asendusosi.
- Õlitage lõiketerasid iga kord enne ja pärast kasutamist, et töötamine oleks kergem ja lõiketera eluiga pikem. Enne õlitamist eemaldage aku ja asetage lõiketerad tasasele pinnale. Õlitage ülemine tera piki lõikeserva vedela õliga. Ärge pange õli, kui toode töötab.

## JÄÄKRISKID

Isegi siis, kui kultivaatorit kasutatakse kirjeldatud viisil, ei ole võimalik kõrvaldada kõiki jääkriskide mõjureid. Töötamise ajal võivad tekkida järgmised ohud, millele operاتور peab pöörama erilist tähelepanu.

- Vibratsioonist põhjustatud kehavigastus.
  - Hoidke kultivaatorit kinni selleks ette nähtud

käepidemetest ja piirake tööaega ning vibratsiooniga kokkupuudet.

- Müraga kokkupuutumine võib kuulmist kahjustada.
  - Kandke kuulmiskaitsevahendeid ja piirake müraga kokkupuudet.
- Lõiketerade kokkupuutest tingitud kehavigastus
  - Lõiketerade eest ei saa töötamise ajal kaitsta. Hoidke lõiketera oma ja teiste kehast eemal. Kui seade ei ole kasutusel, siis paigaldage sellele terakaitse.

## RISKI ALANDAMINE

Teadaovalt võib käsitööriistade kasutamine põhjustada mõnedel inimestel seisundit, mida nimetatakse Raynaud' sündroomiks. Sümptomidena võib ilmuda sõrmede tuimus ja valkjaks muutumine, mis tavaliselt ilmneb külmas töötamisel. Nende sümptomite puhul tuleb hoiduda külmast ja niiskusest, diidist ning suitsetamisest ja kasutada õigeid tööõtteid. Vibratsiooni mõju vähendamiseks tuleb rakendada järgmisi abinõusid.

- Külma ilmaga hoidke oma keha soe. Kandke kindaid, et hoida oma käed ja randmed soojad. Uuringud näitavad, et Raynaud' s Syndrome ilmneb põhiliselt külma ilmaga.
- Pärast külmas töötamist tehke harjutusi, et verevarustust kiirendada.
- Tehke regulaarselt töovaheaegsid. Piirake tööperioodi pikkust.
- Kui ilmnevad haigustunnused, lõpetage kohe töö ja pöörduge arsti poole.

### ⚠ HOIATUS

Seadme pikaajalisel kasutamisel võite saada kehavigastusi ja varasemad vigastused võivad süveneda. Seadme kasutamisel pika aja jooksul tuleb teha korralisi vaheaegsid.

## ÕPPIGE OMA TOODET TUNDMA

Vt leht 139.

1. Tagumine käepide
2. Päästiku lukustusnupp
3. Päästik
4. Murupügamistera
5. Murupügamistera kate
6. Põõsalõiketera
7. Põõsalõiketera kate
8. Aku paketiaga
9. Aku riivi nupp
10. Laadaja
11. Tera lukustusnupp
12. Lõiketera sõrmed
13. Kummist sokliava kate

## MASINAL OLEVAD SÜMBOLID



Ohutusalaane teave



Enne seadmega töö alustamist lugege kõik juhised hoolikalt läbi ja pidage kinni hoiatustest ja ohutusega seotud juhistest.



Kandke silmakaitsevahendeid.



Kandke kuulmiskaitsevahendeid.



Kandke libisemiskindlaid, tugevdatud kaitsekindlaid.



Ärge jätke vihma kätte või kasutage niiskes kohas.



Ärge puudutage löiketera, et mitte rasket vigastust saada.



Hoiduge ülespaisatud ja lendavate esemete eest. Hoidke kõik kõrvalseisjad, eriti lapsed ja lemmikloomad tööalalt vähemalt 15 meetri kaugusele.



Ettevaatust! Lõiketerad jätkavad liikumist pärast mootori väljalülitamist.



Mittekasutatavaid elektritooteid ei tohi visata olmejäätmete hulka. Vaid tuleb viia vastavasse kogumispunkti. Vajadusel küsige sellekohast nõu oma edasimüüjalt või vastavalt kohaliku omavalitsuse institutsioonilt.



Vastab kõigile eeskirjadele EL-i liikmesriigis, kus toode on ostetud.



Euraasia vastavusmärk.



Ukraina vastavusmargis



Etiketil näidatud tagatud helivõimsusetase on 86 dB.

Järgnevad märguandesõnad ja tähendused on mõeldud selle toote kasutamise seotud riskitasemete kirjeldamiseks.

#### **⚠ OHT.**

Viitab kohe tekkivale ohtlikule olukorrale, mis, kui ei väldita, lõpeb surma või tõsise vigastusega.

#### **⚠ HOIATUST**

Viitab võimalikule ohtlikule olukorrale, mis, kui ei väldita, võib lõppeda surma või tõsise vigastusega.

#### **⚠ ETTEVAATUST**

Viitab võimalikule ohtlikule olukorrale, mis, kui ei väldita, võib lõppeda väiksemate või keskmiste vigastustega.

#### **ETTEVAATUST**

Ilma hoiatussümbolita

Osutab olukorrale, mis võib põhjustada varakahju.

### KASUTUSJUHENDI SÜMBOLID



Eraldi ostetavad osad või tarvikud



Märkus



Hoiatus



Maksimalni prioriteti u sigurnosti, performansama i pouzdanosti dati su u razvoju sjekač trave/žbunja.

### NAMJENA

Bežične škare za travu/rezač ukrasnog grmlja namijenjen je samo za uporabu na otvorenom prostoru u dobro provjetrenom području.

Ovaj proizvod namijenjen je za kućnu ili upotrebu u domaćinstvu.

Kada se koristi s nastavkom škara, proizvod je namijenjen manjem podrezivanju trave i korova.

Kada se koristi s nastavkom rezača ukrasnog grmlja, proizvod je namijenjen manjem podrezivanju ukrasnih grmova, živice i šikare.

Nemojte koristiti oštricu u nikakvu drugu svrhu.

### OPĆA SIGURNOSNA PRAVILA

#### ⚠ UPOZORENJE

**Pročitajte sva sigurnosna upozorenja i sve upute.** Nepridržavanje upozorenja i uputa može izazvati strujni udar, požar i/ili ozbiljne ozljede.

**Sačuvajte ova upozorenja i upute kako biste ih naknadno mogli konzultirati.**

Pojam „električni alat“ u upozorenjima odnosi se na vaš glavni alat (napajanje preko kabela) ili električni alat koji se napaja preko baterije (bez kabela).

#### Radna okolina

- **Držite radni prostor čistim i dobro osvijetljenim.** Zatrpani i neosvijetljeni radni prostori izazivaju nezgode.
- **Nemojte rukovati električnim alatima u eksplozivnim atmosferama u kojima su prisutne zapaljive tekućine, plinovi ili prašina.** Električni alati stvaraju iskre koje mogu zapaliti prašinu ili pare.
- **Tijekom rada s električnim alatom držite podalje djecu i promatrače.** Ometanje može dovesti do toga da izgubite kontrolu.

#### Električna sigurnost

- **Utikači električnog alata moraju odgovarati utičnici.** Nikada nemojte modificirati utikače ni na koji način. Nemojte koristiti nikakve adapter utikače s uzemljenim električnim alatima. Originalni utikači i odgovarajuće utičnice smanjuju opasnost od strujnog udara.
- **Izbjegavajte kontakt tijela s uzemljenim površinama poput cijevi, radijatora, štednjaka i hladnjaka.** Ako je vaše tijelo uzemljeno, povećava se opasnost od strujnog udara.
- **Nemojte proizvod izlagati kiši ili vlažnim uvjetima.** Ulazak vode u električni alat povećava opasnost od strujnog udara.
- **Nemojte zlorabiti kabel.** Nikada nemojte koristiti kabel za nošenje, povlačenje ili isključivanje električnog alata. Držite kabel podalje od topline, ulja, oštirih rubova ili pokretnih dijelova uređaja.

Oštećeni ili zapleteni kabeli povećavaju opasnost od strujnog udara.

- **Kada radite s električnim alatom na otvorenom, koristite produžni kabel prikladan za rad na otvorenom.** Korištenje kabela prikladnog za rad na otvorenom smanjuje opasnost od strujnog udara.
- **Ako se ne može izbjeći rad s električnim alatom u vlažnoj lokaciji koristite FID sklopku (RCD uređaj) za zaštitu napajanja.** Korištenje RCD uređaja smanjuje opasnost od električnog udara.

#### Osobna sigurnost

- **Budite na oprezu, gledajte to što radite i pri radu s električnim alatom koristite zdrav razum.** Nemojte koristiti električni alat kad ste umorni ili pod utjecajem droge, alkohola ili lijekova. Trenutak nepažnje pri radu s električnim alatima može dovesti do teških osobnih ozljeda.
- **Koristite osobnu zaštitnu opremu. Uvijek nosite zaštitna sredstva za oči.** Zaštitna oprema poput maske za prašinu, zaštitna obuća sa zaštitom od klizanja, kaciga ili zaštita za uši koja se koristi u odgovarajućim uvjetima smanjuje osobne ozljede.
- **Spriječite slučajno pokretanje. Osigurajte da je prije priključivanja na izvor napajanja i/ili baterije, podizanja ili nošenja alata, sklopka u položaju OFF (isključeno).** Nošenje električnog alata s vašim prstom na sklopki ili uključivanje električnih alata sa sklopkom postavljenom na položaj on (uključeno) dovodi do nezgoda.
- **Prije uključivanja električnog alata uklonite sve klinove za podešavanje i ključeve.** Ključ ili klin ostavljen priključen na rotirajućem dijelu električnog alata može dovesti do osobne ozljede.
- **Ne sežite preko određene granice. Cijelo vrijeme držite pravilno uporište i ravnotežu.** Ovo u neočekivanim situacijama omogućuje bolju kontrolu nad električnim alatom.
- **Pravilno se odjenite. Nemojte nositi široku odjeću ili nakit. Kosu, odjeću i rukavice držite podalje od pokretnih dijelova.** Široka odjeća, nakit ili dugačka kosa mogu biti zahvaćeni u pokretne dijelove alata.
- **Ako su uređaji opremljeni s priključkom aparata za odvajanje i prikupljanje prašine, osigurajte da su oni priključeni i pravilno korišteni.** Korištenje uređaja za sakupljanje prašine smanjuje opasnosti vezane uz prašinu.

#### Korištenje i briga o električnom alatu

- **Nemojte proizvod koristiti iznad njegovih mogućnosti. Za vašu primjenu koristite točan električni alat.** Točan električni alat bolje će i sigurnije uraditi posao u odnosu za što je namijenjen.
- **Nemojte koristiti električni alat ako ga sklopka pravilno ne uključuje i isključuje.** Svaki električni alat koje se ne može kontrolirati pomoću sklopke je opasan i mora se popraviti.
- **Prije nego što izvršite bilo kakva podešavanja, zamijenite dodatni pribor ili pohranite električne alate, odspojite utikač iz izvora napajanja i/ili bateriju iz električnog alata.** Ovakve preventivne





sigurnosne mjere smanjuju opasnost od slučajnog pokretanja električnog alata.

- **Električne alate pohranite u stanju mirovanja izvan dohvata djece i ne dopustite rad s električnim alatom osobama koje nisu upoznate s električnim alatom ili ovim uputama.** Električni alati su opasni u rukama nestručnih korisnika.
- **Održavanje električnih alata.** Provjerite radi pogrešnog poravnanja ili savijanja pokretnih dijelova, puknuća dijelova i drugih uvjeta koji mogu utjecati na rad električnog alata. Ako je oštećen, električni alat prije korištenja popravite. Većina nezgoda uzrokovano je od strane električnih alata koji su slabo održavani.
- **Rezne alate držite oštrim i čistim.** Pravilno održavanjem reznim alatima s oštrim rubovima za rezanje, manja je vjerojatnost zahvaćanja i lakše se kontroliraju.
- **Koristite električni alat, pribor i dijelove alata itd., u skladu s ovim uputama i uzevši u obzir radne uvjete i rad koji treba izvršiti.** Korištenje električnog alata za radove drugačije od njegove namjene može dovesti do opasne situacije.

#### Korištenje i briga o AKU alatu

- **Punite samo s punjačem navedenim od proizvođača.** Punjač koji je prikladan za jednu vrstu baterija može dovesti do opasnosti od požara kada se koristi s drugom baterijom.
- **Koristite AKU alate samo s posebno naznačenim baterijama.** Korištenje bilo kojih drugih baterija dovodi do opasnosti od ozljeda i požara.
- **Kada se baterija ne koristi držite je dalje od drugih metalnih predmeta kao što su spajalice za papir, kovanice, ključevi, čavli, vijci ili drugi mali metalni predmeti koji mogu spojiti jedan pol na drugi.** Kratki spoj polova baterije može izazvati opekotine ili požar.
- **Pod uvjetima loma može doći do izbacivanja tekućine iz baterije, izbjegavajte kontakt.** Ako dođe do nehotičnog kontakta, isperite to mjesto s vodom. Ako tekućina dospje u oči, dodatno potražite liječničku pomoć. Tekućina koja istječe iz baterije može dovesti do iritacije ili opekotina.

#### Održavanje

- **Neka vaš električni alat servisira kvalificirana osoba za popravak koristeći samo identične zamjenske dijelove.** Ovo će osigurati da se održi sigurnost električnog alata.

### SIGURNOSNA UPOZORENJA KOJA SE ODOSE NA ŠKARE ZA TRAVU/REZAČ UKRASNOG GRMLJA

#### ⚠ UPOZORENJE

Sredstvo za rezanje nastavlja s radom nakon isključivanja motora.

#### OBUKA

- Pažljivo pročitajte upute. Upoznajte se s upravljačkim elementima i pravilnim korištenjem proizvoda.

- Nikada ne dopustite djeci, osobe smanjenih tjelesnih, osjetljivih ili mentalnih mogućnosti ili osoba koje ne raspolažu iskustvom ili osobama koj nisu upoznate s ovim uputama da koriste proizvod. Moguće je da lokalni propisi propisuju starosnu dob rukovatelja.
- Imajte na umu da je rukovatelj ili korisnik odgovoran za nezgode ili opasnosti koje nastanu drugim osobama ili njihovoj imovini.

#### PRIPREMA

- Prije korištenja provjerite proizvod. Zamijenite sve oštećene dijelove.
- Prije svkog korištenje očistite područje. Uklonite sve predmete poput kabela, žarulja, žica ili konopa koji mogu biti odbačeni ili se mogu zaglaviti u nožu rezača.
- Nikada ne radite s uređajem dok su u blizini ljudi, osobito djeca ili kućni ljubimci.
- Zamijenite noževe rezača ili sve dijelove koji su puknuti, zarezani ili oštećeni. Provjerite je li sredstvo za rezanje pravilno postavljeno i sigurno pričvršćeno. Nepoštivanje ove upute dovodi do osobnih ozljeda operatera i promatrača, ako i oštećenja jedinice.
- Nemojte koristiti proizvod ako ga sklopka pravilno ne uključuje ili isključuje. Proizvod koje se ne može kontrolirati pomoću sklopke je opasan i mora se popraviti.
- Steknite naviku i provjeravajte jesu li tipke i ključevi za podešavanje izvađeni iz proizvoda prije nego što ga uključite.

#### UPORABA

- Kako biste smanjili rizik od ozljede, prilikom korištenja proizvoda uvijek nosite potpunu zaštitu za oči, obuću i odjeću.
- Pravilno se odjenite. Ne nosite viseću odjeću ili nakit; mogu ih uhvatiti pokretni dijelovi. Prilikom rada na otvorenom preporučuje se korištenje rukavica, otporne obuće i dugih hlača.
- Izbjegavajte korištenje proizvoda u lošim vremenskim uvjetima, posebice ako postoji opasnost od udara munje.
- Motor uključite samo onda kada su Vam ruke i stopala udaljene od sredstava za rezanje.
- Pazite da sredstva za rezanje ne ozlijede ruke i stopala.
- Uvijek imajte na umu okruženje i budite na oprezu za moguće opasnosti koje možda ne čujete zbog buke uređaja.
- Nikada nemojte pokušavati koristiti nepotpuni proizvod ili proizvod s neovlaštenim modifikacijama.

### SIGURNOSNA UPOZORENJA ZA TRIMER ZA OGRADU

- **Držite sve dijelove tijela dalje od noža rezača. Nemojte ukloniti odrezani materijal ili držati materijal za rezanje kad se oštrice pomiču. Osigurajte da je uređaj isključen kada čistite zaglavljene materijal.** Trenutak nepažnje pri radu s proizvodom može dovesti do teških osobnih ozljeda.
- **Nosite Trimer za ogradu za ručku sa zaustavljenim**





nožem rezača. Kada transportirate ili skladištite trimer za ogradu uvijek postavite pokrov reznog uređaja. Pravilno rukovanje trimenom za ogradu smanjuje mogućnost ozljeda od noževa rezača.

- **Držite električni alat za izoliranu površinu za hvatanje jer rezač može doći u kontakt sa skrivenim ožičenjem ili njegovim vlastitim kablom.** Dodirivanje „žive“ žice noževima rezača može izložiti metalne dijelove alata električnoj energiji i može dovesti do strujnog udara na operatera.
- **Držite kabl podalje od područja rezanja.** Tijekom rada kabl može biti skriven u grmlju i slučajno se može presjeći nožem.
- Provjerite ogradu za strane predmete, poput žica ograde.

#### DODATNA SIGURNOSNA UPOZORENJA

- Kako biste izbjegli slučajno pokretanje, proizvod nikada ne nosite dok vam je prst na prekidaču.
- Nosite debele, duge hlače, otpornu obuću i rukavice koje dobro prijanjaju na ruke. Nemojte nositi kratke hlače i sandale, ili hodati bosih nogu.
- Uvjerite se da je prekidač u isključenom položaju prije umetanja paketa baterije. Umetanje kompleta baterije u proizvod s pritisnutim prekidačem dovodi do nesreća.
- Nemojte raditi u slabom osvjetljenju. Koristite proizvod po dnevnom svjetlu ili pri dobroj vještačkoj rasvjeti.
- Zauzmite čvrst stav i ravnotežu. Ne sežite preko određene granice. Seznanje preko određene granice može imati za posljedicu gubitak ravnoteže. Uvijek se čvrsto uprite na kosinama. Hodajte, nemojte trčati.
- Nemojte proizvod koristiti iznad njegovih mogućnosti. Uređaj će bolje i sigurnije raditi na brzini za koju je konstruiran.
- Prije pokretanja proizvoda uvjerite se da sredstvo za rezanje ne dolazi u doticaj s ničim. Ako sredstvo za rezanje udari ili se zaplete u strano tijelo, odmah zaustavite proizvod, izvadite komplet baterije i provjerite je li došlo do oštećenja. Nemojte raditi uređajem s otpuštenim ili oštećenim dijelovima.
- Provjerite ima li oštećenih dijelova, poravnatost pokretnih dijelova i sva ostala stanja koja bi mogla utjecati na rad uređaja. Prije daljnje uporabe proizvoda, ostale dijelove koji su oštećeni trebalo bi pažljivo provjeriti kako bi se utvrdilo radi li ispravno i obavija li svoju predviđenu funkciju. Sve oštećene dijelove na propisan način treba popraviti ili zamijeniti isključivo ovlaštenu servisni centar.
- Kako biste smanjili rizik od ozljeda zbog doticanja pokretnih dijelova, uvijek zaustavite proizvod, uklonite komplet baterije te provjerite jesu li se zaustavili svi pokretni dijelovi i dozvolite da se proizvod ohladi prije:
  - kad uređaj ostavljate bez nadzora
  - prije čišćenja blokiranošću
  - prije provjere, čišćenja ili rada na uređaju
  - pregledavanja proizvoda nakon udara u strano tijelo
  - ako uređaj počne abnormalno vibrirati
- Držite ruke dalje od oštrica. Nemojte ukloniti odrezani materijal ili držati materijal za rezanje kad se oštrice pomiču. Kada čistite materijal zaglavljen u sredstvu

za rezanje uvjerite se da je komplet baterije izvađen, a prekidač nije pritisnut. Nemojte hvatati izložene oštrice za rezanje ili rubove oštrica prilikom podizanja ili držanja uređaja.

- Ruke, lice i stopala držite na sigurnoj udaljenosti od dijelova u pokretu. Nemojte doticati niti pokušavati zaustaviti noževe rezača dok se pomiču.
- Motor uvijek zaustavljajte kada je rezanje odgođeno ili dok hodate s jednog do drugog mjesta rezanja.
- Proizvod čistite od isječaka trave i ostalih materijala. Može doći do zaglavljenja u noževima rezača.
- Uvijek postavite pokrov oštrice kada se proizvod ne koristi.
- Nikada ne zalijevajte ili prskajte proizvod s vodom ili bilo kojom drugom tekućinom. Održavajte ruke suhim i čistim od ostataka.
- Prijevoz i skladištenje
- Nikada nemojte raditi s uređajem s oštećenim pokrovima ili štitnicima, ili bez sigurnosnih uređaja.
- Odmah isključite i uklonite baterijski komplet u slučaju nesreće ili slamanja. Proizvodom nemojte ponovno rukovati sve dok ga potpuno ne provjeri ovlaštenu servisni centar.
- Prilikom prevoženja ili skladištenja proizvoda uvijek koristite korice za nož.
- Proizvod temeljito očistite prije pohranjivanja. Proizvod pohranite na hladnom, suhom i dobro prozračivanom mjestu, tako da je nedostupan za djecu. Nemojte ju ostavljati u blizini korozivnih agenasa kao ni vrtnih kemijskih proizvoda i soli za odmrzavanje.
- Kompleta baterija skladištite na hladnom mjestu. Temperature iznad ili ispod normalne sobne temperature skratit će vijek baterije.
- Komplet baterije nikada nemojte skladištiti u ispražnjenom stanju. Pričekajte da se paket baterije ohladi i odmah ga napunite.
- Za prijevoz, osigurajte uređaj protiv pomicanja ili pada kako biste spriječili povrede osoba ili oštećenja na uređaju.

#### TRANSPORTIRANJE LITIJUMSKIH BATERIJA

Transportirajte bateriju u skladu s lokalnim i nacionalnim pravima i zakonima.

Slijedite sve specijalne zahtjeve na pakiranju i naljepnicama prilikom transporta baterije od treće strane. Osigurajte da baterija ne može doći u kontakt s drugim baterijama ili provodnim materijalima tijekom transporta tako da zaštitite izložene priključke s izolacijom, kapićama koje ne provode energiju ili trakom. Nemojte transportirati baterije koje su polomljene ili cure. Provjerite kod kompanije koji transportirate za daljnju pomoć.



## ODRŽAVANJE

### ⚠ UPOZORENJE

Koristite samo originalne zamjenske dijelove, dodatni pribor i priključke od proizvođača. Nepoštivanje ovih uputa može dovesti do mogućih ozljeda, loše učinkovitosti i može dovesti do poništenja jamstva.

### ⚠ UPOZORENJE

Servisiranje iziskuje krajnju pažnju i znanje i treba da ga vrši samo kvalificirani serviser. Radi servisa, donesite proizvod u ovlaštenu servisnu centar. Prilikom servisiranja, koristite samo originalne zamjenske dijelove od proizvođača.

- Prilikom održavanja sredstva za rezanje koristite rukavice
- Pažljivo održavajte proizvod. Kako biste postigli najbolji radni učinak i smanjili rizik od ozljeda, pazite na oštrinu i čistoću rezača. Slijedite upute za podmazivanje i promjenu dodatnog pribora. Održavajte ručke suhim, čistim i da na njima nema ulja i masti.
- Prije provođenja bilo kakvih radova održavanja ili čišćenja, isključite i uklonite komplet baterija.
- Nakon svakog korištenja, očistite kućište sa suhom mekom krpom.
- Nakon svakog korištenja, očistite ostatke s oštrica sa čvrstom četkom i potom pažljivo primijenite sredstvo protiv hrđe prije ponovnog postavljanja štitnika oštrice. Proizvođač preporučuje da koristite sprej protiv hrđe i sredstvo za podmazivanje ravnomjerno i smanjite opasnost od osobnih ozljeda od kontakata s oštricama. Za informacije o prikladnim proizvodima kao sprej, provjerite kod lokalnog ovlaštenog servisnog centra.
- Prilikom čišćenja plastičnih dijelova izbjegavajte koristiti kemijska sredstva. Većina plastičnih dijelova osjetljiva je na oštećenje različitim vrstama komercijalnih vrsta otapala i mogu se oštetiti njihovom uporabom. Za uklanjanje prljavštine, prašine, ulja, masnoće itd., koristite čistu krpu.
- Osigurajte da su ventilacijski otvori uvijek čisti od krhotina.
- Povremeno provjerite oštrice na oštećenja i istrošenost.
- Uvijek koristite zamjenske oštrice specificirane od strane proizvođača.
- Radi lakšeg rada i dužeg radnog vijeka noža, noževe rezača podmazujte prije i nakon svake uporabe. Prije podmazivanja izvadite komplet baterije, a noževe rezača položite na ravnu površinu. Primijenite lako strojno ulje uzduž ruba vrha noža. Ne nanosite ulje na proizvod dok radi.

### OSTALE OPASNOSTI:

Čak i kad je proizvod korišten kao što je prethodno opisano, još uvijek nije moguće potpuno isključiti ostale čimbenike opasnosti. Može doći do sljedećih opasnosti prilikom

korištenja i operater mora obratiti posebnu pozornost kako bi izbjegao sljedeće:

- Ozljede uzrokovane vibracijom.
  - Držite proizvod za označene ručke i ograničite radno vrijeme i izloženost.
- Oštećenje sluha uzrokovano izlaganjem buci.
  - Nosite zaštitu za sluh i ograničite izloženost.
- Ozljede od kontakta s pločom za rezanje
  - Oštrice se ne mogu štiti dok režu. Držite oštrice dalje od sebe i drugih. Uvijek postavite pokrov oštrice kada se proizvod ne koristi.

### SMANJENJE OPASNOSTI

Prijavljeno je da vibracije alata koje se drži u ruci kod određenih pojedinaca mogu doprinijeti stanju pod nazivom Raynaud's Syndrome. Simptomi mogu uključivati trnce, ukočenost i bjelinu prstiju, obično uočljivo po izlaganju hladnoći. Smatra se da nasljedne osobine, izlaganje hladnoći i vlazi, dijeta, pušenje i radni postupci pridonose razvoju ovih simptoma. Postoje mjere koje operater može poduzeti kako bi smanjio moguće učinke vibracije:

- Održavajte svoje tijelo toplim u hladnim vremenskim uvjetima. Kad radite s proizvodom nosite rukavice kako biste ruke i zglobove održavali toplima. Prijavljeno je da je hladnoća glavni čimbenik koji doprinosi Raynaud's Syndrome.
- Nakon svakog perioda rada vježbajte kako biste povećali cirkulaciju krvi.
- Uzimajte česte stanke u radu. Ograničite količinu izlaganja po danu.
- Ako osjetite neke od simptoma ovog stanja, odmah prekinite korištenje i obratite se svome liječniku vezano uz ove simptome.

### ⚠ UPOZORENJE

Povrede mogu biti uzrokovane ili zadobivene produljenim korištenjem alata. Kada koristite bilo koji alat dulje vremena, osigurajte da uzimate povremene stanke.

### UPOZNAJTE SVOJ PROIZVOD

*Pogledajte stranicu 139.*

1. Stražnja ručica
2. Gumb za zaključavanje sklopke za pokretanje
3. Sklopka za pokretanje
4. Nož škara za travu
5. Korice škara za travu
6. Nož rezača ukrasnog grmlja
7. Korice rezača ukrasnog grmlja
8. Baterija
9. Gumb za zasun baterije
10. Punjač
11. Gumb za pričvršćivanje noža
12. Mjesta za oštricu
13. Gumeni poklopac na ulazu utičnice

## SIMBOLI NA PROIZVODU



Sigurnosno upozorenje



Pročitajte i razumite sve upute prije rada s proizvodom, slijedite sva upozorenja i sigurnosne upute.



Nosite sredstva za zaštitu očiju.



Nosite zaštitu za sluh.



Nosite zaštitne rukavice velike debljine koje se ne klizu.



Ne izlažite kiši ili vlažnim uvjetima.



Za spreječavanje ozbiljnih ozljeda, ne dodirujte oštrice za rezanje.



Čuvajte se odbačenih ili letećih predmeta. Držite sve promatrače naročito djecu i kućne ljubimce, na udaljenosti najmanje 15 m od radnog područja.



Upozorenje! Sredstvo za rezanje nastavlja s radom nakon isključivanja motora.



Otpadni električni proizvodi ne treba da se odlažu s otpadom iz domaćinstva. Molimo da reciklirate gdje je to moguće. Potražite savjet od lokalnih vlasti ili prodavca kako reciklirati.



Ovaj alat usklađen je sa svim normama i propisima zemlje Europske unije u kojoj je kupljen.



EurAsian znak konformnosti.



Ukrajinska oznaka za sukladnost



Deklarirani zvučni tlak prikazan na ovoj naljepnici iznosi 86 dB.

Slijedeće riječi upozorenja i značenja imaju namjeru da objasne nivo rizika u vezi s ovim proizvodom.

### ⚠ OPASNOST

Ukazuje na neposrednu opasnu situaciju, koja, ukoliko se ne izbjegne, može rezultirati smrću ili opasnim povredama

### ⚠ UPOZORENJE

Ukazuje na moguću opasnu situaciju, koja, ukoliko se ne izbjegne, može rezultirati smrću ili opasnim povredama

### ⚠ UPOZORENJE

Ukazuje na moguću opasnu situaciju, koja, ukoliko se ne izbjegne, može rezultirati manjim ili blažim povredama

### UPOZORENJE

Bez sigurnosnog simbola upozorenja

Naznačuje situaciju koja može rezultirati oštećenjem imovine.

## SIMBOLI U OVOM PRIRUČNIKU



Dijelovi ili pribor prodan odvojeno



Napomena



Upozorenje





Pri snovanju vaših brezžičnih škarij za travo/grmičevje smo največ pozornosti namenili varnosti, učinkovitosti in zanesljivosti.

## NAMEN UPORABE

Brezžični strižnik za travo/žaga za grmovje sta namenjena samo uporabi na prostem na dobro prezračеноm mestu.

Izdelek je namenjen za domačo uporabo.

Kadar napravo uporabljate s priključkom strižnika, je namenjena za lahko prirezovanje trave in plevela.

Kadar napravo uporabljate s priključkom žage za grmovje, je namenjena za lahko prirezovanje grmovja, živih mej in grmovnic.

Za druge namene ga ne uporabljajte.

## SPLOŠNA VARNOSTNA OPOZORILA

### ⚠ OPOZORILO

**Preberite vsa varnostna opozorila in navodila.** Zaradi neupoštevanja opozoril in navodil lahko pride do električnega udara, požara in/ali resnih poškodb.

**Shranite vsa opozorila in navodila za kasnejšo uporabo.**

Izraz »električno orodje« v opozorilih se nanaša na orodja, ki jih poganja električni tok (žična), ali na akumulatorska (brezžična) orodja.

### Delovno območje

- **Delovno območje naj bo čisto in dobro osvetljeno.** V neurejenih in temnih območjih se rade zgodijo nesreče.
- **Električnih orodij ne uporabljajte v eksplozivnih okoljih npr. v bližini vnetljivih tekočin, plinov ali prahu.** Električna orodja proizvajajo iskre, ki lahko vnamejo prah ali hlape.
- **Med uporabo električnega orodja v bližino ne pustite otrok in drugih ljudi.** Zaradi zmanjšane koncentracije lahko izgubite nadzor.

### Električna varnost

- **Vtiči električnih orodij se morajo prilegati vtičnicam. Vtiča nikoli in na noben način ne smete spreminjati. Z ozemljenimi električnimi orodji ne uporabljajte adapterjev vtiča.** Nespremenjeni vtiči in ustrezne vtičnice zmanjšajo tveganje električnega udara.
- **Izogibajte se telesnemu stiku z ozemljenimi površinami, kot so cevi, radiatorji, kühalniki in hladilniki.** Če je vaše telo ozemljeno, obstaja povečano tveganje električnega udara.
- **Izdelka ne izpostavljajte dežju ali vlagi.** Voda v električnem orodju znatno poveča tveganje električnega udara.
- **Kabla ne uporabljajte za neustrezne namene.** Kabla nikoli ne uporabljajte za prenašanje, vleko ali izklop električnega orodja. Pazite, da kabel ne pride v stik z vročino, oljem, ostrimi robovi ali gibljivimi deli. Poškodovani ali zapleteni kabli zvišujejo tveganje električnega udara.

- **Med uporabo električnega orodja na prostem uporabljajte podaljševalni kabel, ki je primeren za zunanjo uporabo.** Uporaba kabla, primernega za zunanjo uporabo, znižuje tveganje električnega udara.
- **Če je delo z električnim orodjem v vlažnem okolju neizogibno, uporabite tokovno zaščitno stikalo (RCD).** Uporaba naprave RCD zmanjša tveganje za električni udar.

### Osebná varnost

- **Med obratovanjem bodite pozorni, spremljajte potek dela in uporabljajte zdrav razum. Električnega orodja ne uporabljajte, ko ste utrujeni oz. pod vplivom drog, alkohola ali zdravil.** Trenutek nepazljivosti med uporabo električnega orodja lahko povzroči hude telesne poškodbe.
- **Uporabljajte osebno zaščitno opremo. Vedno nosite zaščito za oči.** Če v različnih okoliščinah nosite ustrezno zaščitno opremo, kot so maska proti prahu, obutev z nedersečim podplatom, trdno pokrivalo glave in zaščita za sluh, zmanjšate možnost telesnih poškodb.
- **Preprečite neželen zagon. Preden orodje priključite na vir napajanja, vstavite baterije, ga vzamete v roke ali prenašate, se prepričajte, da je stikalo v izključenem položaju.** Prenašanje električnih orodij, tako da prst drži na stikalu, ali dovajanje napajanja električnim orodjem, pri katerih je stikalo v položaju »on (vklop)« poveča tveganje nesreč.
- **Pred vklopom električnega orodja odstranite morebitne nastavitvene ključe ali izvijače.** Izvijač ali ključ, ki ostane pritrjen na vrtljivi del električnega orodja, lahko povzroči telesne poškodbe.
- **Nesiahajte priliš daleko. Pazite, da stojite stabilno in da imate ravnotežje.** To omogoča boljši nadzor nad električnim orodjem v nepričakovanih situacijah.
- **Bodite primerno obleženi. Ne nosite ohlapnih oblačil ali nakita. Pazite, da lasje, oblačila in rokavice ne pridejo v bližino gibljivih delov.** Ohlapna oblačila, nakit ali dolgi lasje se lahko zapletejo v gibljive dele.
- **Če so naprave namenjene priključitvi na pripomočke za sesanje in zbiranje prahu, se prepričajte, da so ti priključeni in ustrezno uporabljeni.** Uporaba zbiralca prahu lahko zmanjša nevarnosti, povezane s prahom.

### Uporaba in nega električnega orodja

- **Izdelka ne preobremenjujte.** Uporabite električno orodje, ki ustreza vašemu delu. Ustrezno električno orodje bo nalogo opravilo bolje in varneje v kategoriji, za katero je bilo zasnovano.
- **Ne uporabljajte električnega orodja, če ga stikalo ne vklopi ali izklopi, kot bi bilo treba.** Kakršno koli električno orodje, ki ga ni mogoče nadzirati s stikalom, je nevarno in ga je potrebno popraviti.
- **Odklopite vtič z vira napajanja in/ali baterije, preden opravljate kakršne koli prilagoditve, menjate dodatke ali shranjujete električno orodje.** Tovrstni preventivni varnosti ukrepi zmanjšajo možnost slučajnega zagona električnega orodja.
- **Električna orodja, ki niso v uporabi, shranjujte izven dosega otrok in ne dovolite, da bi električno orodje**





uporabljale osebe, ki niso seznanjene z električnim orodjem ali s temi navodili. Električna orodja so v rokah neusposobljenih uporabnikov nevarna.

- **Električna orodja redno vzdržujte.** Preverite, če so gibljivi deli napačno poravnani ali zaskočeni, če so sestavni deli polomljeni ali če obstaja kakršno koli druge stanje, ki lahko vpliva na varno delovanje električnega orodja. Če je električno orodje poškodovano, ga pred ponovno uporabo dajte v popravilo. Številne nesreče zakrivijo neustrezno vzdrževana električna orodja.
- **Rezalna orodja naj bodo vedno nabrušena in čista.** Pravilno vzdrževana rezalna orodja z ostrimi rezili se težje zaskočijo in jih je lažje nadzirati.
- **Električno orodje, dodatke, nastavke za orodje itd. uporabljajte v skladu s temi navodili ter upoštevajte delovne pogoje in vrsto dela, ki ga boste izvajali.** Uporaba električnega orodja za namene, ki so drugačni od tistih, za katere je bilo orodje zasnovano, lahko povzroči nevarne situacije.

#### Uporaba in vzdrževanje baterijskega orodja

- **Baterijo polnite le s polnilnikom, ki ga določa proizvajalec.** Polnilnik, ki ustreza eni vrsti baterij, morda lahko povzroči požar, če z njim polnite drugo vrsto baterij.
- **Baterijska orodja uporabljajte samo s predpisano vrsto baterij.** Uporaba katerih koli drugih baterij ustvari tveganje poškodb in požara.
- **Ko baterije ne uporabljajte, pazite, da bo odmaknjena od kovinskih predmetov, kot so papirne sponke, kovanci, ključi, žebliji, vijaki ali drugih majhni kovinski predmeti, ki bi lahko povzročili povezavo med obema terminaloma.** Kratak stik zaradi povezanih terminalov baterije lahko povzroči opekline ali požar.
- **Ob zlorabi baterije lahko iz nje steče tekočina. Če se po nesreči dotaknete tekočine, mesto dotika sperite z vodo. Če pride tekočina v stik z očmi, poiščite zdravstveno pomoč.** Tekočina, ki izteče iz baterije, lahko povzroči vnetje ali opekline.

#### Servisiranje

- **Električno orodje naj servisira usposobljena oseba, uporabljati pa sme le originalne nadomestne dele.** To bo zagotovilo vzdrževanje varnostni električnega orodja.

### VARNOSTNA OPOZORILA ZA STRIŽNIK ZA TRAVOŽAGO ZA GRMOVJE

#### ⚠ OPOZORILO

Mehanizem za rezanje še naprej teče, ko izključite motor.

#### URJENJE

- Pazljivo preberite navodila. Seznanite se s krmilnimi elementi in pravilno uporabo izdelka.
- Nikoli ne dovolite otrokom, osebam z zmanjšanimi

fizičnimi, senzoričnimi ali mentalnimi zmožnostmi ali osebam s pomanjkanjem izkušenj ali znanja ter osebam, ki niso seznanjene s temi navodili, da uporabljajo izdelek. Lokalni predpisi se morda nanašajo tudi na minimalno starost upravitelja.

- Pomnite, da je upravitelj oz. uporabnik odgovoren za nesreče ali nevarnosti, ki se pripetijo ostalim ljudem ali njihovi lastnini.

#### PRIPRAVA

- Pred vsako uporabo izdelek pregledajte. Zamenjajte poškodovane dele.
- Območje rezanja pred vsako uporabo počistite. Odstranite vse predmete, ki se lahko vključijo ali zapletejo v rezilo, kot npr. kabli, svetilke, žica ali vrvice.
- Če so v bližini ljudje, še posebej otroci ali domače živali, naprave ne uporabljajte.
- Rezila ali druge dele zamenjajte, če so počeni, odkrušeni ali kako drugače poškodovani. Priprčajte se, da je mehanizem za rezanje ustrezno nameščen in zavarovan. Neupoštevanje tega lahko povzroči telesne poškodbe upravljalca ali opazovalcev ter poškodbe enote.
- Ne uporabljajte izdelka, če se ga s stikalom ne da vklopiti ali izklopiti. Izdelek, ki ga ni mogoče upravljati s stikalom, je nevaren in ga je potrebno popraviti.
- Navadite se pred vsakim vklopom naprave preveriti, ali ste ključne in izvijače za prilagajanje odstranili iz naprave.

#### DELOVANJE

- Za zmanjšanje nevarnosti telesnih poškodb ob vsaki uporabi naprave nosite polna zaščitna očala in primerno obutev ter oblačila.
- Bodite primerno oblečeni. Ne nosite ohlapnih oblačil ali nakita, saj se lahko zataknejo med premične dele naprave. Pri delu zunaj je priporočljiva uporaba rokavic, trpežne obutve in dolgih hlač.
- Izogibajte se uporabi izdelka v slabih vremenskih pogojih, še posebej, če obstaja nevarnost strele.
- Motor zaženite šele, ko so dlani in stopala varno oddaljeni od mehanizma za rezanje.
- Zaščitite se pred poškodbami stopal in dlani, ki bi jih lahko povzročil mehanizem za rezanje.
- Vedno bodite previdni in pozorni na okolico, saj zaradi hrupa stroja morda ne boste opazili morebitnih nevarnosti.
- Nikdy sa nepokušajte používat' nekompletný výrobok alebo výrobok s nepovolenými úpravami.

### OBREZOVALNIK ŽIVE MEJE – VARNOSTNA OPOZORILA

- **Delov telesa nikoli ne izpostavljajte rezilom. Ne odstranjujte zagozdenega materiala medtem, ko se rezilo premika. Priprčajte se, da je naprava izklopljena, ko odstranjujete zagozden material.** Trenutek nepazljivosti med uporabo izdelka lahko privede do resnih telesnih poškodb.
- **Obrezovalnik žive meje prenašajte tako, da ga držite za ročaj, rezilo pa naj bo pri tem ustavljeno. Med**





transportom ali skladiščenjem obrezovalnika žive meje vedno namestite pokrov naprave. Ustrezno ravnajte z obrezovalnikom žive meje zmanjša tveganje poškodb zaradi rezil.

- **Za varnost električno orodje držite le za izolirane držalne površine, saj lahko rezilo neželeno pride v stik s skrito žico ali kablom.** Če se rezila dotaknejo žice, ki je pod električno napetostjo, lahko izpostavljeni kovinski deli električnega orodja postanejo »živi« in povzročijo električni udar.
- **Pazite, da kabel ni v območju rezanja.** Med delovanjem se lahko kabel skrrije v grmičje in ga lahko po nesreči prerežete z rezilom.
- Živo mejo preverite za morebitne tujke, npr. žične ograje.

#### DODATNA VARNOSTNA OPOZORILA

- Da boste preprečili nenameren zagon naprave, je nikoli ne prenašajte s prstom na sprožilniku.
- Nosite robustne dolge hlače, trpežno obutev in tesno prilegajoče se rokavice. Ne nosite kratkih hlač in sandalov in ne rokujte z napravo bosih.
- Preden vstavite baterije, se prepričajte, da je stikalo izklopljeno. Vstavljanje baterij v napravo z vklopljenim stikalom vas izpostavlja nesrečam.
- S cepilnikom ne upravljajte pri slabi osvetljavi. Uporabljajte izdelek pri dnevni svetlobi ali dobri umetni svetlobi.
- Pazite na ravnotežje in ne pretiravajte. Nesiahajte priliš daleko. Pretiravanje lahko povzroči izgubo ravnotežja. Pri uporabi na pobočjih vedno pazite na ravnotežje. Vedno hodite, nikoli ne tecite.
- Izdelka ne preobremenjujte. Nalogo bo opravila bolje in varneje pri hitrosti, za katero je bila zasnovana.
- Pred zagonom naprave se prepričajte, da mehanizem za rezanje ne bo prišel v stik z drugimi predmeti. Če mehanizem za rezanje trči ali se zaplete v tujek, takoj ustavite napravo, odstranite baterije in preverite, ali je prišlo do poškodb. Če deli enote manjkajo ali niso dobro pritrjeni, enote ne uporabljajte.
- Preglejte napravo, ali je kak del poškodovan, preverite, ali so vrteči se deli poravnani in da niso zablokirani oziroma da niso v katerem koli drugem stanju, ki bi lahko vplivalo na delovanje naprave. Pred nadaljnjo uporabo naprave, je treba natančno pregledati druge poškodovane dele in ugotoviti, ali bodo ustrezno delovali in opravljali predvideno funkcijo. Če je katero od delov poškodovan, jih morajo ustrezno popraviti ali zamenjati v pooblaščenem servisnem centru.
- Za zmanjšanje nevarnosti poškodb zaradi premikajočih se delov enoto vselej zaustavite, odstranite baterije, se prepričajte, da so se vsi premikajoči se deli zaustavili in počakajte, da se naprava ohladi:
  - kadar izdelek pustite brez nadzora,
  - preden odstranite blokado
  - pred preverjanjem in čiščenjem izdelka ali delom na njem,
  - pregledate napravo po trku s tujkom
  - če izdelek začne nenormalno vibrirati
- Roke držite proč od rezil. Ne odstranjujte zagozdenega

materiala medtem, ko se rezilo premika. Kadar iz mehanizma za rezanje odstranjujete zagozden material, se prepričajte, da ste odstranili baterije in da je sprožilec sproščen. Ko glavno enoto dvignete ali držite, je ne zgrabite za rezila ali rezalne robove.

- Pazite, da so dlani, obraz in stopala vedno varno oddaljeni od premičnih delov. Ne dotikajte se rezil obrezovalnika, kadar se ta premikajo.
- Ko prekinete rezanje ali se premikate z enega mesta rezanja na drugo, vedno ustavite motor.
- Z naprave redno odstranjujte porezano travo in druge materiale. Lahko se zagozdijo v rezila.
- Ko izdelka ne uporabljate, na rezilo vedno namestite zaščitni pokrov.
- Izdelka nikoli ne postavite v vodo in ga ne poškopite z vodo ali katerokoli drugo tekočino. Ročaji naj bodo suhi, čisti in brez ostankov.
- Transport in shranjevanje
  - Naprave nikoli ne uporabljajte, če ima poškodovana vodila ali zaščite ali brez nameščenih varnostnih naprav.
  - V primeru nezgode ali okvare kosilnico nemudoma izklopite in odstranite akumulatorsko baterijo. Kosilnice ne uporabljajte, dokler je v celoti ne pregledajo na pooblaščenem servisu.
  - Ko napravo prevažate ali shranjujete, morate nanjo vedno namestiti tok za rezilo.
  - Pred shranjevanjem napravo temeljito očistite. Napravo shranite na suhem in dobro prezračujem mestu, ki je zunaj dosega otrok. Hranite proč od jedkih sredstev, kot so kemikalije za vrtnarjenje in soli za odmrzovanje.
  - Baterije shranjujte in polnite na hladnem mestu. Temperature, ki so višje ali nižje od običajne sobne temperature, bodo skrajšale življenjsko dobo baterije.
  - Nikoli ne shranjujte izpraznjenih baterij. Počakajte, da se baterije ohladijo in jih takoj napolnite.
  - Za transport zavarujte izdelek pred premiki ali padci, da preprečite poškodbe oseb ali izdelka.

#### PRENAŠANJE LITIJEVIH BATERIJ

Baterije prevažajte v skladu z lokalnimi in državnimi uredbami in predpisi.

Upoštevajte vse posebne zahteve glede pakiranja in označevanja, kadar prevoz opravlja tretja oseba. Zagotovite, da baterije med prevozom ne morejo priti v stik z drugimi baterijami ali prevodnimi materiali tako, da zaščitite izpostavljene konektorje z izolacijo, neprevodnimi pokrovi ali trakom. Ne prevažajte poškodovanih baterij oz. baterij, ki puščajo. Za nadaljnje informacije se obrnite na posredovalno podjetje.

#### VZDRŽEVANJE

##### OPOZORILO

Uporabljajte le originalne rezervne dele in dodatke, ki jih priporoča proizvajalec. V nasprotnem primeru naprava lahko slabo deluje, povzroči poškodbe, garancija pa ne velja več.



### OPOZORILO

Servisiranje zahteva posebno pozornost in znanje in naj jo zato opravlja samo izurjeni servisni tehnik. Za servisiranje odnesite izdelek na pooblaščen servis. Pri servisiranju uporabljajte samo originalne nadomestne dele.

- Ob vzdrževanju mehanizma za rezanje uporabljajte rokavice.
- Z izdelkom ravnajte skrbno. Poskrbite, da bodo robovi rezil ostri in čisti za najboljše delovanje naprave in za zmanjšanje tveganj poškodbe. Sledite navodilom za mazanje in menjavo dodatkov. Ročaji naj bodo suhi, čisti in brez madežev olja ali masti.
- Pred vzdrževanjem ali čiščenjem izklopite baterijski sklop in ga odstranite.
- Po vsaki uporabi z mehko suho krpo očistite trup in ročaje izdelka.
- Po vsaki uporabi s trdo krtačo z rezila odstranite ostanke, nato pa previdno nanesite mazivo proti rji, preden znova namestite zaščito rezila. Proizvajalec priporoča uporabo zaščitnega sredstva pred rjo ter spreja, ki ju enakomerno nanesete, ter s tem zmanjšate tveganje za poškodbe oseb zaradi stika z rezilom. Za informacije o ustreznem spreju se obrnite na lokalni pooblaščen servisni center.
- Pri čiščenju plastičnih delov se izogibajte toplom. Večina plastičnih delov je zelo dovzetna za poškodbe s strani različnih vrst raztopil. Za odstranjevanje prahu, umazanije, olja, masti itd. uporabite čiste krpe.
- Poskrbite, da bodo prezračevalne odprtine vedno proste.
- Redno pregledujte rezila za primer poškodb in obrabe.
- Uporabljajte le nadomestna rezila, ki jih je določil proizvajalec.
- Za lažje delovanje in daljšo življenjsko dobo rezil, pred in po vsaki uporabi naprave namažite rezila obrezovalnika z mazivom. Pred mazanjem z mazivom odstranite baterije in položite rezila obrezovalnika na ravno površino. Vzdolž robov zgornjega rezila nanesite lahko motorno olje. Ne nanašajte olja, kadar je naprava v teku.

### REZIDUALNA TVEGANJA:

Tudi če izdelek uporabljate tako, kot je predpisano, še vedno ne moremo izključiti določenih preostalih dejavnikov tveganja. Med uporabo se lahko pojavijo naslednje nevarnosti, upravljavec pa naj bo pozoren na sledeče:

- Poškodbe zaradi vibracij.
  - Izdelek držite za temu namenjene ročaje ter omejite čas uporabe in izpostavljenosti.
- Poškodbe sluha zaradi izpostavljenosti hrupu
  - Nosite zaščito za sluh in omejite izpostavljenost.
- Poškodbe zaradi stika z rezili
  - Rezila med rezanjem ne morejo biti varovana. Rezilo držite proč od vas in ostalih. Ko izdelka ne uporabljate, na rezilo vedno namestite zaščitni pokrov.

### ZMANJŠANJE TVEGANJA

Ugotovljeno je bilo, da lahko pri nekaterih posameznikih vibracije ročnih orodij povzročijo Raynaudov sindrom. Simptomi so lahko mravljinca, otrplost in pobeljeni prsti, kar je običajno vidno, kadar je oseba izpostavljena mrazu. Dedni dejavniki, izpostavljenost mrazu in vlagi, dieta, kajenje in delovne navade naj bi pripomogle k razvoju teh simptomov. Za zmanjšanje učinkov vibracij lahko upravljavec upošteva naslednja navodila:

- Poskrbite, da bo vaše telo na mrazu toplo. Med upravljanjem nosite rokavice in tako ohranjajte toploto vaših dlani in zapestij. Kot poročajo, je mraz glavni dejavnik, ki prispeva k Raynaudovemu sindromu.
- Po vsakem obdobju upravljanja naprave telovadite in tako pospešite krvni obtok.
- Pogosto si vzemite odmor. Omejite dnevno količino izpostavljenosti.
- Če zaznavate kakršne koli simptome takšnega stanja, takoj prenehajte z uporabo naprave in se o simptomih posvetujte z zdravnikom.

### OPOZORILO

Daljša uporaba orodja lahko privede do poškodb ali pa so poškodbe lahko hujše. Kadar orodje uporabljate dalj časa, si večkrat vzemite odmor.

### SPOZNAJTE SVOJ IZDELEK

Glejte stran 139

1. Zadnji ročaj
2. Gumb za zaklep sprožilca
3. Sprožilec
4. Rezilo strižnika trave
5. Tok za rezilo strižnika trave
6. Rezilo žage za grmovje
7. Tok za rezilo žage za grmovje
8. Akumulator
9. Gumb zapaha za baterijo
10. Polnilec
11. Gumb za pritrjevanje rezila
12. Nastavki za rezilo
13. Gumijast pokrov vtičnice

### SIMBOLI NA IZDELKU



Varnostni alarm



Pred uporabo izdelka morate prebrati in razumeti vsa navodila, upoštevati vsa opozorila in varnostne napotke.



Nosite zaščito za oči.



Nosite zaščito za ušesa.



Nadenite si nedrseče zaščitne rokavice za težka dela.



Ne izpostavljajte ga dežju ali vlagi.



Da bi preprečili resne poškodbe, se ne dotikajte rezil.



Pazite na izvržene ali leteče predmete. Prisotni (še posebej otroci in živali) naj bodo med obratovanjem oddaljeni vsaj 15 m od delovnega območja.



Pozor! Mehanizem za rezanje še naprej teče, ko izkjučite motor.



Odpadne električne izdelke odlagajte skupaj z ostalimi gospodinjskimi odpadki. Reciklažo opravljajte na predpisanih mestih. Za reciklažni nasvet se obrnite na lokalne oblasti.



Ustreza vsem predpisanim standardom v državi članici EU, kjer je bil kupljen izdelek.



EurAsian oznaka o skladnosti.



Ukrajinska oznaka za skladnost



Zajamčena raven zvočne moči na tej oznaki je 86 dB.

### POZOR

Označuje morebitno tvegano stanje, ki če se mu ne izognete lahko povzroči manjšo ali srednje resno poškodbo.

### POZOR

Brez simbola za varnostno opozorilo Prikazuje situacijo, ki lahko povzroči materialno škodo.

### SIMBOLI V TEM PRIROČNIKU



Deli ali dodatki so na prodaj ločeno



Opomba



Opozorilo

- EN
- FR
- DE
- ES
- IT
- NL
- PT
- DA
- SV
- FI
- NO
- RU
- PL
- CS
- HU
- RO
- LV
- LT
- ET
- HR
- SL**
- SK
- BG
- UK
- TR

Sledeče signalne besede in pomeni naj bi pojasnili ravni tveganja, ki so povezane s tem izdelkom.

### NEVARNOST

Označuje neizbežno tvegano stanje, ki če se ji ne izognete lahko povzroči smrt ali resno poškodbo.

### OPOZORILO

Označuje morebitno tvegano stanje, ki če se ji ne izognete lahko povzroči smrt ali resno poškodbo.

Pri navrhovaní týchto akumulátorových nožníc na trávu/kroviny boli najvyššou prioritou bezpečnosť, výkon a spoľahlivosť.

## ÚČEL POUŽITIA

Akumulátorové nožnice na trávu/na živý plot sú určená len na vonkajšie použitie v dobre vetranom priestore.

Tento produkt je určený na domáce použitie.

Keď sa výrobok používa s príslušenstvom na trávu, je určený na ľahké strihanie trávy a buriny.

Keď sa výrobok používa s príslušenstvom na živý plot, je určený na ľahké strihanie kríkov, živých plotov a krovín.

Nepoužívajte na žiadne iné účely.

## VŠEOBECNÉ BEZPEČNOSTNÉ VÝSTRAHY

### VAROVANIE

**Prečítajte si všetky bezpečnostné výstrahy a pokyny.** Pri nedodržaní týchto výstrah a pokynov môže dôjsť k úrazu elektrickým prúdom, požiaru a/alebo závažnému poraneniu.

**Odložte všetky upozornenia a pokyny použité v budúcnosti.**

Pojem „mechanický nástroj“ vo výstrahách sa vzťahuje na váš sieťový (káblový) mechanický nástroj alebo akumulátorový (bezkáblový) mechanický nástroj.

### Pracovný priestor

- **Pracovisko udržiavajte v čistote a správne osvetlené.** Prepchané alebo tmavé miesta zvyšujú pravdepodobnosť nehôd.
- **Nepracujte s mechanickými nástrojmi vo výbušných atmosférach, napríklad v blízkosti zápalných tekutín, plynov alebo prachu.** Mechanické nástroje vytvárajú iskry, ktoré môžu podpáliť takýto prach alebo výpary.
- **Deti a okolostojaci sa počas práce s mechanickým nástrojom nesmú zdržovať v jeho blízkosti.** Rozptýlenie môže spôsobiť, že stratíte nad nástrojom kontrolu.

### Elektrická bezpečnosť

- **Zástrčky mechanického nástroja musia zodpovedať zásuvke.** Zástrčku nikdy žiadnym spôsobom nepravujte. S uzemnenými mechanickými nástrojmi nepoužívajte rozdvojnú zásuvku. Použitím neupravených zástrčiek a zodpovedajúcich zásuviek sa znižuje riziko úrazu elektrickým prúdom.
- **Vyhýbajte sa telesnému kontaktu s uzemnenými povrchmi, napríklad rúrami, radiátormi, sporákmi a chladničkami.** Ak je vaše telo uzemnené, hrozí vysoké riziko úrazu elektrickým prúdom.
- **Nevystavujte produkt dažďu ani mokrému prostrediu.** Voda, ktorá vnikne do mechanického nástroja, zvyšuje riziko úrazu elektrickým prúdom.
- **Kábel nenamáhajte. Nikdy nepoužívajte kábel na prenášanie, ťahanie alebo odpájanie mechanického**

**nástroja. Kábel nedávajte do blízkosti tepla, oleja, ostrých okrajov alebo pohyblivých dielov.** Poškodené alebo zamotané káble zvyšujú riziko úrazu elektrickým prúdom.

- **Pri práci s mechanickým nástrojom v exteriéri používajte predlžovací kábel vhodný pre použitie v exteriéri.** S káblom vhodným pre použitie v exteriéri sa znižuje riziko úrazu elektrickým prúdom.
- **Ak je nevyhnutné pracovať s mechanickým nástrojom vo vlhkom prostredí, použite zdroj chránený zariadením pre zvyškový prúd.** Použitie zariadenia pre zvyškový prúd znižuje riziko úrazu elektrickým prúdom.

### Osobná bezpečnosť

- **Pri práci s mechanickým nástrojom buďte ostražití, sledujte, čo robíte a používajte zdravý rozum.** Nepoužívajte mechanický nástroj, keď ste unavení alebo pod vplyvom drog, alkoholu alebo liekov. Chvilka nepozornosti počas práce s mechanickými nástrojmi môže spôsobiť závažné osobné poranenie.
- **Používajte osobné ochranné pomôcky.** Vždy používajte chrániče zraku. Ochranné pomôcky ako protiprachová maska, protišmyková bezpečnostná obuv, pevný klobúk alebo chrániče sluchu, používané pre príslušné podmienky, znižujú riziko vzniku osobného poranenia.
- **Zabráňte neúmyselnému spusteniu.** Pred zapojením zariadenia do siete a/alebo k jednotke akumulátora, zdvíhaním alebo prenášaním nástroja vždy skontrolujte, či je spínač vo vypnutej polohe. Pri prenášaní mechanických nástrojov s prstom položeným na spínači alebo pripájaní mechanických nástrojov so zapnutým spínačom sa zvyšuje riziko úrazu.
- **Pred zapnutím nástroja odstráňte prípadný nastavovací klin alebo kľúč.** Keď necháte kľúč alebo klin nasadený na rotujúci diel mechanického nástroja, môže dôjsť k vážnemu poraneniu osôb.
- **Neprečeňujte sa.** Neustále zachovávajte pevnú oporu nôh a rovnováhu. Tak si zaistíte lepšiu kontrolu nad mechanickým nástrojom v nečakaných situáciách.
- **Primerane sa oblečte. Nenoste voľný odev ani šperky.** Vlasy, odev a rukavice nepribližujte k pohybujúcim sa dielom. Voľný odev, šperky či dlhé vlasy sa môžu zachytiť do pohyblivých častí.
- **Ak sú zariadenia vybavené pripojením na prostriedky na odsávanie a zber prachu, zaistite, aby boli správne pripojené a primerane sa používali.** Pri použití týchto prostriedkov sa znižujú riziká pochádzajúce z prachu.

### Používanie elektrického nástroja a starostlivosť oň

- **Na nástroj nevyvíjajte silu.** Používajte vhodný nástroj pre dané použitie. Správny mechanický nástroj splní svoju úlohu lepšie a bezpečnejšie pri rýchlosti, na ktorú je určený.
- **Mechanický nástroj nepoužívajte, ak spínač nezapína a nevypína nástroj.** Mechanický nástroj, ktorý sa nedá ovládať spínačom, je nebezpečný a musí sa dať opraviť.



- **Pred vykonaním akýchkoľvek úprav, výmene príslušenstva alebo odložením mechanického nástroja odpojte zástrčku zo sieťovej zásuvky a/alebo jednotky akumulátora.** Takéto preventívne opatrenie znižuje riziko neúmyselného spustenia mechanického nástroja.
- **Nečinné mechanické nástroje odložte mimo dosahu detí a nedovoľte používať mechanický nástroj osobám neoboznámeným s mechanickým nástrojom alebo týmito pokynmi.** Mechanické nástroje sú v rukách netrénovaných osôb nebezpečné.
- **Na mechanických nástrojoch vykonávajte údržbu. Skontrolujte, či pohyblivé diely nie sú nesprávne nastavené alebo zablokované, či niektoré diely nie sú poškodené, ako aj akýkoľvek iný stav, ktorý by mohol ovplyvniť činnosť mechanického nástroja. V prípade poškodenia nechajte mechanický nástroj pre použitím opraviť.** Veľké množstvo nehôd je spôsobených nedostatočnou údržbou mechanických nástrojov.
- **Rezacie nástroje udržiavajte ostré a v čistote.** Správne udržiavané rezacie nástroje s ostrými ostriami sa menej pravdepodobne zaseknú a ľahšie sa ovládajú.
- **Mechanický nástroj, príslušenstvo a vrtáky a pod., používajte v súlade s týmto návodom, pričom berte do úvahy pracovné podmienky a úlohu, ktorú chcete vykonať.** Pri používaní mechanického nástroja na iné ako určené činnosti môže dôjsť k nebezpečným situáciám.

#### Používanie akumulátora a starostlivosť oň

- **Nabíjajte len s použitím nabíjačky špecifikovanej výrobcom.** Nabíjačka, ktorá je vhodná pre jeden typ jednotky akumulátora, môže pri použití s inou jednotkou akumulátora spôsobiť riziko požiaru.
- **Používajte len mechanické nástroje so špecificky určenými jednotkami akumulátorov.** Pri použití iných jednotiek akumulátora vzniká riziko poranenia a požiaru.
- **Keď sa jednotka akumulátora nepoužíva, nedávajte ju do blízkosti iných kovových objektov, ako sú papierové sponky, mince, kľúče, klice, skrutky či iné malé kovové predmety, ktoré by mohli skratovať svorky.** Pri skratovaní svoriek akumulátora môže dôjsť k popáleninám alebo požiaru.
- **Za nevhodných podmienok, keď by z batérie vytekala kvapalina, predchádzajte kontaktu s ňou. Pri náhodnom kontakte opláchnite vodou. Ak tekutina zasiahne oči, dodatočne vyhľadajte lekársku pomoc.** Tekutina vytečená z akumulátora môže spôsobiť podráždenie alebo popáleniny.

#### Opravy

- **Servis mechanického nástroja prenechajte kvalifikovanému servisnému pracovníkovi s použitím len identických náhradných dielov.** Takto zachováte bezpečnosť mechanického nástroja.

### BEZPEČNOSTNÉ VÝSTRAHY PRE NOŽNICE NA TRÁVU/NA ŽIVÝ PLOT

#### VAROVANIE

Rezné zariadenia pokračuje v rotácii aj po vypnutí motora.

#### ŠKOLENIE

- Pozorne si prečítajte pokyny. Oboznámte sa s ovládacími prvkami a správnu obsluhu produktu.
- Nikdy nedovoľte deťom, osobám so zníženými fyzickými, duševnými alebo zmyslovými schopnosťami alebo s nedostatočnými skúsenosťami a znalosťami alebo osobám, ktoré nie sú oboznámené s týmto návodom, používať produkt. Miestne platné predpisy môžu obmedzovať dobu použitia kosačky.
- Užívateľ alebo obsluha stroja sú zodpovední za nehody alebo škody na majetku a za nebezpečenstvo vzniknuté pri prevádzke stroja.

#### PRÍPRAVA

- Pred použitím produkt skontrolujte. Všetky poškodené diely vymeňte.
- Pred každým použitím vyprázdňte pracovný priestor. Odstráňte všetky predmety ako káble, svetlá, drôty alebo vlákna, ktoré by sa mohli vymrštiť alebo zamotať do rezného zariadenia.
- Keď sa v blízkosti nachádzajú iné osoby, najmä deti alebo domáce zvieratá, nepoužívajte nástroj.
- Vymeňte rezné ostria či akékoľvek iné diely, pokiaľ sú prasknuté, vyštrbené alebo poškodené. Uistite sa, že rezné zariadenie je správne nainštalovaná a bezpečne pripevnené. V opačnom prípade môže dôjsť k osobnému poraneniu obsluhujúcej osoby a okolostojacich osôb, ako aj poškodeniu jednotky.
- Nepoužívajte zariadenie, ak ho spínač nezapína a nevypína. Produkt, ktorý sa nedá ovládať spínačom, je nebezpečný a musí sa dať opraviť.
- Pred vypnutím náradie skontrolujte, aby ste zistili, či sú vybraté kľúče a nastavovacie kľúče z výrobu.

#### PREVÁDZKA

- Aby ste znížili riziko poranenia, vždy noste ochranu úplnú ochranu zraku, pracovnú obuv a odev pri používaní výrobku.
- Primerane sa oblečte. Nenoste voľné oblečenie alebo šperky; mohli by sa zachytiť do pohyblivých častí. Pri práci vonku sa odporúča nosiť rukavice, pevnú obuv a dlhé nohavice.
- Nepoužívajte produkt v zlom počasí, najmä ak existuje riziko vzniku bleskov.
- Zapnite motor iba vtedy, keď sú ruky a nohy mimo rezných zariadení.
- Dávajte pozor na poranenia nôh a rúk od rezných prostriedkov.
- Vždy sa oboznámte s okolím a dávajte pozor na možné riziká, ktoré si nemusíte všimnúť kvôli hluču zo stroja.





- Ne uporabljajte nepopolnega orodja ali orodja s priključenim neodobrenim dodatkom.

## STRIHAČ ŽIVÉHO PLOTU – BEZPEČNOSTNÉ VÝSTRAHY

- **Telo udržiavajte mimo dosahu rezného ostria. Neodstraňujte odstrihnutý materiál ani nedržte strihaný materiál, keď sa ostria pohybujú. Pri čistení zaseknutého materiálu musí byť spínač vypnutý.** Chvíľa nepozornosti počas obsluhy produktu môže spôsobiť závažné osobné poranenie.
- **Strihač živého plotu prenášajte za rukoväť, pričom rezné ostrie je zastavené. Pre prenášani alebo skladovaní strihača plotu vždy nasadíte kryt strihacieho zariadenia.** Pri správnom zaobchádzaní so strihačom živého plotu sa znižuje pravdepodobnosť osobného poranenia rezným ostrím.
- **Elektrický nástroj držte len za izolované úchopné povrchy, lebo rezné ostrie sa môže dostať do kontaktu so skrytými vodičmi alebo vlastným káblom.** Pri kontakte rezných ostrí so „živým“ vodičom by mohli byť obnažené kovové diely pod prúdom a spôsobiť obsluhujúcemu úder elektrickým prúdom.
- **Kábel udržiavajte mimo dosahu strihacej časti.** Počas práce sa môže kábel skryť do raždia a náhodne prestrihnutý ostrím.
- Skontrolujte, či v živom plote nie sú cudzie predmety, napríklad drôtené ploty.

## AKUMULÁTOR – BEZPEČNOSTNÉ VÝSTRAHY

- Aby ste zabránili náhodnému spusteniu, nikdy neprenášajte výrobok s prstom na spúšťači.
- Noste pevné, dlhé nohavice, pevnú obuv a dobre padnúce rukavice. Noste krátke nohavice a sandály ani nechoďte naboso.
- Pred vkladáním sady batérií sa uistite, že je vypínač vo vypnutej polohe. Vkladanie sady batérií do výrobku pri zapnutom vypínači môže spôsobiť úraz.
- Nepracujte pri nedostatočnom osvetlení. Produkt používajte za denného svetla alebo pri dobrom umelom osvetlení.
- Udržujte bezpečný postoj a rovnováhu. Nepreceňujte sa. Preceňovanie sa môže spôsobiť stratu rovnováhy. Na svahoch vždy dbajte na pevnú oporu nôh. Choďte krokom, nikdy nebežte.
- Na nástroj nevyvíjajte silu. Svoju úlohu splní lepšie a bezpečnejšie, keď s ním budete pracovať pri rýchlosti, pre ktorú je určený.
- Pred spustením výrobku sa uistite, že rezné prostriedky sa ničoho nedotýkajú. Ak sa rezné prostriedky narazia alebo sa zamotajú do cudzích predmetov, okamžite výrobok zastavte, vyberte sadu batérií a skontrolujte, či je výrobok poškodený. Nepracujte so zariadením, ktoré má uvoľnené alebo poškodené diely.
- Skontrolujte, či nie sú poškodené súčasti, vyosené pohyblivé časti, či sa nezasekávajú pohyblivé časti a akékoľvek okolnosti, ktoré by mohli mať vplyv na prevádzku. Pred ďalším použitím výrobku je potrebné starostlivo skontrolovať poškodené diely aby sa mohlo určiť, či budú pracovať správne. Akýkoľvek poškodený

diel musí byť riadne opravený alebo vymenený v autorizovanom servisnom stredisku.

- Aby sa znížilo riziko poranenia, spojeného s pohyblivými časťami, vždy zastavte výrobok, vyberte sadu batérií, uistite sa, že sa všetky pohyblivé časti zastavili a nechajte výrobok vychladnúť, predtým ako:
  - vždy, keď sa necháte zariadenie bez dozoru,
  - pred čistením blokovania
  - pred kontrolou, čistením alebo prácou na zariadení
  - kontrole výrobku po náraze na neznámy predmet
  - ak zariadenie začne neštandardne vibrovať
- Ruky nedávajte do blízkosti ostrí. Neodstraňujte odstrihnutý materiál ani nedržte strihaný materiál, keď sa ostria pohybujú. Uistite sa, že sada batérií je vybratá a spúšťač je uvoľnený pri odstraňovaní zaseknutých častí materiálu z rezných zariadení. Pri dvíhaní alebo držaní hlavnej jednotky ju nikdy nechytajte za obnažené rezné ostria.
- Udržujte ruky, tvár a nohy v bezpečnej vzdialenosti od pohyblivých sa častí. Nedotýkajte sa a ani sa nepokúšajte zastaviť nože, keď sa pohybujú.
- vždy zastavte motor, keď je rezania prerušené alebo keď prechádzate z jedného miesta strihania na druhé.
- Udržiavajte výrobok v čistej od odrezkov trávy a ďalších materiálov. Môžu sa zaseknúť do rezných ostrí.
- Keď produkt nepoužívate, vždy nasadte kryt ostria.
- Zariadenie nikdy neponárajte, ani ho nepostriekajte vodou či inou tekutinou. Rukoväť udržiavajte suché a čisté, bez zvyškov sutiny.
- Preprava a skladovanie
- Nikdy nepracujte so zariadením, ktoré má poškodené ochranné vididlá alebo kryty alebo nemá nasadené bezpečnostné zariadenia.
- Okamžite vypnite a vyberte batérie v prípade nehody alebo poruchy. Nepoužívajte výrobok znovu, pokiaľ nebude úplne skontrolovaný autorizovaným servisným strediskom.
- Pri preprave alebo skladovaní vždy nasadte na výrobok ochranný obal na nože.
- Pred uskladnením výrobok starostlivo vyčistite. Výrobok skladujte v suchom, dobre vetranom mieste, ktoré nie je dostupné pre deti. Nariadenie neuskladňujte v blízkosti žieravých látok, ako napríklad v blízkosti záhradníckych chemických prípravkov alebo solí na zimný posyp komunikácií.
- Uskladňujte a nabíjajte batérie na chladnom mieste. Teploty nad alebo pod normálnu izbovú teplotu skracujú životnosť batérií.
- Nikdy neuskladňujte sady batérií vo vybitom stave. Počkajte, kým sada batérií vychladne a okamžite ju nabíjate.
- Pri preprave zaistite produkt pred pohybom alebo pádom, aby nedošlo k poraneniu osôb alebo poškodeniu produktu.

## PREPRAVA LÍTOVÝCH AKUMULÁTOROV

Akumulátory prepravujte v súlade s miestnymi smernicami a nariadeniami.







Keď akumulátory prepravuje tretia strana, dodržiavajte všetky požiadavky na balení a označení. Zabezpečte, aby počas prepravy akumulátory neprišli do kontaktu s inými akumulátormi ani vodivými materiálmi – chráňte obnažené konektory pomocou izolácie, nevodivými viečkami alebo páskou. Neprepravujte akumulátory, ktoré sú prasknuté alebo vytekajú. Ďalšie pokyny zistíte u nasledujúcej spoločnosti.

## ÚDRŽBA

### VAROVANIE

Používajte len originálne náhradné diely, príslušenstvo a nástavce výrobcu. V opačnom prípade môže dôjsť k možnému poraneniu, nedostatočnému výkonu a strate platnosti záruky.

### VAROVANIE

Údržba vyžaduje extrémnu starostlivosť a znalosti, a musí byť prevádzaná výhradne v autorizovanom servise. Ak chcete vykonať servis, prineste produkt do autorizovaného servisného centra. Pri servise používajte len originálne náhradné diely výrobcu.

- Používajte rukavice pri údržbe rezných zariadení.
- Údržbu nástroja vykonávajte opatrne. Udržujte reznú hranu ostrú a čistú pre najlepší výkon a zníženie rizika poranenia. Dodržiavajte pokyny na mazanie a výmenu príslušenstva. Rukoväte udržiavajte suché a čisté, bez zvyškov oleja či maziva.
- Vypnite a vyberte sadu batérií pred vykonávaním akejkoľvek údržby alebo čistenia.
- Po každom použití vyčistite telo a rukoväť produktu suchou tkaninou.
- Po každom použití vyčistite sutinu z ostrí pomocou tvrdej kefy a predtým, ako znova namontujete ochranný kryt ostria, dôkladne naneste prostriedok proti hrdzaveniu. Výrobca odporúča aplikovať a rovnomerne naniesť prostriedok proti hrdzaveniu a lubrikačný sprej, čím sa zníži riziko poranenia osôb následkom kontaktu s ostriami. Informácie o vhodnom sprejovom produkte dostanete v miestnom autorizovanom servisnom centre.
- Pri čistení plastových dielov nepoužívajte rozpúšťadlá. Veľa plastov je citlivých na poškodenie rôznymi typmi komerčných rozpúšťadiel a môžu byť nimi poškodené. Na odstránenie špiny, prachu, oleja, maziva a pod. použite čisté tkaniny.
- Vždy skontrolujte, či vetracie otvory nie sú upchaté úlomkami.
- Ostria pravidelne kontrolujte, či nie sú poškodené a opotrebované.
- Vždy používajte náhradné ostria špecifikované výrobcu.
- Pre ľahšiu prevádzku a dlhšiu životnosť čepele, namažte čepele nožov pred a po každom použití. Pred mazaním vyberte sadu batérií a položte nože na

rovný povrch. Popri okraji horného ostria naneste ľahké strojové mazivo. Nenanašajte olej, keď je výrobok spustený.

## ZVYŠKOVÉ RIZIKÁ:

Aj keď sa nástroj používa podľa predpisu, nie je možné eliminovať určité zvyškové rizikové faktory. Pri použití vznikajú nasledujúce riziká a obsluhujúca osoba musí venovať zvláštnu pozornosť, aby nedošlo k nasledovnému:

- Zranenie spôsobené vibráciami.
  - Produkt držte za rukoväť na to určené a obmedzte pracovný čas a expozíciu.
- Poškodenie sluchu v dôsledku vystaveniu hluku.
  - Používajte ochranu sluchu a obmedzte expozíciu.
- zranenie pri kontakte s čepeľami,
  - Ostria nie je možné počas rezania chrániť. Nedávajte ostrie do blízkosti vás a iných osôb. Keď produkt nepoužívate, vždy nasadte kryt ostria.

## OBMEDZENIE RIZIKA

Boli hlásené prípady, kedy vibrácie z ručných nástrojov u niektorých osôb prispeli k stavu nazývanému Raynaudov syndróm. K symptómom patria: tŕpnutie, znečlivenie a blednutie prstov, zvyčajne zjavné po vystaveniu zime. Je známe, že k vývoju týchto symptómov prispievajú: dedičné faktory, vystavovanie zime a vlhkosti, diéta, fajčenie a pracovné návyky. Opatrenia, ktoré môže vykonať obsluhujúca osoba na možné zníženie účinkov vibrácií:

- V studenom počasí udržiavajte svoje telo v teple. Pri práci s produktom noste rukavice, aby ste mali ruky a zápästia v teple. Boli hlásené prípady, kedy hlavným faktorom prispievajúcim k Raynaudovmu syndrómu bolo studené počasie.
- Po každom určitom časovom úseku prevádzky cvičte, aby ste zlepšili krvný obeh.
- Počas práce si doprajte časté prestávky. Obmedzte počet vystavení za deň.
- Ak zistíte ktorýkoľvek zo symptómov tohto stavu, okamžite prerušte používanie zariadenia, navštívte svojho lekára a povedzte mu o symptómoch.

### VAROVANIE

Pri dlhodobom alebo zvýšenom používaní môže dôjsť k zraneniam. Pri používaní nástroja príliš dlhé obdobia si vždy doprajte pravidelné prestávky.

## OBOZNÁMTE SA S VAŠÍM PRODUKTOM

Pozrite stranu 139.

1. Zadná rukoväť
2. Bezpečnostné tlačidlo spínača
3. Spínač
4. Čepeľ nožnic na strihanie trávy
5. Ochranný obal na čepeľ nožnic na strihanie trávy
6. Čepeľ nožnic na živý plot
7. Ochranný obal na čepeľ nožnic na živý plot
8. Batéria
9. Tlačidlo západky akumulátora



10. Nabíjačka
11. Gombík na zaistenie čepele
12. Stĺpiky ostria
13. Gumený podstavec krytu portu

## SYMBOLY NA PRODUKTE



Výstražná značka



Pred použitím produktu si s porozumením prečítajte všetky pokyny a dodržiavajte výstražné a bezpečnostné upozornenia.



Používajte chrániče zraku.



Používajte chrániče sluchu.



Používajte protišmykové odolné ochranné rukavice.



Nevystavujte dažďu ani nepoužívajte vo vlhkom prostredí.



Aby nedošlo k závažnému poraneniu, nedotýkajte sa rezných ostří.



Pozor na vymrštené alebo odletujúce objekty. Všetky okolostojace osoby (najmä deti a domáce zvieratá) musia stáť minimálne 15 m od miesta práce.



Výstraha! Rezné zariadenia pokračuje v rotácii aj po vypnutí motora.



Opotrebované elektrické zariadenia by ste nemali odhadzovať do domového odpadu. Prosíme o recykláciu ak je možné. Kontaktujte miestne úrady, alebo predajcu pre viac informácií ohľadom ekologického spracovania.



Vyhovuje všetkým regulačným normám v krajine EÚ, v ktorej bol výrobok zakúpený.



Euroázijská značka zhody



Ukrajinské označenie zhody



Garantovaná hladina akustického výkonu, uvedená na tomto štítku, je 86 dB.

Nasledujúce značky a významy vysvetľujú úroveň rizika spojeným s výrobkom.

### ⚠ NEBEZPEČENSTVO

Označuje bezprostredne nebezpečnú situáciu, ktorá môže vyústiť v smrť, alebo vážne zranenie.

### ⚠ VAROVANIE

Označuje potenciálne nebezpečnú situáciu, ktorá môže vyústiť v smrť, alebo vážne zranenie.

### ⚠ VÝSTRAHA

Označuje potenciálne nebezpečnú situáciu, ktorá môže vyústiť v ľahké, alebo stredne ťažké zranenie.

### VÝSTRAHA

Bez symbolu bezpečnostného alarmu

Označuje situáciu, ktorá môže zapríčiniť poškodenie majetku.

## SYMBOLY V TOMTO NÁVODE



Diely alebo príslušenstvo predávané samostatne



Poznámka



Varovanie



EN
FR
DE
ES
IT
NL
PT
DA
SV
FI
NO
RU
PL
CS
HU
RO
LV
LT
ET
HR
SL
SK
<b>BG</b>
UK
TR

Безопасността, производителността и надеждността са аспектите, на които е отделен най-голям приоритет при проектирането на вашата ножица за трева/ножица за храсти.

### ПРЕДНАЗНАЧЕНИЕ

Безжичните ножици за трева/храсти са предназначени за употреба само на открито в добре проветрявана зона.

Този продукт е предназначен за домашна или битова употреба.

Когато се използва с приставка ножица, продуктът е предназначен за леко подрязване на храсти и бурени.

Когато се използва с приставка ножица за храсти, продуктът е предназначен за леко подрязване на шубраци, живи плетове и храсти.

Не го използвайте за никакви други цели.

### ОБЩИ ПРЕДУПРЕЖДЕНИЯ ЗА БЕЗОПАСНОСТ

#### ПРЕДУПРЕЖДЕНИЕ

Прочетете всички предупреждения относно безопасността и всички инструкции. Неспазването на предупрежденията и инструкциите може да доведе до токов удар, пожар и/или сериозни наранявания.

Съхранявайте всички предупреждения и инструкции за бъдещи справки.

Терминът "електрически инструмент" в предупрежденията се отнася за вашия инструмент - със захранване от електрическата мрежа (с кабел) или на батерия (безжичен).

#### Безопасност на работната зона

- **Поддържайте работното пространство чисто и добре осветено.** Безпорядъкът или тъмнината в работното пространство са предпоставка за злополуки.
- **Не използвайте електрически инструменти в експлозивни среди, например в присъствието на запалителни течности, газове или прах.** По време на работа електрическите инструменти произвеждат искри, които могат да възпламенят прах или пари.
- **Дръжте децата и страничните наблюдатели далече, докато боравите с електрически инструмент.** Ако вниманието ви бъде отклонено, може да загубите контрола над електрическия инструмент.

#### Електрическа безопасност

- **Щепселът на електрическия инструмент трябва да е съвместим с контакта. В никакъв случай не внасяйте изменения в конструкцията на щепсела.** Когато работите със занулени електрически инструменти, не използвайте адаптери за щепсела. Използването на оригиналните щепсели и контакти намалява риска от токов удар.

- **Избягвайте допир със заземени повърхности, като тръби, радиатори, печки и хладилници.** Когато тялото ви е заземено, рискът от възникване на токов удар е по-голям.
- **Не излагайте продукта на дъжд или влажни условия.** Проникването на вода в електрическия инструмент повишава опасността от токов удар.
- **Не насилвайте захранващия кабел. Никога не носете, не изключвайте и не дърпайте електрическия инструмент за кабела.** Предпазвайте кабела от нагриване, омасляване, допир до остри ръбове или до подвижни звена на машини. Повредените или усукани кабели увеличават риска от токов удар.
- **Когато работите с електрически инструмент на открито, използвайте само удължителни кабели, предназначени за работа на открито.** Използването на удължител, предназначен за работа на открито, намалява риска токов удар.
- **Ако не можете да избегнете използването на електрически инструмент на влажно място, използвайте RCD (прекъсвач със защитно изключване).** Използването на RCD намалява опасността от електрически удар.

#### Лична безопасност

- **Бъдете бдителни, внимавайте какво правите и проявявайте благоразумие, когато боравите с електрически инструмент.** Не използвайте електрическия инструмент, когато сте уморени или под влиянието на наркотични вещества, алкохол или лекарства. Миг невнимание, докато боравите с електрически инструмент, е достатъчен за получаването на сериозни наранявания.
- **Използвайте лична защитна екипировка. Винаги носете защитни очила.** Защитната екипировка, като маска против прах, пригодени против плъзгане защитни обувки, твърда шапка или антифони, използвани за подходящите условия, ще намали опасността от физически наранявания.
- **Не допускайте нежелано стартиране.** Преди да вдигате или носите инструмента и преди да го включвате в електрическата мрежа и/или батерия, винаги проверявайте дали превключвателят е на позиция OFF (изкл). Носенето на инструмента с пръст върху превключвателя или включването му към електричеството, докато превключвателят му е на включен, е предпоставка за злополуки.
- **Махнете всички гачни или френски ключове за настройка преди да включите инструмента.** Помощен инструмент, забравен на въртящ се елемент, може да доведе до физически наранявания.
- **Не се протягайте, за да работите на трудно достижими места.** Винаги стъпвайте стабилно по време на работа и пазете равновесие. Това дава възможност за по-добър контрол над електрическия инструмент в неочаквани ситуации.
- **Обличайте се целесъобразно. Не носете широки дрехи или украшения.** Дръжте косата, дрехите





и ръкавиците си на безопасно разстояние от подвижните елементи. Широките дрехи, украшенията, дългите коси могат да бъдат захванати и увлечени от движещи се елементи.

- Ако устройствата са оборудвани със съоръжение за издърпване и събиране на прах, уверете се, че е то свързано и функционира правилно. Използването на устройствата за събиране на прах ще намали рисковете, свързани с работа в прашни условия.

#### Използване и обслужване на електрическия инструмент

- Не насилвайте продукта. Използвайте електрическия инструмент, съобразно неговото предназначение. Правилно подбираният електрически инструмент ще свърши работата по-добре и по-безопасно в зададения от производителя диапазон на натоварване.
- Не използвайте електрически инструменти, чиито пусков прекъсвач е повреден. Електрически инструмент, който не може да бъде контролиран посредством превключвател, е опасен и трябва да бъде ремонтиран.
- Изключете щепсела от източника на захранване и/или батерията от електрическия инструмент, преди да извършвате каквито и да е корекции, да сменят принадлежностите и преди съхраняване на електрическите инструменти. Тази мярка премахва опасността от задействане на електрическия инструмент по невнимание.
- Съхранявайте незаетите електрически инструменти на недостъпни за деца места и не позволявайте на лица, непознати с инструмента или с тези указания, да боравят с него. Когато са в ръцете на неопитни потребители, електрическите инструменти могат да бъдат изключително опасни.
- Поддържайте електрическите инструменти в изправност. Проверявайте за неизправности или заклиняване в подвижните елементи, за счупени части или други обстоятелства, които могат да влошат работата на електрическия инструмент. Преди да използвате електрическия инструмент, се погрижете повредите да бъдат отстранени. Много от трудовите злополуки се дължат на недобре поддържани електрически инструменти.
- Поддържайте режещите инструменти винаги добре заточени и чисти. Инструменти, за които е полагана правилна грижа и са с добре наточени режещи елементи, се управляват по-лесно и вероятността да заядат е по-малка.
- Използвайте електрическите инструменти, принадлежностите и режещите и др. части съобразно тези указания, като се съобразявате с работните условия и с работата, която ще извършвате. Използването на електрически инструменти за различни от предвидените от производителя приложения повишава опасността от възникване на трудови злополуки.

#### Използване и обслужване на инструмента с батерия

- Презареждайте единствено със зарядното устройство, посочено от производителя. Зарядно устройство, подходящо за зареждане на един вид батерии, може да предизвика риск от пожар, ако бъде използвано за други батерии.
- Използвайте електрически инструменти с батерии единствено със специално предназначение за тях батерии. Използването на всякакви други батерии може да създаде риск от нараняване и пожар.
- Когато батерията не се използва, съхранявайте я далеч от други метални обекти, като например кламери, монети, ключове, гвоздеи, гайки или други малки метални обекти, които могат да направят връзка между клемите. Късото съединение от клемите може да доведе до изгаряния или пожар.
- При неправилно използване батерията може да отдели течност; избягвайте контакт. Ако случайно настъпи контакт, промийте с вода. Ако течността влезе в контакт с очите, потърсете допълнително медицинска помощ. Отделената от батерията течност може да причини възпаление или изгаряния.

#### Сервизно обслужване

- Ремонтът на електрическите инструменти трябва да се извършва само от квалифицирани специалисти и само с използването на оригинални резервни части. По този начин се гарантира поддържането на безопасност при работа с електрическия инструмент.

### ПРЕДУПРЕЖДЕНИЯ ЗА БЕЗОПАСНОСТ ПРИ РАБОТА С НОЖИЦИ ЗА ТРЕВА/ХРАСТИ

#### ▲ ПРЕДУПРЕЖДЕНИЕ

Режещите части продължават да се движат по инерция след изключване на мотора.

#### ОБУЧЕНИЕ

- Прочете инструкциите внимателно. Запознайте се с контролите за управление и правилното използване на продукта.
- Никога не позволявайте продуктът да бъде използван от: деца; лица с намалени физически, сетивни или умствени способности; лица без необходимите опит и знания; лица, които не са запознати с настоящите инструкции. Местните наредби могат да налагат ограничения за възрастта на оператора.
- Трябва да знаете, че операторът или потребителят е отговорен за причиняването на злополуки или щети на други лица или имущество.

#### ПОДГОТОВКА

- Преглеждайте уреда преди употреба. Заменяйте повредените части.





- Преди всяка употреба прочиствайте района, който ще подрязвате. Отстранете всички предмети като кабели, лампи, жици или върви, които могат да отхвърчат или да се заплетат в режещия механизъм.
- Никога не използвайте инструмента, докато наблизо има хора, особено деца или домашни любимци.
- Сменете остриетата или други части, ако са спукани, нащърбени или повредени. Уверете се, че режещите части са правилно монтирани и здраво закрепени. В противен случай има риск от физическо нараняване на оператора и близкостоящите лица, както и от повреда на уреда.
- Не използвайте продукта, ако превключвателят не включва или изключва продукта. Продукт, който не може да бъде контролиран посредством превключвател, е опасен и трябва да бъде ремонтиран.
- Изградете си навик да проверявате, всеки път преди да включите продукта, дали всички гаечни и френски ключове, използвани за регулирането му, са отделени от него.

## РАБОТА

- За да се намали рискът от наранявания, винаги носете защитни очила, обувки и облекло, когато използвате продукта.
- Обличайте се целесъобразно. Не носете широки дрехи или бижута, които може да се захванат в движещите се части. Препоръчителна е употребата на ръкавици, затворени обувки и дълги панталони при работа на открито.
- Избягвайте да използвате продукта при лоши метеорологични условия, особено ако има риск от мълнии.
- Включвайте мотора само когато ръцете и краката ви са далече от режещите механизми.
- Предпазвайте ръцете и краката си от нараняване в следствие на контакт с режещите механизми.
- Винаги трябва да сте наясно с околната обстановка и да внимавате за възможни опасности, които може да не чуете заради шума от машината.
- Никога не се опитвайте да използвате продукт с липсващи части или ако са направени неразрешени модификации.

## ПРЕДУПРЕЖДЕНИЯ ЗА БЕЗОПАСНА РАБОТА С ХРАСТОРЕЗА

- **Дръжте режещия механизъм далеч от тялото си. Не отстранявайте отрязания материал и не дръжте материала, който ще режете, докато остриетата се движат. Уверете се, че превключвателят е в изключено положение, когато почиствате заседнал материал.** Миг невнимание по време на работа с продукта може да предизвика сериозни физически наранявания.
- **Носете ножицата за жив плет за дръжката, със спряло острие. При транспортиране или съхранение винаги поставяйте предпазителя на режещото устройство.** Правилното третиране на

хростореза ще намали възможността за нараняване с острието.

- **Дръжте електрическия инструмент само за изолираните повърхности за хващане, тъй като острието може да влезе в контакт със скрити кабели или с кабела на инструмента.** Ако остриетата влязат в контакт с открити жици, може да протече ток по металните части на електрическия инструмент и операторът да бъде подложен на токов удар.
- **Дръжте кабела далече от зоната на рязане.** По време на работа кабелът може да се окаже скрит из шубраците и да бъде срязан по случайност от острието.
- Проверете храстите за външни предмети, като например телени огради.

## ДОПЪЛНИТЕЛНИ ПРЕДУПРЕЖДЕНИЯ ЗА БЕЗОПАСНОСТ

- За да предотвратите случайно стартиране, никога не носете продукта с пръст на спуська.
- Носете здрави, дълги панталони, затворени обувки и плътни ръкавици. Не носете шорти, сандали и не ходете боси.
- Уверете се, че превключвателят е на позиция OFF (ИЗКЛЮЧЕНО), преди да поставите акумулаторната батерия. Поставянето на акумулаторната батерия в продукт, чийто превключвател е на позиция ON (ВКЛЮЧЕНО) е предпоставка за несчастни случаи.
- Не използвайте тази машина при слабо осветление. Използвайте продукта през деня или при добро изкуствено осветление.
- Заемайте стабилна позиция и пазете баланс. Не се протягайте, за да работите на трудно достижими места. Протягането може да доведе до загуба на равновесие. Винаги спъвайте внимателно и стабилно на стръмни повърхности. Вървете, никога не тичайте, когато косите.
- Не насилвайте продукта. Той ще свърши работата по-добре и по-безопасно в зададения от производителя диапазон на натоварване.
- Преди да стартирате продукта, се уверете, че режещите механизми няма да докоснат нищо. Ако режещите механизми попаднат на външно тяло или се заплетат с чужди обекти, спрете незабавно продукта, извадете батерията и проверете за повреди. Не използвайте инструмента, ако има хлабави или повредени части.
- Проверете за повредени части, напасването и свързката на движещите се части и всякакви други условия, които могат да влияят на работата на инструмента. Преди да продължите работата си с инструмента, другите повредени части трябва да бъдат щателно проверени, за да се определи дали продуктът ще работи правилно и ще извършва функцията си по предназначение. Поправянето или заменянето на повредени части трябва да се извършват само от оторизирани сервиси.
- За да намалите опасността от нараняване при контакт с движещите се елементи, винаги спирайте



продукта, изваждайте акумулаторната батерия, изчакайте всички движещи се елементи напълно да спрат движението си и го оставете да изстине преди:

- когато оставяте уреда без надзор
  - преди отстраняване на препятствия
  - преди проверка, почистване или работа по уреда
  - проверка на продукта след удар в чужд предмет
  - ако уредът започне да вибрира неестествено
- Дръжте ръцете си далеч от остриетата. Не отстранявайте отрязания материал и не дръжте материала, който ще режете, докато остриетата се движат. Уверете се, че батерията е извадена и спусъкът е отпуснат при почистване на заседнал материал от режещите механизми. Не хващайте непокритите режещи остриета или ръбове, когато вдигате или държите основния инструмент.
- Дръжте ръцете, лицето и краката си на безопасно разстояние от движещия се части. Не докосвайте или не опитвайте да спирате остриетата, докато се движат.
- Винаги спирайте мотора, когато рязането е забавено или когато минавате от едно място за рязане на друго.
- Почиствайте продукта от изрязана трева и други материали. Те може да се залепят в остриетата.
- Винаги поставяйте капака на остриетата, когато продуктът не се използва.
- Никога не мокрете и не пръскайте продукта с вода или друга течност. Поддържайте ръкохватките чисти, сухи и без наноси.
- Транспортиране и съхранение
- Никога не ползвайте уреда с повредени защити или странични екрани или без монтирани защитни устройства.
- Ако възникне инцидент или повреда, незабавно изключете и извадете батерията. Не работете с продукта отново, докато той не премине щателна проверка в оторизиран сервизен център.
- Когато транспортирате или съхранявате продукта, винаги поставяйте ножница на острието.
- Почистете старателно продукта преди да го приберете за съхранение. Съхранявайте продукта на сухо и добре проветриво място, недостъпно за деца. Не го оставяйте в близост до корозивни материали като градински химикали или соли за размразяване.
- Съхранявайте и зареждайте акумулаторната батерия на хладно място. Температура над и под нормалната стайна температура ще съкрати експлоатационния живот на акумулаторната батерия.
- Никога не прибирайте на съхранение акумулаторната батерия в състояние на пълен разряд. Изчакайте акумулаторната батерия да изстине и я заредете веднага.
- Когато транспортирате продукта, го обезопасете така, че да не може да се движи или да падне,

защото това може да доведе до евентуални наранявания на хора или повреди по продукта.

## ТРАНСПОРТИРАНЕ НА ЛИТИЕВИ БАТЕРИИ

Транспортирайте батериите в съответствие с местните и национални постановления и разпоредби.

Спазвайте всички специални изисквания за пакетирани и етикетирани, когато транспортирате батерии чрез трето лице. Уверете се, че батериите не влизат в контакт с други батерии или проводими материали по време на транспортиране, като предпазите откритите конектори с изолация, непроводими капачета или лента. Не транспортирайте батерии, които са спукани или текат. Свържете се със следната компания за допълнителен съвет.

## ПОДДРЪЖКА

### ⚠ ПРЕДУПРЕЖДЕНИЕ

Използвайте само оригинални резервни части, аксесоари и приставки от производителя. В противен случай може да се влоши работата на инструмента или да получите тежки контузии, а гаранцията ви ще стане невалидна.

### ⚠ ПРЕДУПРЕЖДЕНИЕ

Сервизното обслужване изисква изключително внимание и специфични познания и следва да бъде извършвано само от квалифициран техник. За сервизно обслужване занесете продукта в оторизиран сервизен център. При извършване на сервизни дейности използвайте само оригинални резервни части от производителя.

- Когато работите с режещите механизми, използвайте ръкавици.
- Поддържайте грижливо продукта. Поддържайте режещия ръб остър и чист за най-добра производителност и за намаляване на риска от нараняване. Следвайте инструкциите за смазване и смяна на принадлежностите. Поддържайте ръкохватките сухи, чисти и неомаслени.
- Изключете и извадете батерията, преди да извършите каквито и да било дейности по профилактика или почистване.
- След всяко използване почиствайте корпуса и дръжките на уреда с мека и суха кърпа.
- След всяко използване почиствайте остриетата от отломки с твърда четка, след което смазвайте с препарат против ръжда, преди да монтирате отново протектора на острието. Производителят препоръчва да използвате смазочен спрей против ръжда, за да можете да приложите препарата равномерно и да намалите риска от нараняване при евентуален контакт с остриетата. За повече информация относно подходящ смазочен спрей се обърнете към вашия местен оторизиран сервизен център.
- Избягвайте използването на разтворители при



почишването на пластмасовите части. Повечето пластмаси са чувствителни към различни видове разтворители и може да се повредят при използването на такива. Използвайте чисти парцали, за да премахнете кал, прах, масло, грес и т.н.

- Винаги проверявайте дали по вентилационните отвори има отпадък.
- Периодично проверявайте остриетата за щети и износване.
- Винаги използвайте посочените от производителя резервни остриета.
- За по-лека работа и по-дълъг живот на остриетата, смазвайте ги преди и след всяка употреба. Преди да нанесете смазочна течност, извадете акумулаторната батерия и поставете остриетата на плоска повърхност. Нанесете лека машинна смазка по ръба на най-горното острие. Не нанасяйте масло, докато продуктът работи.

### НЕПРЕДВИДЕНИ РИСКОВЕ.

Дори когато продуктът се използва по предназначение, е невъзможно напълно да се ограничи влиянието на определени рискови фактори. Рисковете, описани по-долу, може да възникнат по време на употреба и операторът трябва да внимава за избягването на следното:

- Нараняване, причинено от вибрация.
  - Дръжте продукта за предназначения ръкохватки и ограничавайте времето за работа.
- Увреждане на слуха в следствие на излагане на шум.
  - Носете антифони и ограничете излагането.
- нараняване в следствие на контакт с остриетата
  - Няма как остриетата да бъдат обезопасени по време на рязане. Дръжте острието далече от себе си и от странични наблюдатели. Винаги поставяйте капака на остриетата, когато продуктът не се използва.

### ΜΕΙΩΣΗ ΚΙΝΔΥΝΟΥ

Известно е, че вибрациите, произвеждани от ръчни инструменти може да предизвикат у някои индивиди заболяване, наречено Синдром на Рейнолд (Raynaud's Syndrome). Симптомите може да включват изтръпване, схващане и избледняване на пръстите, обикновено се забелязват при излагане на студ. Смята се, че наследствените фактори, излагането на студ и влага, диетите, пушенето и някои работни навици допринасят за развитието на тези симптоми. Могат да се вземат някои мерки, които могат да се предприемат от оператора, за да се намалят ефектите от вибрациите:

- Поддържайте телесната температура в студено време. Когато работите с продукта, носете ръкавици, за да поддържате ръцете и китките си топли. Според изследвания главният фактор, допринасящ за развитието на Raynaud's Syndrome, е студеното време.
- Правете упражнения за активизиране на

крвообращението след всеки работен цикъл.

- Редовно излизайте в почивка. Ограничете излагането на вибрации на ден.
- При поява на някой от симптомите на това заболяване, незабавно прекратете употребата на инструмента и посетете лекар.

### ⚠ ПРЕДУПРЕЖДЕНИЕ

Продължителното използване на инструмента може да доведе до наранявания или влошаване. При използване на инструмента за продължителни периоди от време правете чести почивки.

### ОПОЗНАЙТЕ ВАШИЯ ПРОДУКТ

Вж. страница 139.

1. Задна ръкохватка
2. Бутон за заключване на спуська
3. Спусък
4. Ножици за трева
5. Ножница за ножиците за трева
6. Ножици за храсти
7. Ножница за ножиците за храсти
8. Батерия
9. Бутон за фиксатора на батерията
10. Зарядно устройство
11. Осигурителна връзка за острието
12. Подпори на острието
13. Капак на отвора за гумената муфта

### СИМВОЛИ НА ПРОДУКТА



Предупреждение относно безопасността



Прочетете и осмислете всички указания, преди да започнете работа с продукта; спазвайте всички предупреждения и инструкции за безопасност.



Носете защитни средства за очи.



Носете антифони.



Носете здрави предпазни ръкавици, пригодени против плъзгане.



Не излагайте на дъжд и на влажни условия.



За да избегнете сериозно физическо нараняване, не докосвайте режещите остриета.





Внимавайте за изхвърлени или летящи обекти. Не допускайте странични наблюдатели, особено деца и домашни животни, на по-малко от 15 м от работната зона.



Внимание! Режещите части продължават да се движат по инерция след изключване на мотора.



Електрическите уреди не трябва да се изхвърлят заедно с битовите отпадъци. Рециклирайте, където има възможност. Обърнете се за съвет по рециклирането към местните власти или разпространителите.



Тази машина е в съответствие с нормативната уредба на държавата от ЕС, където е била закупена.



EurAsian знак за съответствие.



Украински знак за съответствие



Гарантираното ниво на силата на шум, показано на този етикет, е 86 dB.

## СИМВОЛИ В НАСТОЯЩОТО РЪКОВОДСТВО



Частите или принадлежностите се продават отделно



Забележка



Предупреждение

Следните сигнални думи и значенията им са предназначени да обяснят нивата на опасност, свързани с този продукт.

### **ОПАСНОСТ**

Указва неминуемо опасна ситуация, която ако не бъде избегната, ще доведе до сериозни наранявания или смърт.

### **ПРЕДУПРЕЖДЕНИЕ**

Указва потенциално опасна ситуация, която ако не бъде избегната, може да доведе до сериозни наранявания или смърт.

### **ВНИМАНИЕ**

Указва потенциално опасна ситуация, която ако не бъде избегната, може да доведе до дребни или средни наранявания.

### **ВНИМАНИЕ**

Без предупредителен символ за безопасност

Указва ситуация, която може да доведе до имуществени щети.





Головними міркуваннями при розробці цих бездротових газонних ножиць/кущорізу були безпека, ефективність та надійність.

### ПЕРЕДБАЧУВАНОМУ ВИКОРИСТАННІ

Бездротові ножиці для трави/кущів призначені для використання виключно на відкритому повітрі в умовах належної вентиляції.

Продукт призначений для домашнього або місцевого використання.

Пристрій призначено для легкої обрізки трави та бур'янів, коли використовуються пристосування для ножиць.

При використанні пристрою з додатками кущоріза, пристрій призначений для легкої обрізки кущів, живих парканів і чагарників.

Не використовуйте для будь-яких інших цілей.

### ЗАГАЛЬНІ ЗАХОДИ БЕЗПЕКИ

#### Попередження

**Прочитайте всі правила безпеки та інструкції.** Недотримання попереджень та інструкцій може призвести до ураження електричним струмом, пожежі та / або серйозної травми.

#### Збережіть всі інструкції і вказівки для майбутнього використання.

Термін "електроінструмент" у попереджувальних повідомленнях відноситься до вашого мережевого електроінструменту (дротового) або електроінструменту, що живиться від акумуляторної батареї (бездротового).

#### Безпека робочого місця

- Утримуйте робоче місце в чистоті і добре освітленим. Безлад на робочому місці або темні місця спричиняють аварії.
- Не використовуйте продукт у вибухонебезпечних атмосферах, наприклад, у присутності легко займистих рідин, газів або пилу. Під час роботи косарки виникають іскри, що можуть призвести до займання пилу або парів.
- Тримайте дітей та сторонніх осіб подалі під час роботи електроінструментом. Відволікання уваги може призвести до втрати контролю.

#### Електробезпека

- Вилка живлення електроінструменту повинна відповідати розетці. Ніколи не змінюйте вилку. Не використовуйте ніякі вилки-перехідники з заземленими (замкнутими на землю) електроінструментами. Не змінені вилки та відповідні розетки зменшують ризик ураження електричним струмом.
- Уникайте контакту тіла з заземленими поверхнями, такими як труби, радіатори, плити та холодильники. Якщо ваше тіло заземлене, існує підвищений ризик ураження електричним струмом.

- Не піддавайте електроінструменти впливу дощу або вологих умов. Попадання води на пристрій збільшує ризик ураження електричним струмом.
- Не зловжуйте шнур. Ніколи не використовуйте шнур живлення для перенесення, переміщення або вилучення вилки з розетки. Тримайте шнур подалі від тепла, масла, гострих кромок або рухомих частин. Пошкоджені або заплутані шнури збільшують ризик ураження електричним струмом.
- При роботі з електроінструментом на вулиці, використовуйте подовжувач, відповідний для використання на відкритому повітрі. Використання кабелю, придатного для використання на відкритому повітрі, знижує ризик ураження електричним струмом.
- При роботі з електроінструментом у вологому середовищі використовуйте залишковий поточний пристрій (ЗПП) захищеного живлення. Використання ЗПП знижує ризик ураження електричним струмом.

#### Особиста безпека

- Будьте уважні, дивіться, що ви робите, і використовуйте здоровий глузд при експлуатації виробу. Не працюйте з виробом, коли ви втомлені або знаходитесь під дією наркотиків, алкоголю або медикаментів. Найменша необережність при роботі з електроінструментом може призвести до серйозних травм.
- Використовуйте персональне захисне обладнання. Завжди одягайте захисні окуляри. Засоби захисту, такі як респіратор, нековзне взуття, каска або засоби захисту органів слуху, що використовуються в належних умовах знизять ризик отримання травми.
- Запобігайте випадкового запуску. Переконайтеся, що вимикач знаходиться у вимкненому положенні перед підключенням до джерела живлення та / або акумуляторної батареї, підніманням або переміщенням інструменту. Не переносьте електроінструмент з пальцем на вимикачі або подачею живлення на інструмент, який має перемикач, щоб запобігти нещасного випадку.
- Перед включенням електроінструменту знімайте регульовальний або гайковий ключ. Гайковий ключ або регульовальний ключ, залишений на обертаємій частині електроінструменту, може призвести до травми.
- Не тягніться. Зберігайте правильну стійку і баланс весь час. Це дозволяє краще контролювати інструмент в несподіваних ситуаціях.
- Одягайтеся правильно. Не носіть вільний одяг або прикраси. Тримайте волосся, одяг і рукавички подалі від рухомих частин. Вільний одяг, прикраси або довге волосся можуть потрапити в рухомі частини.
- Якщо є пристрій для підключення для збору пилу, переконайтеся, що вони під'єднані і використовуються правильно. Використання пилосбірника знижує небезпеку, пов'язану з



запиленістю.

#### Використання та догляд за електроінструментом

- **Не перевантажуйте електроінструмент.** Використовуйте відповідний для вашої потреби електроінструмент. Електроінструмент виконає роботу краще і безпечніше при швидкості, для якої він був розроблений.
- **Не використовуйте електроінструмент, якщо перемикач не включає та вимикає його.** Будь-який електроінструмент, яким не можливо керувати за допомогою перемикача - небезпечний і повинен бути відремонтований.
- **Відключіть вилку від джерела живлення та / або від акумулятора електроінструменту, перш ніж робити будь-які регулювання, зміну приладдя або при зберіганні електроінструменту.** Такі запобіжні заходи знижують ризик випадкового запуску приладу.
- **Зберігайте непрацюючі електроприлади у недоступному для дітей місці і не дозволяйте особам, які не знайомі з інструкціями електричного прилада або з даними інструкціями, працювати з електроприладами.** Електроінструменти небезпечні в руках недосвідчених користувачів.
- **Обслуговуйте електроінструмент.** Перевіряйте рухомі частини на наявність зміщення елементів або некоректного з'єднання, а також поломки та будь-яких інших чинників, які можуть вплинути на роботу електроінструменту. Якщо пошкоджений, відремонтуйте електроінструмент перед використанням. Багато нещасних випадків є наслідком поганого догляду за електроінструментом.
- **Тримайте ріжучий інструмент гострим і чистим.** Добре доглянутий ріжучий інструмент з гострими ріжучими крайками рідше зв'язується і легше контролюється.
- **Використовуйте електроприлади, приладдя та насадку відповідно до цих інструкцій, урахувавши умови та характер роботи.** Використання електричного інструменту для операцій, які відрізняються від призначених, може призвести до небезпечної ситуації.

#### Використання і догляд інструменту на батарейках

- **Перезаряджати тільки за допомогою зарядного пристрою, зазначеного виробником.** Зарядний пристрій, що підходить для одного типу акумуляторів, може створити ризик загоряння при використанні з іншим акумуляторним блоком.
- **Використовуйте електроінструменти тільки з призначеними для них акумуляторами.** Використання будь-яких інших акумуляторів, може створити ризик отримання травми і пожежі.
- **Коли акумуляторна батарея не використовується, тримайте її подалі від металевих предметів, таких як кліпси, монети, ключі, цвяхи, гвинти або інші невеликі металеві предмети, які можуть замкнути клеми.** Коротке

замикання контактів акумулятора може призвести до опіків або пожежі.

- **У важких умовах експлуатації, рідина може бути випущена з батареї; уникайте контакту.** При випадковому контакті змийте водою. При потрапленні рідини в очі, зверніться за медичною допомогою. Рідина з акумулятора може викликати роздратування або опіки.

#### Обслуговування

- **Дозволяйте обслуговувати ваш електроінструмент тільки кваліфікованому персоналу, використовуючи тільки ідентичні запасні частини.** Це гарантуватиме безпечну експлуатацію електроінструменту.

### ПОПЕРЕДЖЕННЯ З БЕЗПЕКИ ПРИ РОБОТІ З НОЖИЦЯМИ ДЛЯ ТРАВИ/КУЩІВ

#### ⚠ Попередження

Ріжучі частини продовжують працювати, після того як двигун вимкнено.

#### ПІДГОТОВКА

- Уважно прочитайте інструкцію. Добре ознайомтеся з органами управління та правильним використанням машини.
- Ніколи не дозволяйте дітям, людям зі зниженими фізичними, сенсорними або розумовими здібностями або з недостатнім досвідом і знаннями, або людям, не знайомим з цими інструкціями, користуватися виробом. Місцеве законодавство може обмежувати вік оператора.
- Майте на увазі, що оператор або користувач може відповідальність за нещасні випадки або пошкодження спричинені іншим особам або їх майну.

#### ПІДГОТОВКА

- Огляньте виріб перед кожним використанням. Замінійте пошкоджені частини.
- Перед роботою очистіть зону різання. Видалити всі об'єкти, такі, як шури, ліхтарі, дроти, або мотузки, які можуть бути відкинуті або заплуталися в ріжучих засобах.
- Ніколи не використовуйте продукт, коли люди, особливо діти, або домашні тварини знаходяться неподалік.
- Замініть леза або будь-які інші деталі, які мають тріщини, відколи або пошкодження. Переконайтеся, що ріжучі частини правильно встановлені та надійно закріплені. Недотримання цього правила може призвести до травм оператора і сторонніх осіб, а також до пошкодження пристрою.
- Не використовуйте пристрій у разі, якщо кнопка вимикання не працює. Продукт, який не може управлятися за допомогою перемикача, небезпечний і повинен бути відремонтований.



EN
FR
DE
ES
IT
NL
PT
DA
SV
FI
NO
RU
PL
CS
HU
RO
LV
LT
ET
HR
SL
SK
BG
<b>UK</b>
TR

- Сформуйте звичку перевіряти, що регульовальні та гайкові ключі прибрані з пристрою, перед тим як включити його.

#### ФУНКЦІОНУВАННЯ

- Завжди одягайте окуляри, взуття та правильний одяг, коли використовуєте пристрій, для зниження ризику травмування.
- Одягайтеся правильно. Заборонено вдягати просторий одяг та прикраси; вони можуть потрапити до рухомих частин пристрою. Рекомендовано використовувати рукавиці, міцне взуття та довгі штани при роботі на відкритому повітрі.
- Уникайте використання продукту в поганих погодних умовах, особливо, коли є ризик удару блискавки.
- Вмикайте двигун тільки в випадку, коли руки та ноги знаходяться подалі від ріжучих частин пристрою.
- Дбайте про запобігання травмуванню, тримаючи руки та ноги подалі від ріжучих частин пристрою.
- Завжди будьте в курсі вашого оточення і залишайтеся напоготові для можливих небезпек, які ви не можете почути через шум продукту.
- Ніколи не намагайтеся використовувати неповністю зібраний прилад або прилад зі зміненою модифікацією.

#### ТЕХНІКА БЕЗПЕКИ ПРИ РОБОТІ ЗІ ШПАЛЕРНИМИ НОЖИЦЯМИ

- Тримайте всі частини тіла подалі від ріжучих лез. Не видаляйте обрізаний матеріал та не тримайте матеріал, що має різатись, руками, коли леза рухаються. Коли видаляєте затиснутий матеріал, переконайтеся, що перемикач вимкнений. Найменша необережність при роботі з електроінструментом може призвести до серйозних травм.
- Носіть тример для живоплоту на держалі за рукоятку та зупиненим ріжучим лезом. При транспортуванні або зберіганні тримера для живоплоту на держалі завжди встановіть кришку ріжучого пристрою. Правильне поводження з тримером для живоплоту на держалі знизить можливість травм від лез різачка.
- Тримайте електричний інструмент тільки за ізольовані поверхні, тому що ріжуче лезо може контактувати із прихованою проводкою або зі своїм власним шнуром. Леза різачка, що контактують з проводом "під напругою" можуть зробити металеві частини електроінструменту "під напругою" і можуть вдарити оператора.
- Тримайте кабель подалі від зони різання. Під час роботи кабель може бути захований у кущах і бути ненавмисно перерізаний лезом.
- Перевірте живу огорожу на наявність сторонніх предметів, наприклад, дротових огорож.

#### ДОДАТКОВІ ЗАГАЛЬНІ ПОПЕРЕДЖЕННЯ ЩОДО БЕЗПЕКИ

- Щоб уникнути випадкового запуску, ніколи не переносьте пристрій, утримуючи палець на тригері.

- Одягайте важкі, довгі штани, міцне взуття, а також рукавиці, що добре облягають. Не одягайте короткі штани та сандалі, та не ходіть босоніж.
- Переконайтеся, що перемикач знаходиться у позиції вимкнено, перед тим як вставляти акумулятор. Встановлення акумулятора у пристрій з перемикачем у позиції включено може спричинити травмування.
- Не використовуйте при поганому освітленні. Використовуйте продукт при денному світлі або при хорошему штучному освітленні.
- Тримайте міцну опору і рівновагу. Не тягніться. Намагання дотягнутися можуть призвести до втрати рівноваги. Завжди будьте впевнені в опорі на схилах. Ходіть, ніколи не бігайте.
- Не тисніть на пристрій Він буде працювати краще і безпечніше при швидкості, для якої він був розроблений.
- Перед тим, як запустити пристрій, переконайтеся, що ріжучі частини ні з чим не контактують. Якщо ріжучі частини вдарилися або заплуталися за будь-який сторонній предмет, негайно зупиніть пристрій, вийміть акумуляторну батарею та перевірте наявність пошкоджень. Не використовуйте прилад з ослабленими або пошкодженими частинами.
- Перевірте наявність пошкоджених частин, вирівнювання рухомих частин, зчеплення рухомих частин, а також будь-які інші умови, які можуть впливати на роботу. Перед подальшим використанням пристрою, інші пошкоджені частини, повинні бути ретельно перевірені, щоб визначити, що вони будуть працювати належним чином і виконувати свої функції. Кожна пошкоджена частина повинна бути відремонтована чи замінена в авторизованому сервісному центрі.
- Щоб знизити ризик травмування від рухомих частин пристрою, завжди зупиняйте пристрій, знімайте акумулятор. Переконайтеся, що всі рухомі частини зупинилися, та дайте пристрою охолонути, перед тим як:
  - залишати виріб без нагляду
  - перед чищенням або перед усуненням забивання
  - перед перевіркою, чищенням, або роботі на продукт
  - оглядом пристрою після всмоктування стороннього предмету
  - якщо машина починає аномально вібрувати
- Тримайте руки подалі від лез Не видаляйте обрізаний матеріал та не тримайте матеріал, що має різатись, руками, коли леза рухаються. Переконайтеся, що акумулятор знятий та тригер вийнятий, перш ніж видаляти застряглий матеріал з ріжучих частин. Не торкайтеся руками оголених ріжучих лез або різальних крайок, коли піднімаєте або утримуєте основний блок.
- Тримайте руки, обличчя та ноги на безпечній відстані від частин, що рухаються. Не торкайтеся та не намагайтеся зупинити ріжучі пластини, коли вони рухаються.





- Завжди зупиняйте двигун, якщо різання припиняється або коли йдете з одного місця різання до іншого.
- Тримайте пристрій чистим від залишків скошеної трави та інших матеріалів. Вони можуть застрягти у лезах.
- Завжди встановлюйте кожух на лезо, коли пристрій не використовується.
- Ніколи не занурюйте пристрій у воду або іншу рідину. Ручки повинні бути сухими, чистими і вільними від сміття.
- Транспортування та зберігання
- Ніколи не використовуйте пристрій з пошкодженими захисними кожухами, щитками або без запобіжних пристроїв.
- негайно вимкніть прилад та вийміть акумулятор у разі аварії або поломки. Не використовуйте прилад знову до проведення його повної перевірки в авторизованому сервісному центрі.
- Завжди використовуйте футляр для леза, при транспортуванні або зберіганні пристрою.
- Ретельно очистіть пристрій перед тим, як зберігати. Зберігайте прилад в сухому, добре провітрюваному та недоступному для дітей місці. Зберігати подалі від агресивних агентів, таких як садові хімікати і солей проти обледеніння.
- Заряджайте та зберігайте акумуляторні батареї в прохолодному приміщенні. Показники температури, що є більшими або меншими за звичайну кімнатну температуру, скорочують час експлуатації акумулятора.
- Заборонено зберігати акумуляторні батареї у розрядженому стані. Дочекайтеся поки акумуляторна батарея охолоне та одразу зарядіть.
- Для транспортування, забезпечіть машину від руху або падіння, щоб запобігти травми людей або пошкодження машини.

### ПЕРЕВЕЗЕННЯ ЛІТЄВИХ БАТАРЕЙ

Здійсніть транспортування акумуляторної батареї відповідно до місцевих та загальнодержавних норм і правил.

Дотримуйтеся всі спеціальні вимоги до упаковки і маркування при транспортуванні батареї третьою стороною. Переконайтеся, що під час транспортування акумулятор не вступає в контакт з іншими акумуляторними батареями або струмопровідними матеріалами та захистіть відкриті роз'єми ізоляційними непровідними кришками або стрічкою. Чи не переносьте акумулятори, тріснути або бігу. Зв'яжіться з нами для отримання подальших рекомендацій.

## ТЕХНІЧНЕ ОБСЛУГОВУВАННЯ

### ⚠ Попередження

Використовуйте тільки оригінальні запасні частини, аксесуари та обладнання від виробника. Невиконання цієї вимоги може привести до можливої травми, поганої продуктивності та може призвести до втрати гарантії.

### ⚠ Попередження

Обслуговування вимагає крайньої обережності і знання і повинно бути виконане тільки кваліфікованим фахівцем. Для обслуговування, доставте продукт до авторизованого сервісного центру. При технічному обслуговуванні використовуйте тільки ідентичні заміні частини.

- Використовуйте рукавички при роботі з ріжучими частинами.
- Використовуйте пристрій з обережністю. Тримайте край ріжучої пластини гострим та чистим для кращої роботи пристрою та зниження ризику травмування. Дотримуйтесь інструкцій щодо змащення і заміни приладдя. Тримайте ручки сухими, чистими, і вільними від масла і мастила.
- Вимкніть і вийміть акумулятор перед проведенням технічного обслуговування і чищення.
- Після кожного використання, очистіть основну частину і ручки продукту м'якою сухою тканиною.
- Після кожного використання, очистіть леза від сміття жорсткою щіткою, а потім ретельно нанесіть мастило від іржі перед установкою протектора леза. Виробник рекомендує використовувати антикорозійний та змащувальний спрей для нанесення рівним шаром та зменшення ризику травм внаслідок контакту з лезами. Для отримання інформації про відповідний аерозольний продукт, зв'яжіться з вашим місцевим уповноваженим сервісним центром.
- Під час чищення пластикових частин уникайте використання розчинників. Більшість пластиків чутливі до різних типів технічних розчинників і можуть бути пошкоджені при їх використанні. Щоб видалити з виробу бруд, пил, масло або мастило, користуйтеся чистою тканиною.
- Завжди переконайтеся, що вентиляційні отвори знаходяться чистими від сміття.
- Періодично оглядайте ножі на предмет пошкоджень та зносу.
- Для заміни завжди використовуйте зазначені виробником леза.
- Для полегшення роботи та збільшення терміну служби ножа, змащуйте ріжучі пластини до і після кожного використання. Перед змащуванням пристрою, зніміть акумуляторну батарею та покладіть ріжучі пластини на рівну поверхню. Застосуйте легке мастило по краю верхнього ножа. Не змащуйте, коли пристрій працює.



## НЕПЕРЕДБАЧЕНІ РИЗИКИ

Навіть за належного використання інструмента неможливо повністю нейтралізувати певні фактори залишкового ризику. Наступні небезпеки можуть виникати при використанні продукту та оператору слід звернути особливу увагу, щоб уникнути наступного:

- Травми спричинені вібрацією.
  - Тримайте прилад за спеціально призначені ручки та лімітуйте час роботи із ним.
- Під впливом шуму може виникнути пошкодження слуху.
  - Надягайте захист для органів слуху та лімітуйте вплив.
- травми від контакту з лезами
  - Леза не можуть бути захищені під час різання. Тримайте лезо подалі від себе та інших. Завжди встановлюйте кожух на лезо, коли пристрій не використовується.

## ЗНИЖЕННЯ РИЗИКУ

Відомі випадки, коли вібрація від ручних інструментів сприяє появі так званого синдрому Рейно. Симптоми схожі на ті, що з'являються під впливом холоду, включаючи поколювання, оніміння та збліднення пальців. Вважається, що спадкові чинники, вплив холоду і сирості, харчування, куріння і деякі звички роботи сприяють розвитку цих симптомів. Можна прийняти деякі заходи, які можуть бути прийняті оператором, щоб зменшити вплив вібрації:

- Підтримувати температуру тіла в холодну погоду. При використанні інструменту надягайте рукавички, щоб тримати руки та зап'ястки у теплі. Згідно з дослідженнями, основний внесок в розвиток синдрому Рейно, є холодна погода.
- Вправа для активації кровообігу після кожного запуску.
- Регулярно йдуть на перерву. Лімітуйте кількість роботи на день.
- Якщо ви виявили будь-який з цих симптомів, негайно припиніть використання і зверніться до вашого лікаря згідно цих симптомів.

## ⚠ Попередження

Тривале використання інструменту може призвести до травмування або загострення існуючої травми. При використанні приладу протягом тривалого періоду часу, часті перерви.

## ЗНАЙ СВІЙ ПРОДУКТ

Дивіться сторінку 139.

1. Задня ручка
2. Кнопка блокування запуску
3. Клямка
4. Лезо газонних ножиць
5. Футляр леза газонних ножиць
6. Лезо кущоріза
7. Футляр леза кущоріза

8. Акумуляторна батарея
9. Кнопка засувки акумулятора
10. Зарядний пристрій
11. Ручка кріплення леза
12. Держак леза
13. Гумова кришка порту сокетa

## СИМВОЛИ НА ПРОДУКТІ

-  Попередження
-  Читайте і зрозумійте всі інструкції перед експлуатацією виробу, дотримуйтесь всіх вказівок і попереджень з техніки безпеки.
-  Одягайте захисні окуляри
-  Одягайте засоби для захисту слуху.
-  Носіть нековзані, надміцні захисні рукавички.
-  Не піддавайте впливу дощу або вогкому стану.
-  Для запобігання серйозних травм не торкайтеся лез.
-  Остерігайтеся кинутих або літаючих об'єктів. Тримайте всіх перехожих, особливо дітей і домашніх тварин, принаймні 15 м від робочої зони.
-  Попередження! Ріжучі частини продовжують працювати, після того як двигун вимкнено.
-  Не викидати відпрацьовані електричні прилади разом із побутовими відходами. Утилізувати у спеціально призначених закладах. За консультацією по утилізації приладу зверніться до органу місцевої влади або дилера
-  Відповідає всім нормативним стандартам в країнах ЄС, де виріб було придбано.



Євразійська знак відповідності.



Український знак відповідності



Гарантований рівень звуку, показаний на цьому малюнку, становить 86 дБ.

Наступні сигнальні слова і змісти призначені для пояснення рівнів ризику, пов'язаних з продуктом.

**⚠ НЕБЕЗПЕКА**

Вказує на неминуче небезпечну ситуацію, яка, якщо її не уникнути, може призвести до смерті або серйозних травм.

**⚠ Попередження**

Вказує на потенційно небезпечну ситуацію, яка, якщо її не уникнути, може призвести до смерті або серйозних травм.

**⚠ УВАГА**

Вказує на потенційно небезпечну ситуацію, яка, якщо її не уникнути, може призвести до легкої або середньої травми.

**УВАГА**

Без попереджуючих символів

Вказує на ситуацію, яка може призвести до пошкодження майна.

**СИМВОЛИ В ЦЬОМУ ПОСІБНИКУ**



Запчастини та аксесуари, що продаються окремо



ПРИМІТКА



Попередження

Kablosuz çim makası/funda kesme makinesinin tasarımında en yüksek önceliği güvenlik, performans ve güvenilirliğe verdik.

## KULLANIM AMACI

Kablosuz çim makası/funda kesici sadece dış mekanda, iyi havalandırılan bir alanda kullanılmak için üretilmiştir.

Ürün evde veya domestik kullanım için tasarlanmıştır.

Ürün makas eklentisiyle kullanıldığında, çimen ve otların hafif kesimi için geliştirilmiştir.

Ürün funda kesme eklentisiyle kullanıldığında, fundaların, çitlerin ve çalıkların hafif kesimi için geliştirilmiştir.

Başka herhangi bir amaçla kullanmayın.

## GENEL GÜVENLİK UYARILARI

### ⚠ UYARI

**Tüm güvenlik uyarılarını ve tüm talimatları okuyun.** Uyarılara ve talimatlara uymamak elektrik çarpması, yangın ve/veya ciddi yaralanma ile sonuçlanabilir.

**İleride başvurmak üzere tüm uyarıları ve talimatları saklayın.**

Uyarılarda yer alan "elektrikli alet" terimi şebeke gücüyle çalıştırılan (kablolu) elektrikli aleti veya pille çalıştırılan (kablosuz) elektrikli aleti ifade eder.

### Çalışma alanı güvenliği

- **Çalışma alanını temiz tutun ve iyi şekilde aydınlatın.** Dağınık veya karanlık alanlar kazaya davetiye çıkarır.
- **Elektrikli aletleri yanıcı sıvıların, gazların veya tozun mevcut olduğu patlayıcı atmosferlerde kullanmayın.** Elektrikli aletler tozu veya buharları ateşleyebilecek kıvılcımlar oluşturur.
- **Bir elektrikli alet kullanırken çocukları ve çevredeki insanları uzaklaştırın.** Dikkat dağınıklığı kontrolü kaybetmenize neden olabilir.

### Elektriksel güvenlik

- **Elektrik fişleri prize uygun olmalıdır. Fişi hiçbir zaman hiçbir şekilde değiştirmeyin. Topraklı elektrikli aletlerle birlikte herhangi bir adaptörlü fiş kullanmayın.** Üzerinde değişiklik yapılmayan fişler ve uygun prizler elektrik çarpması riskini azaltır.
- **Vücudunuzla borular, radyatörler, kuzine ve buzdolabı gibi topraklı ürünlere temas etmekten kaçının.** Vücudunuz topraklanırsa yüksek elektrik çarpması riski mevcuttur.
- **Ürünü yağmura veya ıslak koşullara maruz bırakmayın.** Elektrikli alete su girmesi elektrik çarpması riskini artırır.
- **Kabloyu amacı dışında kullanmayın. Kabloyu hiçbir zaman elektrikli aleti taşımak, çekmek veya fişten çıkarmak için kullanmayın. Kabloyu ısıdan, yağdan, keskin kenarlardan veya hareketli parçalardan uzak tutun.** Hasarlı veya dolanmış kablolar elektrik çarpması riskini artırabilir.
- **Bir elektrikli aleti açık alanda kullanırken açık alanda**

**kullanıma uygun bir uzatma kablosu kullanın.** Açık alanda kullanıma uygun bir kablo kullanmak elektrik çarpması riskini azaltır.

- **Eğer bir elektrikli aleti nemli bir yerde kullanmanız kaçınılmazsa bir artık akım cihazı (RCD) korumalı kaynak kullanın.** Bir RCD kullanmak elektrik çarpması riskini azaltır.

### Kişisel güvenlik

- **Bir elektrikli alet kullanırken dikkatli olun, yaptığınız işe dikkat edin ve sağduyulu olun. Yorgunken veya uyuşturucu, alkol veya ilaç etkisi altındayken bir elektrikli alet kullanmayın.** Elektrikli aletleri kullanırken bir anlık dikkatsizlik ciddi fiziksel yaralanma ile sonuçlanabilir.
- **Kişisel koruyucu ekipman kullanın. Koruyucu gözlük takın.** Uygun koşullarda kullanılan toz maskesi, kaymaz güvenlik ayakkabıları, kask veya kulak tıkaçı fiziksel yaralanma riskini azaltacaktır.
- **Kazara çalıştırılmasını önleyin. Aleti yerinden alırken veya taşırken güç kaynağına ve/veya pil takımına bağlamadan önce anahtarın kapalı konumda olduğundan emin olun.** Elektrikli aletleri parmağınızın anahtarın üzerindeyken veya anahtarlı elektrikli aletlerin gücü açıkken taşımak tehlikeye davetiye çıkarır.
- **Elektrikli aleti açmadan önce ayar kamasını veya anahtarını çıkartın.** Bir ayar anahtarının veya kamanın elektrikli aletin döner parçasına takılı hâlde bırakılması fiziksel yaralanma ile sonuçlanabilir.
- **Yukarıya doğru erişmeye çalışmayın. Yere sağlam basın ve dengeyi her zaman koruyun.** Bu, beklenmedik durumlarda gücün daha iyi kontrol edilmesini sağlar.
- **Uygun şekilde giyinin. Bol kıyafet giymeyin veya takı takmayın. Saçınızı, kıyafetinizi ve eldivenlerinizi hareketli parçalardan uzak tutun.** Bol kıyafetler, takı veya uzun saç hareketli parçalara yakalanabilir.
- **Eğer toz tahliye ve toplama aparatları için bağlantı cihazları sağlanmışsa bunların doğru şekilde bağlandığından ve kullanıldığından emin olun.** Toz toplama aparatı kullanmak tozdan kaynaklanan tehlikeleri azaltabilir.

### Elektrikli alet kullanımı ve bakımı

- **Elektrikli aletin kapasitesini zorlamayın. Uygulamanız için doğru elektrikli aleti kullanın.** Doğru elektrikli alet tasarlandığı işi daha iyi ve daha güvenli bir şekilde yapacaktır.
- **Eğer anahtar açılıp kapanmıyorsa makineyi kullanmayın.** Anahtarla kontrol edilemeyen her elektrikli alet tehlikelidir ve onarılmalıdır.
- **Herhangi bir ayar yapmadan, aksesuarları değiştirmeden veya elektrikli aletleri depolamadan önce fişi güç kaynağından ve/veya pil takımını elektrikli aletten ayırın.** Bu gibi önleyici güvenlik tedbirleri elektrikli aletin kazara çalışma riskini azaltır.
- **Boş konumda olan elektrikli aletleri çocukların ulaşamayacağı yerde depolayın ve elektrikli aleti tanımayan veya bu talimatları bilmeyen kişilerin elektrikli aleti kullanmasına izin vermeyin.** Elektrikli

aletler eğitimsiz kullanıcıların elinde tehlikelidir.

- **Elektrikli aletlerin bakımını yapın.** Hareketli parçaların hiza kaymasını ve bağlantısını, parçaların kırık olup olmadığını ve elektrikli aletin çalışmasını etkileyebilecek diğer durumları kontrol edin. Eğer hasarlıysa elektrikli aleti kullanmadan önce onartın. Pek çok kaza bakımı kötü yapılmış elektrikli aletlerden kaynaklanır.
- **Kesici aletleri keskin ve temiz tutun.** Uygun şekilde bakımı yapılan keskin kesme kenarlarına sahip kesme aletlerinin sıkışma olasılığı daha azdır ve kontrol edilmesi daha kolaydır.
- **Elektrik aleti, aksesuarları ve alet uçlarını vb. çalışma koşullarını ve yapılacak çalışmayı dikkate alarak bu talimatlara uygun şekilde kullanın.** Elektrikli aleti amaçlananlar dışındaki çalışmalar için kullanmak tehlikeli bir durumun oluşmasına yol açabilir.

#### Pilli alet kullanımı ve bakımı

- **Sadece üretici tarafından belirtilen şarj cihazı ile şarj edin.** Tek bir pil takımı tipine uygun bir şarj cihazı başka bir pil takımı ile birlikte kullanıldığında yangın riski oluşturabilir.
- **Elektrikli aletleri sadece özel olarak belirtilmiş pil takımları ile birlikte kullanın.** Başka bir pil takımı kullanmak yaralanma ve yangın riski oluşturabilir.
- **Pil takımı kullanılmadığı zaman atış, bozuk para, anahtar, çivi, vida ve diğer metal nesnelere gibi bir terminalden diğerine bağlantı oluşturabilecek diğer metal nesnelere uzak tutun.** Pil terminallerinin birlikte kısa devre yapması yangına veya yangına neden olabilir.
- **Kötü koşullarda pilden sıvı boşalabilir; temas etmekten kaçının. Eğer kazara temas ederseniz temas eden yeri suyla yıkayın. Eğer sıvı gözlerinize temas ederse ek olarak tıbbi yardım alın.** Pilden boşalan sıvı tahrişe veya yanıklara neden olabilir.

#### SERVİS

- **Elektrikli aletinizi sadece aynı yedek parçaları kullanarak nitelikli bir tamirciye onartın.** Bu, elektrikli aletin güvenliğinin muhafaza edilmesini sağlar.

#### OT MAKASI/FUNDA KESİCİ GÜVENLİK UYARILARI

##### ⚠ UYARI

Kesici aksam motor kapandıktan sonra da çalışmaya devam eder.

#### EĞİTİM

- Talimatları dikkatlice okuyun. Ürünün kontrollerini ve nasıl doğru şekilde kullanılacağını öğrenin.
- Hiçbir zaman çocukların, fiziksel, duyuşsal veya zihinsel becerileri kısıtlı veya tecrübesiz ve bilgisi yetersiz kişilerin veya bu talimatları bilmeyen insanların bu ürünü kullanmasına izin vermeyin. Yerel yönetmelikler kullanıcının yaşına kısıtlama getirebilir.
- Kazalardan ve diğer insanlara veya mallarına zarar verebilecek tehlikelerden kullanıcının sorumlu olduğunu

unutmayın.

#### HAZIRLIK

- Her kullanımdan önce makineyi inceleyin. Kullanmadan önce hasarlı parçaları değiştirin.
- Her kullanımdan önce kesilecek alanı boşaltın. Kesici aksamı girebilecek ya da sıkışabilecek ip, ampul, tel veya kablo gibi bütün cisimleri uzaklaştırın.
- Ürünü hiçbir zaman yakın insanlar, özellikle çocuklar veya hayvanlar varken kullanmayın.
- Çatlaklı, yontulmuş ya da hasar görmüş kesme bıçakları ya da diğer parçaları değiştirin. Kesici aksamın düzgün şekilde takılı olduğundan ve güvenli şekilde sıkıştırıldığından emin olun. Aksi halde operatör ya da izleyiciler yaralanabilir ve ünite hasar görebilir.
- Eğer "kapalı" anahtarı ürünün durduruyorsa ürünü kullanmayın. Anahtarla kontrol edilemeyen her elektrikli alet tehlikelidir ve onarılmalıdır.
- Ürünü çalıştırmadan önce ayar takım ve anahtarlarının çıkarılıp çıkarılmadığını denetlemeyi alışkanlık haline getirin.

#### KULLANIM

- Yaralanma riskini düşürmek için, ürünü kullanırken mutlaka eksiksiz göz koruma, ayakkabı ve koruyucu giysi kullanın.
- Uygun şekilde giyinin. Bol giysiler veya gevşek takılar kullanmayın; bunlar hareketli aksamı sıkışabilir. Açık havada çalışırken eldiven, gerekli ayakkabı ve uzun pantolon giymek tavsiye edilir.
- Ürünü kötü hava koşullarında, özellikle yıldırım düşme riski varken kullanmaktan kaçının.
- Motoru ancak el ve ayaklar kesici aksamın uzağındayken çalıştırın.
- Kesici aksamın el ve ayakları yaralamasına dikkat edin.
- Her zaman çevrenizden haberdar olun ve makinenin gürültüsünden dolayı duymayacağınız olası tehlikelere karşı tetikte olun.
- Hiçbir zaman eksik veya izin verilmeyen bir değişiklik yapılmış makineyi kullanmaya çalışmayın.

#### ÇİT BUDAMA MAKİNESİ GÜVENLİK UYARILARI

- **Tüm vücut parçalarını kesme bıçağından uzak tutun.** Bıçaklar hareket halindeyken kesilmiş malzemeyi çıkarmayın ya da kesilecek malzemeyi tutmayın. Sıkışmış malzemeyi çıkarmaya çalışırken güç anahtarının kapalı olduğundan emin olun. Ürünü kullanırken bir anlık dikkatsizlik ciddi kişisel yaralanmaya yol açabilir.
- **Ürünü kesici bıçaklar durmuş konumda, kulbundan tutarak taşıyın.** Çit budama makinesini taşıırken ya da depolarken her zaman kesme aleti kılıfını kullanın. Ürünün doğru kullanılması kesici aksamdan bedensel yaralanma ihtimalini düşürür.
- **Kesici aksam gizli teller ya da kendi kablosuyla temas edebileceği için elektrikli aleti sadece yalıtılmış kavrama yüzeylerinden tutun.** Kesici aksamın "akımlı" bir telle temas etmesi elektrikli





aletin ağırlıkta metal kısımlarının "akımlı" olmasına ve operatörün elektrik çarpmasına maruz kalmasına neden olabilir.

- **Kabloyu kesim alanından uzak tutun.** Çalışma esnasında kablo çalırların arasında saklı olabilir ve bıçak tarafından kaza ile kesilebilir.
- Çiti tel örgü gibi yabancı maddeler açısından kontrol edin.

## EK GÜVENLİK UYARILARI

- Kazara çalışmayı önlemek için, ürünü asla parmağınız tetikte taşımayın.
- Kalın ve uzun pantolon, sağlam ayakkabı ve iyi uyan eldiven kullanın. Kısa pantolon ve sandalet kullanmayın, yalınayak çalışmayın.
- Pil takımını takmadan önce anahtarın kapalı konumunda bulunduğundan emin olun. Anahtar açık konumundayken ürüne pil takımını takmak, yangın davet eder.
- Kötü aydınlatılmalı koşullarda kullanmayın. Ürünü gün ışığında ya da iyi yapay aydınlatmayla kullanın.
- Yere sağlam basın ve dengede durun. Yukarıya doğru erişmeye çalışmayın. Yukarıya erişmeye çalışmak dengeyi kaybetmenize neden olabilir. Eğimli yerlerde yere her zaman sağlam bastığınızdan emin olun. Yürüyün, hiçbir zaman koşmayın.
- Ürünü zorlamayın. Tasarlandığı hızda çalışmayı daha iyi ve daha güvenli bir şekilde yapacaktır.
- Ürünü çalıştırmadan önce, kesici aksamın hiçbir şeyle temas etmeyeceğinden emin olun. Kesici aksam yabancı cisimlere çarpar ya da dolanırsa ürünü derhal durdurun, pil takımını çıkarın ve hasarı kontrol edin. Gevşek ya da hatalı parçası bulunan ürünü çalıştırmayın.
- Hasarlı parçaları, hareketli aksamın hizalanmasını ve bağlantılarını ve çalışmayı etkileyebilecek diğer bütün koşulları gözden geçirin. Ürünü yeniden kullanmaya başlamadan önce, gerektiği gibi çalışıp belirlenen işlevini yerine getirip getirmeyeceğini belirlemek için diğer parçaların hasar görüp görmediği de dikkatle gözden geçirilmelidir. Her türlü hasarlı aksam yetkili bir servis merkezi tarafından gerektiği gibi onarılmalı ya da değiştirilmelidir.
- Hareketli aksamla temastan kaynaklanacak yaralanma risklerini azaltmak için, aşağıdaki işlemlere başlamadan önce mutlaka ürünü durdurun, pil takımını çıkarın ve tüm dönem aksamın durduğundan emin olun ve ürünü soğumasını bekleyin:
  - ürün gözetimsiz bırakıldığında
  - temizlik yapmadan veya bir tıkanıklığı açmadan önce
  - ürünü kontrol etmeden, bakım veya başka bir çalışma yapmadan önce
  - yabancı bir cisme çarptıktan sonra ürünü denetlenmesi
  - eğer ürünler anormal şekilde titremeye başlarsa
- Ellerinizi bıçaklardan uzak tutun. Bıçaklar hareket halindeyken kesilmiş malzemeyi çıkarmayın ya da kesilecek malzemeyi tutmayın. Kesici aksama sıkışan maddeleri temizlerken pil takımının çıkarıldığında ve

tetiğin serbest bırakıldığından emin olun. Ana üniteyi kaldırır ya da tutarken görünen kesme bıçakları ya da kesme kenarlarını ellerinizle kavramayın.

- Ellerinizi, yüzünüzü ve ayaklarınızı hareketli aksamdan güvenli bir mesafede bulundurun. Dönen kesme kanatlarına dokunmayın ya da durdurmaya çalışmayın.
- Kesme işlemi ertelendiğinde ya da bir kesim alanından diğerine giderken mutlaka motoru durdurun.
- Ürünü çimen kesiklerinden ve diğer maddelerden arındırın. Eliniz bıçaklara takılabilir.
- Ürün kullanılmadığında her zaman bıçak kılıfını kullanın.
- Ürün üzerine asla su ya da başka bir sıvı atmayın ya da fişkırtmayın. Tutamakları kuru, temiz ve kirden uzak tutun.
- Taşıma ve depolama
- Ürünü hiçbir zaman kusurlu korumalar veya siperlerle birlikte veya güvenlik cihazları.
- Kaza veya arıza durumunda makineyi hemen kapatın ve batarya takımını çıkartın. Yetkili servis merkezi tarafından kontrol edilene dek ürünü tekrar çalıştırmayın.
- Ürünü taşıyın ya da depolarken, mutlaka ürüne bıçak kılıfını takın.
- Depolamadan önce mutlaka ürünü temizleyin. Ürünü çocukların erişemeyecekleri kuru ve iyi havalandırılan bir yerde depolayın. Bahçe kimyasalları ve buz çözücü tuzlar gibi korozif maddelerden uzak tutun.
- Pil takımlarını serin bir yerde depolayıp değiştirin. Normal oda sıcaklığının üzerinde ya da altındaki ısılar pil takımının ömrünü kısaltır.
- Pil takımlarını asla boşalmış halde depolamayın. Pil takımının soğumasını bekleyin ve derhal şarj edin.
- Taşınacağı zaman insanların yaralanmasını veya ürünün zarar görmesini önlemek amacıyla ürünü hareket etmemesi veya düşmemesi için sabitleyin.

## LİTYUM BATARYALARIN TAŞINMASI

Bataryayı yerel ve ulusal hükümlere ve yönetmeliklere uygun şekilde taşıyın.

Bataryalar üçüncü bir şahıs tarafından taşındığında ambalaj ve etiket üzerindeki tüm özel koşullara uyun. Ağırlıkta konnektörleri yalıtkan, iletken olmayan başlıklar veya bant ile koruyarak hiçbir bataryanın taşıma sırasında diğer bataryalarla veya iletken malzemelerle temas etmediğinden emin olun. Çatlak veya sızdıran bataryaları taşımayın. Ek tavsiye için nakliye şirketi ile birlikte kontrol edin.

## BAKIM

### ⚠ UYARI

Sadece orijinal üreticinin yedek parçalarını, aksesuarlarını ve ek parçalarını kullanın. Aksi hâlde olası yaralanmalara, zayıf performansa neden olabilir ve garantinizi geçersiz kılabılır.

EN

FR

DE

ES

IT

NL

PT

DA

SV

FI

NO

PL

RU

CS

HU

RO

LV

LT

ET

HR

SL

SK

BG

UK

TR



### ⚠ UYARI

Servis çalışması en yüksek düzeyde dikkat ve bilgi gerektirir ve sadece nitelikli bir servis teknisyeni tarafından yapılmalıdır. Servis için ürünü onarım amacıyla size en yakın yetkili servis merkezi'ne göndermenizi öneriyoruz. Servis yapılırken sadece aynı yedek parçaları kullanın.

- Kesici aksama bakım yaparken eldiven kullanın.
- Ürünün bakımını eksik bırakmayın. En iyi performansı sağlamak ve yaralanma riskini düşürmek için bıçak ağızlarının temiz ve keskin olmasına dikkat edin. Yağlama ve aksesuar değişimi için talimatlara uyun. Makineyi kuru, temiz ve yağdan ve gresten arındırılmış hâlde tutun.
- Bakım ya da temizlik işlemi için ürünü kapatın ve pil paketini çıkarın.
- Her kullanım sonrası ürünün gövdesini ve kulplarını yumuşak ve kuru bir bezle temizleyin.
- Her kullanımdan sonra bıçaklardaki kalıntıları sert bir fırça ile temizleyin ve ardından, bıçak koruyucuyu tekrar takmadan önce dikkatlice, paslanma önleyici bir yağlama maddesi sürün. Üretici, eşit bir dağıtım sağlamak ve bıçaklara temas nedeniyle yaralanmayı önlemek için bir paslanma önleyici ve yağlama spreyi kullanmanızı tavsiye etmektedir. Uygun sprey ürünü hakkında bilgi almak için yerel yetkili servis merkezinizle görüşün.
- Plastik parçaları temizlerken çözücü kullanmaktan kaçının. Plastik parçaların büyük bölümü çeşitli tipte ticari çözücülerden kaynaklı hasara duyarlıdır ve kullanılmaları nedeniyle zarar görebilir. Kiri, tozu, yağı, gresi vb. gidermek için temiz bez kullanın.
- Havalandırma girişlerinin her zaman biriktikten arındırılmış hâlde tutulduğundan emin olun.
- Bıçakları periyodik olarak hasara ve aşınmaya karşı inceleyin.
- Her zaman üreticinin belirttiği yedek bıçakları kullanın.
- Daha kolay kullanım ve daha uzun bıçak ömrü için her kullanımdan önce ve sonra bıçakları yağlayın. Yağlamadan önce pil takımını çıkarın ve kesici bıçakları düz bir yüzey üzerine yerleştirin. Üst bıçağın kenarı boyunca hafif makine yağı uygulayın. Ürün çalışırken yağlamayın.

### ARTIK RİSKLER

- Ürün belirtilen şekilde kullanıldığında bile belirli artık risk faktörlerini tamamen ortadan kaldırmak mümkün değildir. Kullanım sırasında aşağıdaki tehlikeler ortaya çıkabilir ve kullanıcının aşağıdaki durumları önlemek için özellikle dikkatli olması gerekir:
- Titreşim nedeniyle yaralanma.
    - Ürünü belirtilen tutamaklardan tutun ve ürüne çalışma ve ürüne maruz kalma süresini kısa tutun.
  - Gürültüye maruz kalma nedeniyle işitme kaybı meydana gelebilir.
    - Kulak tıkacı takın ve maruz kalma süresini sınırlandırın.

- bıçaklara temastan yaralanmalar
  - Bıçak kesim sırasında korunamaz. Bıçağı kendinizden ve başkalarından uzak tutun. Ürün kullanılmadığında her zaman bıçak kılıfını kullanın.

### RİSK AZALTMA

El aletlerinden kaynaklanan titreşimlerin belirli kişilerde Raynaud Sendromu adı verilen bir durumu etkilediği bildirilmiştir. Semptomlar içerisinde parmaklarda genellikle soğuğa maruz kaldığında açığa çıkan karıncalanma, hissizlik ve ağama yer bulunabilir. Kalıtsal faktörler, soğuğa ve neme maruz kalma, diyet, sigara içme ve çalışma uygulamalarının hepsinin bu semptomların gelişimini etkilediği düşünülmektedir. Titreşim etkilerini azaltmak için kullanıcı tarafından alınabilecek önlemler vardır:

- Soğuk havada vücut ısınızı koruyun. Ürünü kullanırken ellerinizi ve bileklerinizin sıcak tutmak için eldiven giyin. Soğuk havanın Raynaud Sendromu'nu etkileyen önemli bir faktör olduğu bildirilmiştir.
- Her kullanım süresinden sonra kan dolaşımını artırmak için egzersiz yapın.
- Sık çalışma molası verin. Günlük maruz kalma miktarını sınırlayın.
- Eğer bu durumla ilgili herhangi bir semptom görürseniz çalışmayı derhal bırakın ve bu semptomlar hakkında doktorunuza başvurun.

### ⚠ UYARI

Ürünün uzun süre kullanılması nedeniyle yaralanmalar meydana gelebilir veya kötüleşebilir. Herhangi bir alet uzun süre kullanıldığında düzenli molalar verdiğinizden emin olun.

### ÜRÜNÜZÜ TANIYIN

Bkz. sayfa 139.

1. Arka kulp
2. Tetik kilitleme düğmesi
3. Tetik
4. Çim makası bıçağı
5. Çim makası bıçağı kılıfı
6. Funda bıçağı
7. Funda bıçağı kılıfı
8. Pil
9. Mandallı batarya düğmesi
10. Şarj cihazı
11. Bıçak tespit düğmesi
12. Bıçak direği
13. Lastik soket giriş kapağı

### ÜRÜN ÜZERİNDEKİ SEMBOLLER



Güvenlik ikazı



Ürünü kullanmadan önce tüm talimatları okuyun ve anlayın, tüm uyarılara ve güvenlik talimatlarına uyun.



Koruyucu gözlük takın.



Kulak tıkacı takın.



Kaymaz, ağır iş eldiveni giyin.



Ürünü yağmura veya nemli koşullara maruz bırakmayın.



Ciddi yaralanmaları önlemek için kesme bıçaklarına dokunmayın.



Fırlayan ve sıçrayan nesnelere dikkat edin. Üçüncü şahısları, özellikle çocukları ve evcil hayvanları çalışma alanından en az 15 m uzakta tutun.



İkaz! Kesici aksam motor kapandıktan sonra da çalışmaya devam eder.



Atık elektrikli ürünler evsel atıklarla birlikte atılmamalıdır. Lütfen tesislerin mevcut olduğu yerlerde geri dönüştürün. Geri dönüşüm tavsiyesi için bölgenizdeki yetkili merciyeye veya satıcıya başvurun.



Ürünün satın alındığı AB ülkesindeki tüm düzenleyici standartlara uygundur.



EurAsian Uygunluk İşareti



Ukrayna uygunluk işareti.



Güvenceli ses gücü seviyesi bu etikette 86 dB olarak gösterilmektedir.

Aşağıdaki işaret sözcükler ve anlamları bu ürünle ilişkili risk seviyelerinin açıklanmasına yöneliktir.

#### ⚠ TEHLİKE

Önlenmemesi durumunda ölüm veya ciddi yaralanma ile sonuçlanacak ciddi tehlike içeren bir durumu gösterir.

#### ⚠ UYARI

Önlenmemesi durumunda ölüm veya ciddi yaralanma ile sonuçlanabilecek potansiyel olarak tehlikeli bir durumu gösterir.

#### ⚠ İKAZ

Önlenmemesi durumunda önemsiz veya orta derece yaralanma ile sonuçlanabilecek potansiyel olarak tehlikeli bir durumu gösterir.

#### İKAZ

Güvenlik uyarısı sembolü olmadığında Maddi hasarla sonuçlanabilecek bir durumu gösterir.

#### BU KILAVUZDAKİ SEMBOLLER



Ayrı satılan parçalar veya aksesuarlar



Not



Uyarı

EN

FR

DE

ES

IT

NL

PT

DA

SV

FI

NO

RU

PL

CS

HU

RO

LV

LT

ET

HR

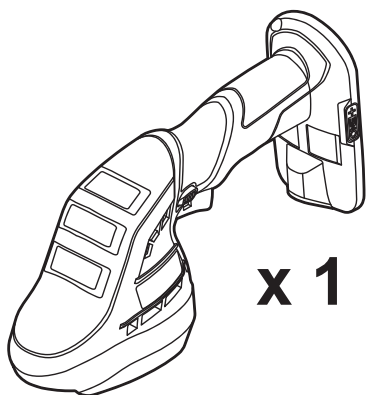
SL

SK

BG

UK

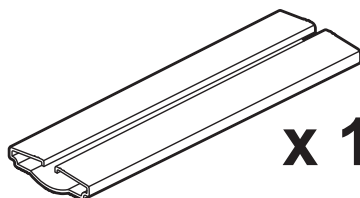
TR



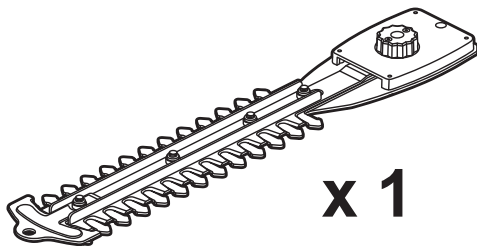
**x 1**



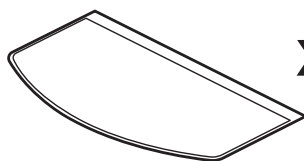
**x 1**



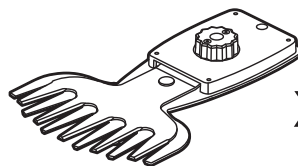
**x 1**



**x 1**



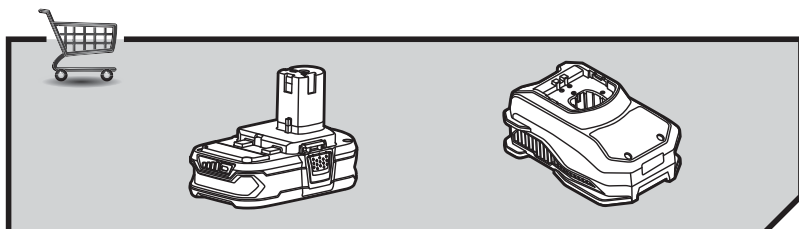
**x 1**

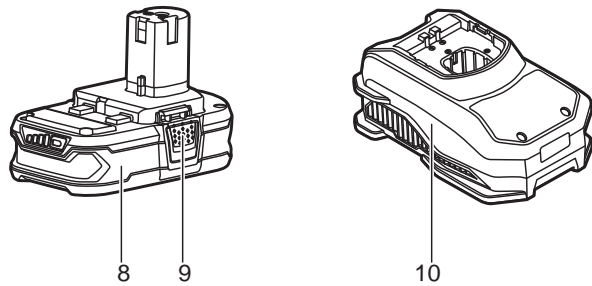
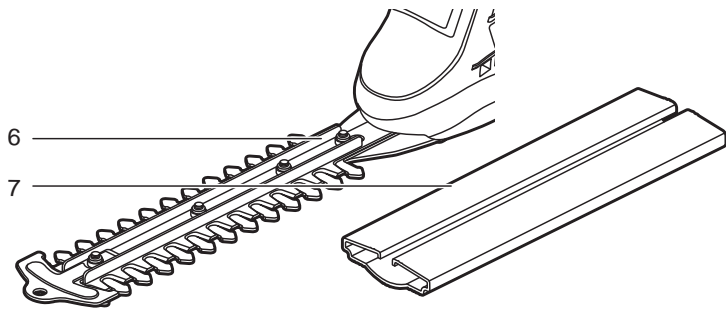
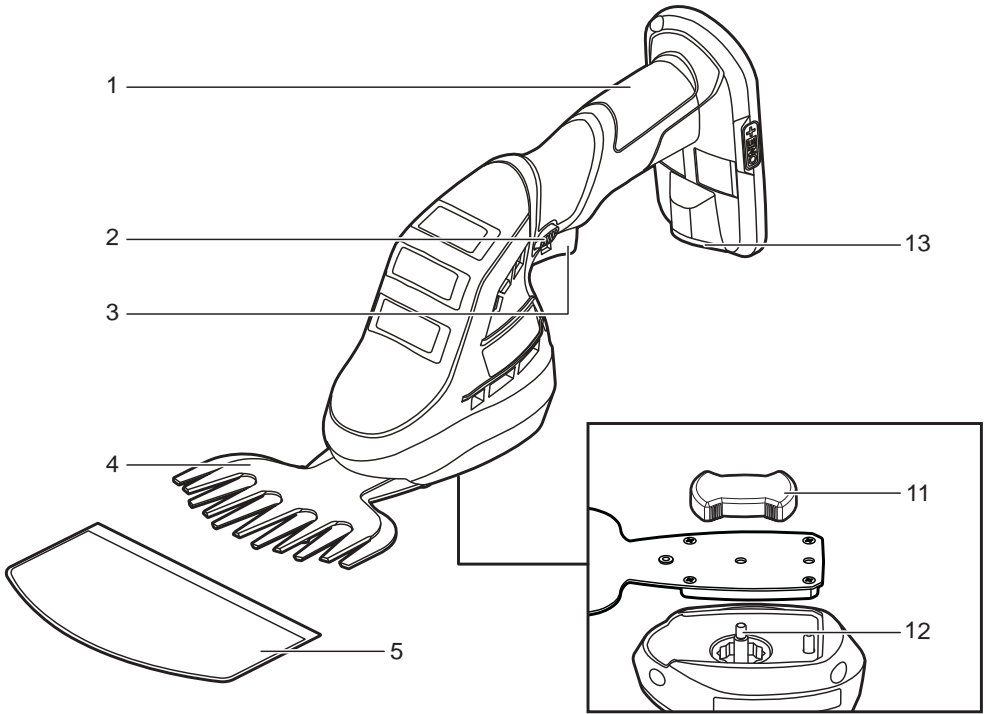


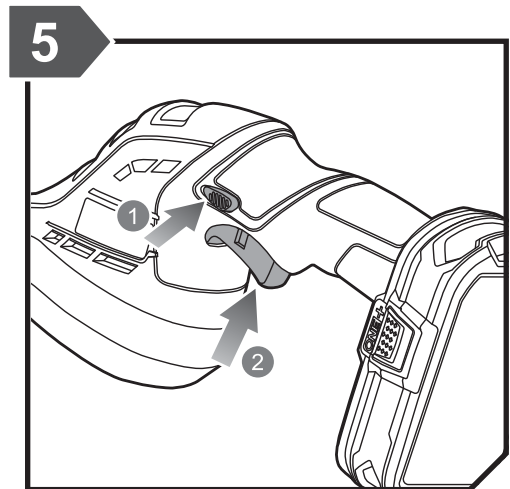
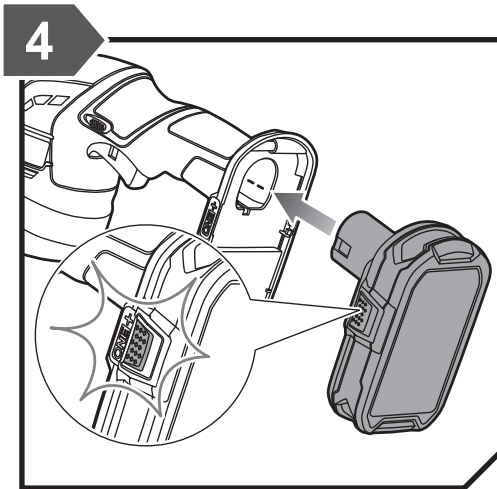
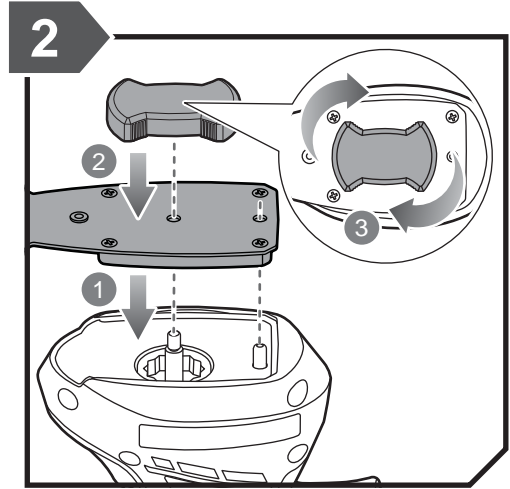
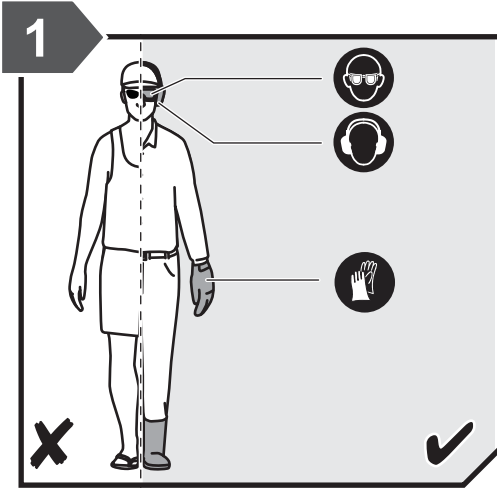
**x 1**



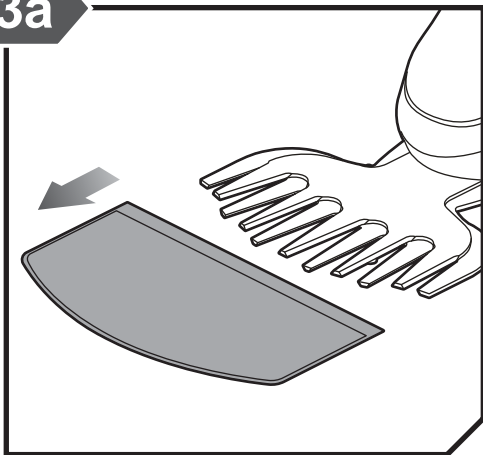
**x 1**



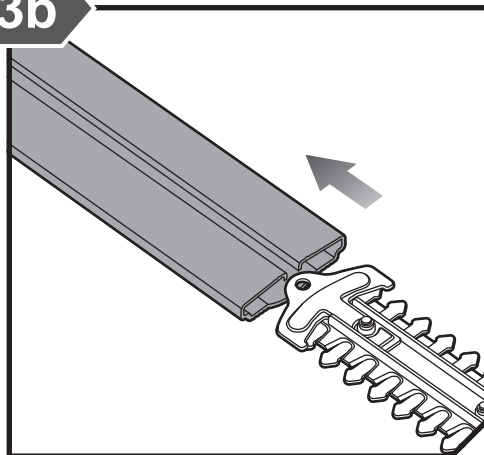


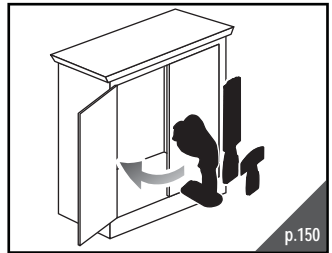
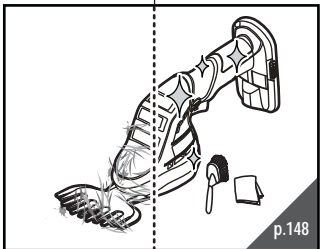
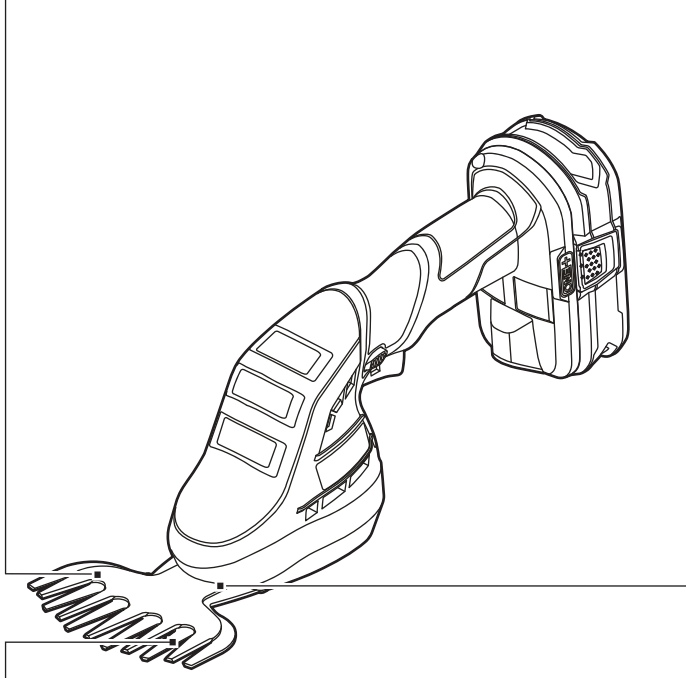
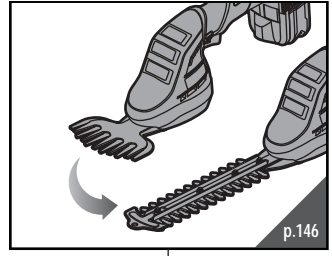
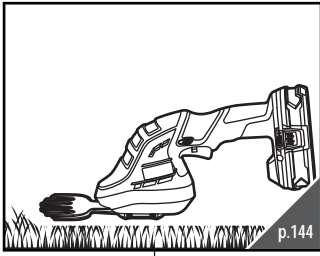


3a

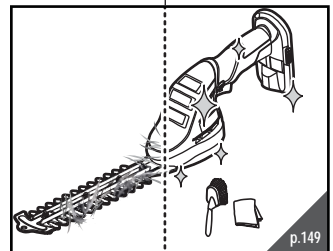
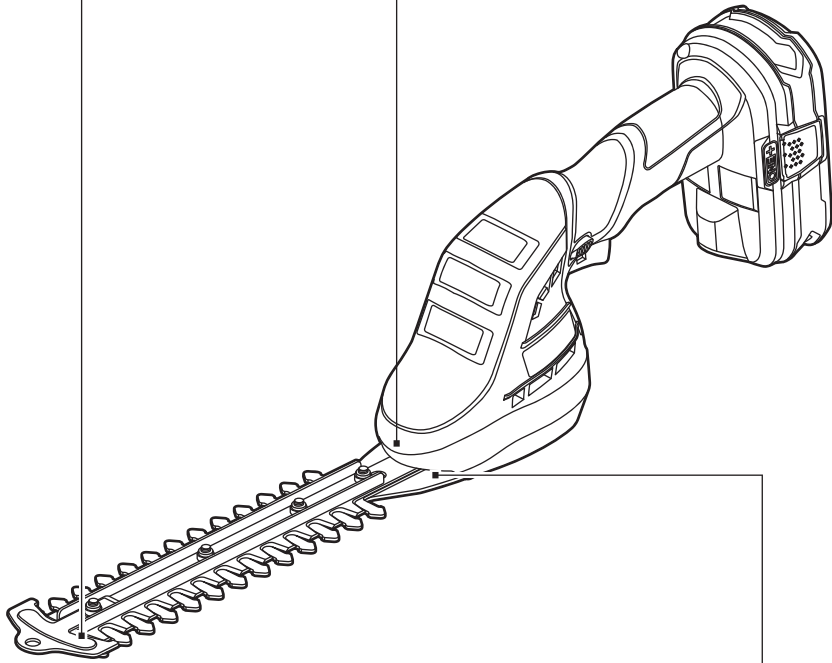
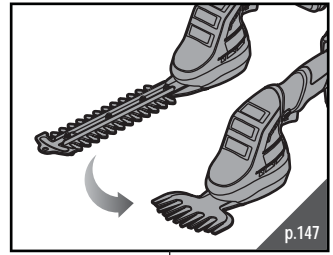
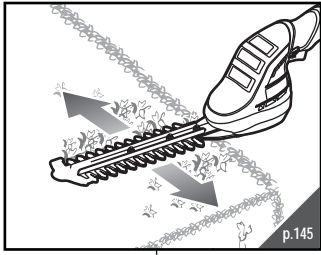


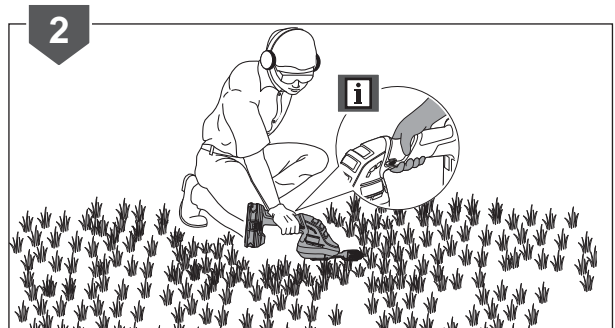
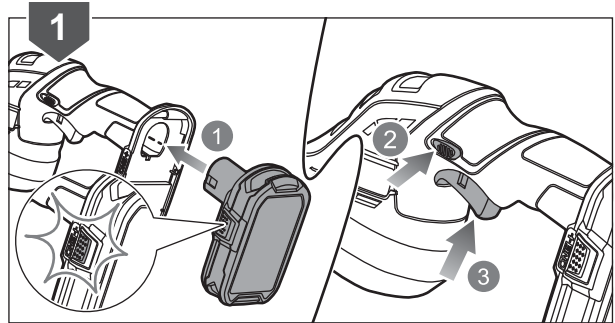
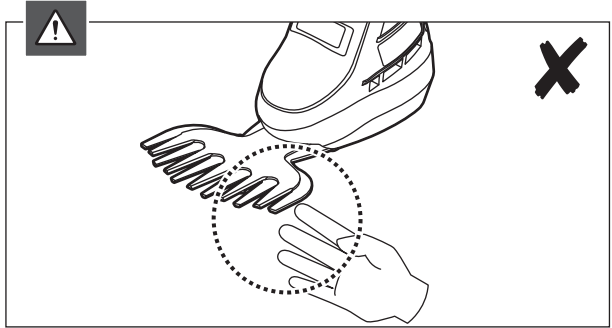
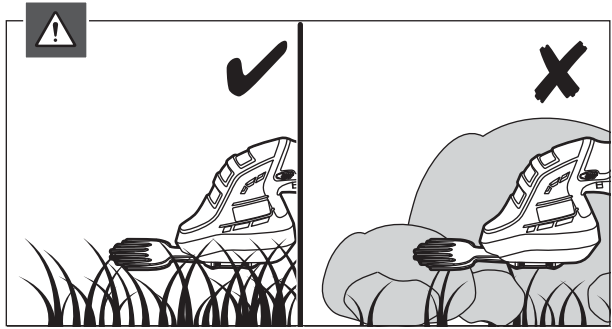
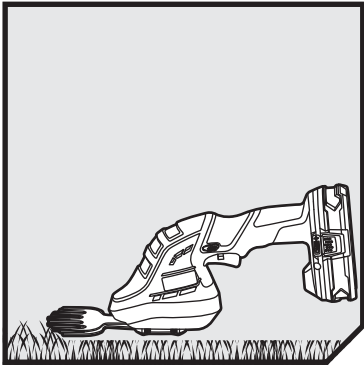
3b

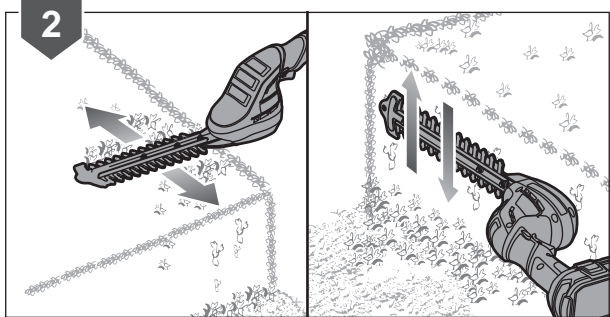
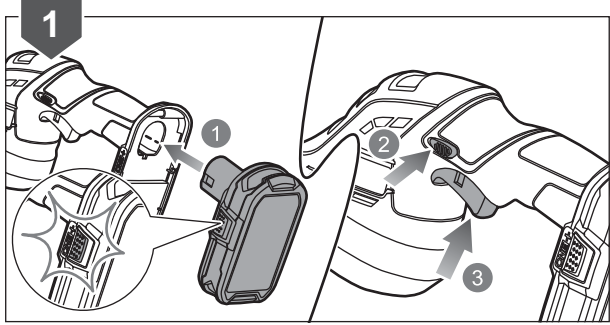
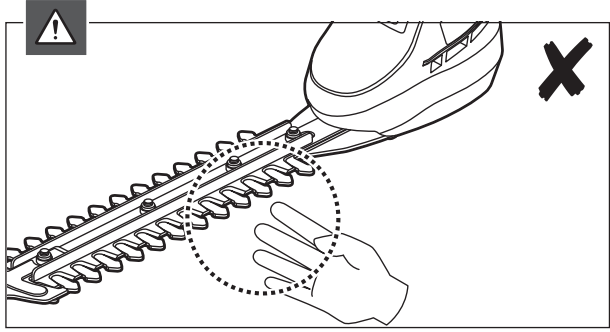
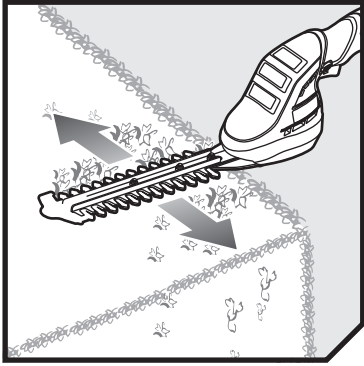


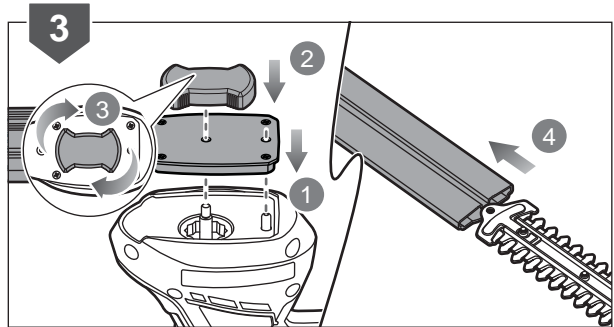
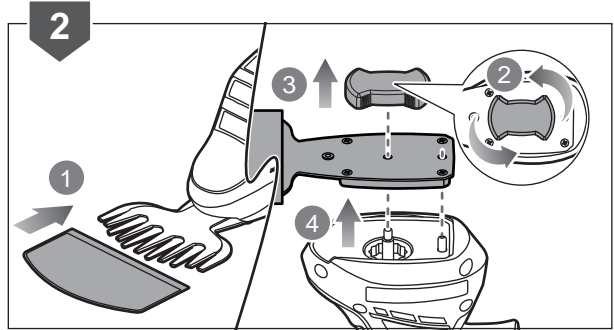
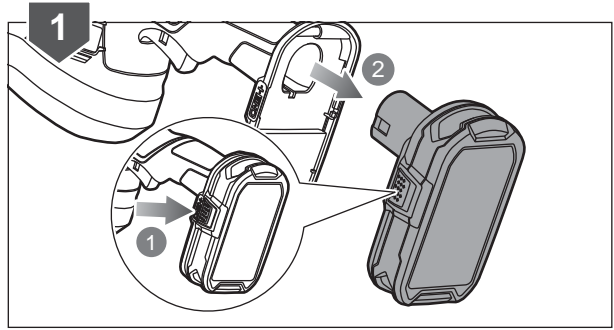
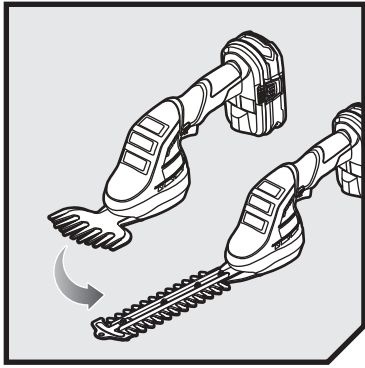


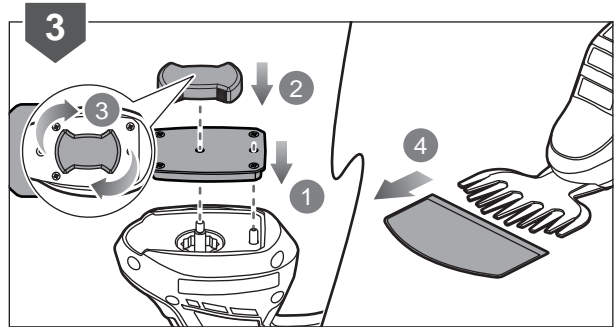
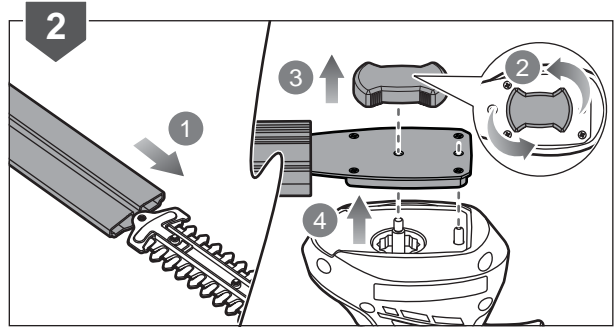
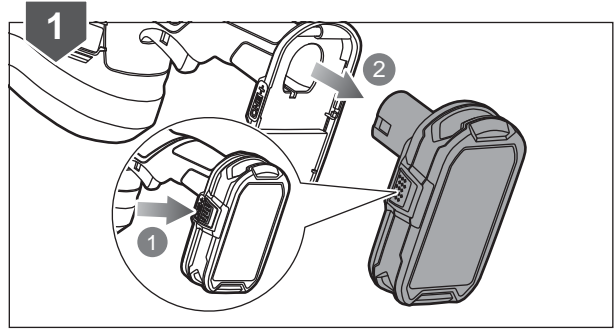
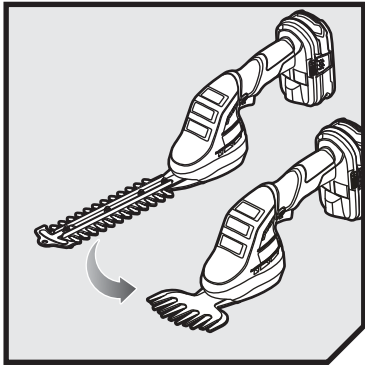


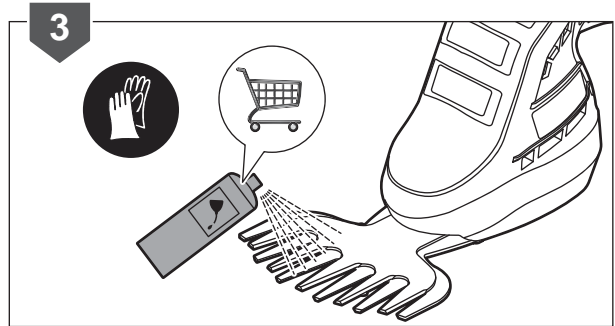
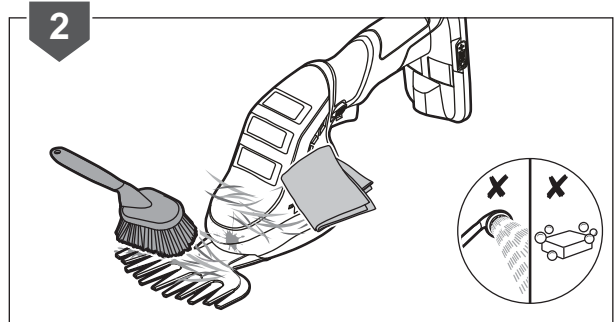
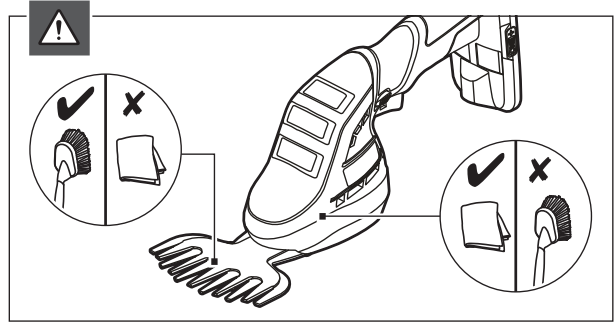
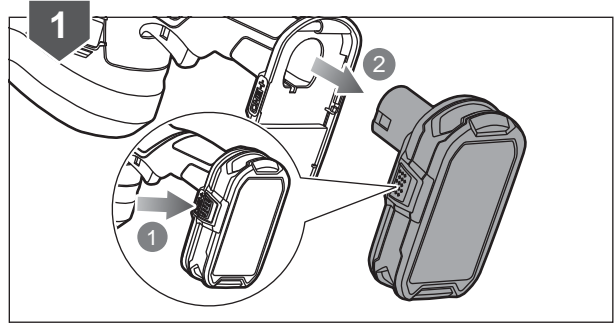
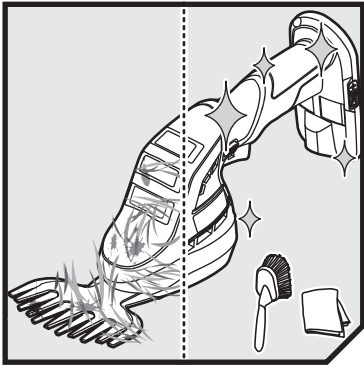


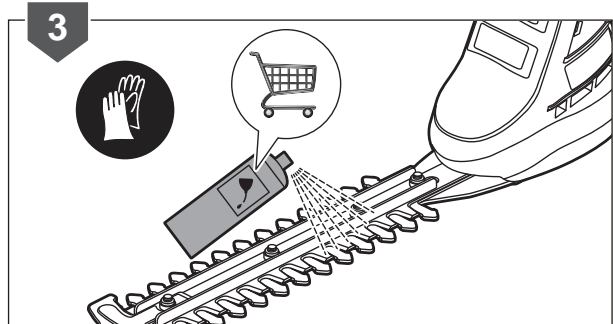
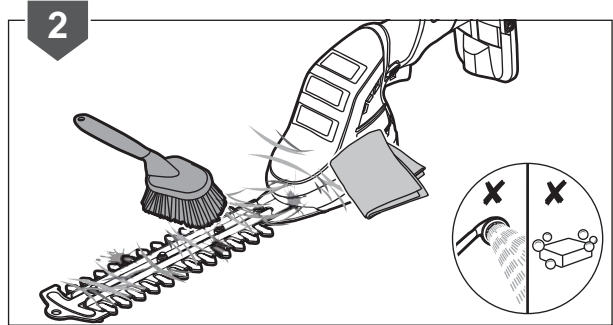
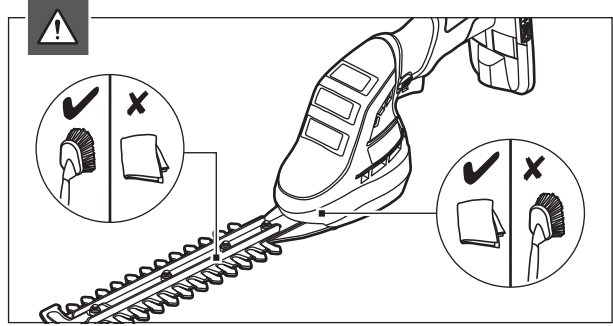
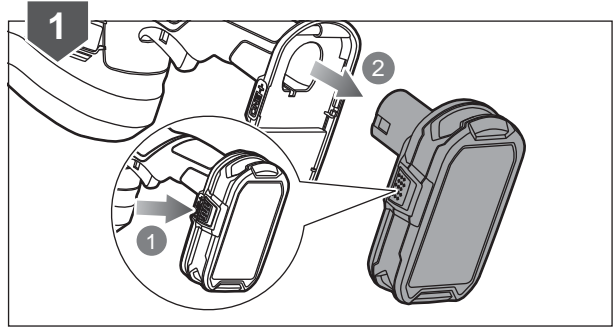
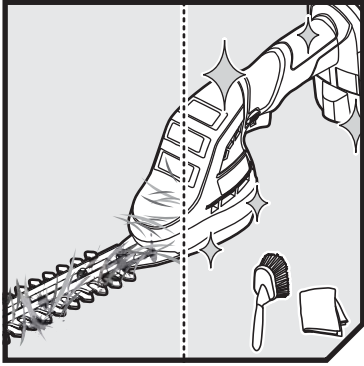


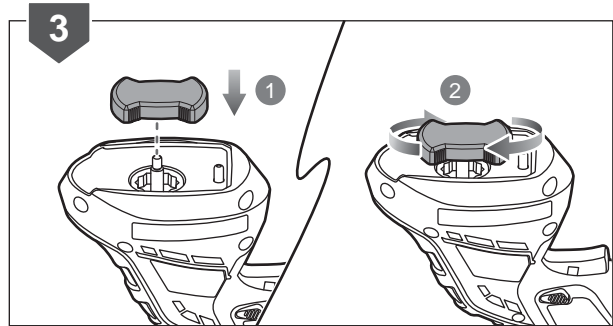
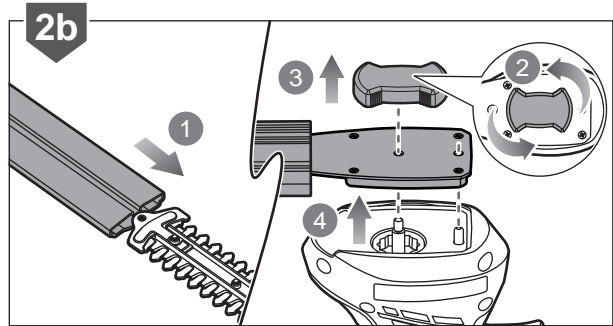
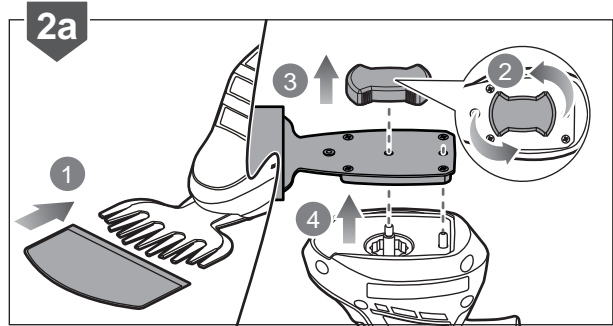
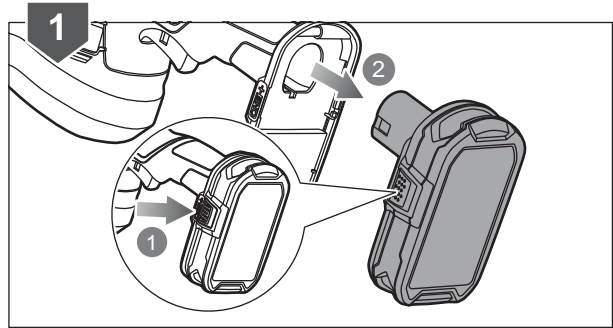
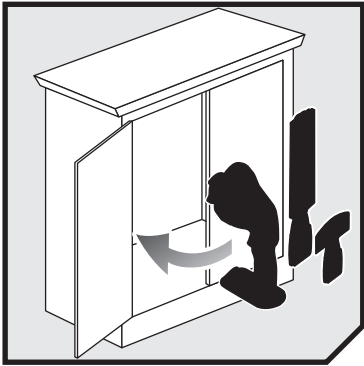








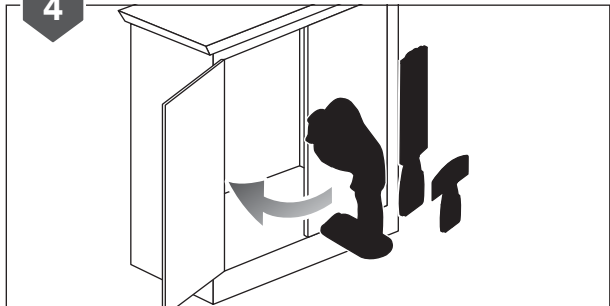








4





English	Français	Deutsch	Español	Italiano	Nederlands
<b>Product specifications</b>	<b>Caractéristiques produit</b>	<b>Produkt-Spezifikationen</b>	<b>Características del producto</b>	<b>Caratteristiche del prodotto</b>	<b>Productgegevens</b>
Cordless grass shears/shrubber	Cisaille à Gazon/Scultehaies Sans-fil	Akku-Rasenschere/Strauchschere	Tijeras cortacésped/arreglasetos inalámbrico	Le forbici per erba/sfoltirami a batteria	Snoerloze grasschaar/struikschaar
Model	Modèle	Modell	Modelo	Modello	Model
Rated Voltage	Tension nominale	Nennspannung	Tensión nominal	Voltaggio nominale	Toegekende spanning
Maximum no-load speed	Vitesse maximale à vide	Maximalgeschwindigkeit im Leerlauf	Velocidad máxima sin carga	Massima velocità a vuoto	Maximaal toerental zonder belasting
Shrubber blade cutting length	Vitesse de découpe de la lame d'attache	Schnittlänge der Heckenscheren-Klinge	Longitud de corte de la cuchilla de la desbrozadora	Lunghezza di taglio delle forbici sfoltirami	Snijlengte struikschaar
Grass shear blade width	Largeur de lame de cisaille pour l'herbe	Breite der Grasscheren-Klinge	Ancho de cuchilla de cizalla de césped	Larghezza delle forbici per erba	Mesbreedte grasschaar
Vibration level (in accordance with EN 50636-2-94 Annex BB)	Niveau de vibration (selon l'Annexe BB de EN 50636-2-94)	Vibrationsgrad (gemäß Anhang BB von EN 50636-2-94)	Nivel de vibración (de acuerdo con el Anexo BB de EN 50636-2-94)	Livello vibrazioni (secondo quanto disposto dall'Allegato BB della Direttiva EN 50636-2-94)	Trillingsniveau (in overeenstemming met bijlage BB van EN 50636-2-94)
Main handle	Poignée principale	Hauptgriff	Mango principal	Manico principale	Hoofdhandvat
Uncertainty of measurement	Incertitude de la mesure	Unsicherheit der Messung	Incertidumbre de medición	Incetza delle misurazioni	Onzekerheid bij meting
Noise emission level (in accordance with EN 50636-2-94 Annex CC)	Niveau d'émission sonore (selon l'Annexe CC de EN 50636-2-94)	Geräuschemission (gemäß Anhang CC von EN 50636-2-94)	Nivel de emisión de ruido (de acuerdo con el Anexo CC de EN 50636-2-94)	Livello di emissione rumore (secondo quanto disposto dall'Allegato CC della Direttiva EN 50636-2-94)	Geluidsemissieniveau (in overeenstemming met bijlage CC van EN 50636-2-94)
A-weighted sound pressure level at the operator position	Niveau de pression sonore pondéré-A au niveau de l'opérateur	A-bewerteter Schalldruckpegel an der Position des Anwenders	Nivel de presión sonora ponderado A en la posición del operario	Livello di pressione sonora pesato A alla posizione dell'operatore	A-gewogen geluidsrukniveau op de plaats van de bediener
Uncertainty of measurement	Incertitude de la mesure	Unsicherheit der Messung	Incertidumbre de medición	Incetza delle misurazioni	Onzekerheid bij meting
A-weighted sound power level	Niveau de puissance sonore pondéré-A	A-bewerteter Schalleistungspegel	Nivel de potencia acústica ponderada en A	Livello di potenza sonora pesato A	A-gewogen geluidsniveau
Uncertainty of measurement	Incertitude de la mesure	Unsicherheit der Messung	Incertidumbre de medición	Incetza delle misurazioni	Onzekerheid bij meting
Vibration level (in accordance with EN 60745-1 and EN 60745-2-15)	Niveau de vibration (selon EN 60745-1; EN 60745-2-15)	Vibrationsgrad (gemäß EN 60745-1; EN 60745-2-15)	Nivel de vibración (de acuerdo con EN 60745-1; EN 60745-2-15)	Livello vibrazioni (in accordo con la direttiva EN 60745-1; EN 60745-2-15)	Trillingsniveau (in overeenstemming met EN 60745-1; EN 60745-2-15)
Main handle	Poignée principale	Hauptgriff	Mango principal	Manico principale	Hoofdhandvat
Uncertainty of measurement	Incertitude de la mesure	Unsicherheit der Messung	Incertidumbre de medición	Incetza delle misurazioni	Onzekerheid bij meting
Noise emission level (in accordance with EN 60745-1 and EN 60745-2-15)	Niveau d'émission sonore (selon EN 60745-1; EN 60745-2-15)	Schallenergiepegel (gemäß EN 60745-1; EN 60745-2-15)	Nivel de emisión de ruido (de acuerdo con EN 60745-1; EN 60745-2-15)	Livello di emissione rumore (in accordo con la direttiva EN 60745-1; EN 60745-2-15)	Geluidsemissieniveau (in overeenstemming met EN 60745-1; EN 60745-2-15)
A-weighted sound pressure level	Niveau de pression sonore pondéré-A	A-bewerteter Schalldruckpegel	Nivel de presión acústica ponderada en A	Livello di pressione sonora pesato A	A-gewogen geluidsrukniveau
Uncertainty of measurement	Incertitude de la mesure	Unsicherheit der Messung	Incertidumbre de medición	Incetza delle misurazioni	Onzekerheid bij meting
A-weighted sound power level	Niveau de puissance sonore pondéré-A	A-bewerteter Schalleistungspegel	Nivel de potencia acústica ponderada en A	Livello di potenza sonora pesato A	A-gewogen geluidsniveau
Uncertainty of measurement	Incertitude de la mesure	Unsicherheit der Messung	Incertidumbre de medición	Incetza delle misurazioni	Onzekerheid bij meting





Português	Dansk	Svenska	Suomi	Norsk	Русский	
<b>Características do aparelho</b>	<b>Produktspecifikationer</b>	<b>Produktspecifikationer</b>	<b>Tuotteen tekniset tiedot</b>	<b>Produktspecificasjoner</b>	<b>Характеристики изделия</b>	
Tesoura de relva/podadora de arbustos	Trådløse græssaks/græsklipper	Sladdlösa græssaxen/buksaxen	Akkukäyttöiset nurmikosaket/pensasleikkuri	Græssaks/Hekksaks	Беспроводные газонные ножницы / кусторез	
Modelo	Model	Modell	Malli	Modell	Модель	OGS1822
Tensão nominal	Mærkespænding	Spänning	Nimellisjännite	Nominell spenning	Номинальное напряжение	d.c. 18 Volts
Velocidade máxima sem carga	Maksimum hastighed uden belastning	Maximalt tomgångsvarvtal	Enimmäisnopeus kuormittamattomana	Maksimal null-last hastighet	Максимальная частота оборотов на холостом ходу	1200 min <sup>-1</sup>
Comprimento de corte da lâmina da podadora de arbustos	Buskklipperklingens skærelængde	Bladlängd för buksax	Pensasterän leikkupuutien	Buskblad kuttelengde	Длина захвата лезвий кустореза	200 mm
Largura da lâmina da tesoura de relva	Bredde græsknivklinge	Bladbredd för græssax	Nurmikon saksiterän leveys	Gressklippebladbredde	Ширина лезвий газонных ножиц	120 mm
Nível de vibração (em conformidade com o Anexo BB de EN 50636-2-94)	Vibrationsniveau (iht. bilag CC til EN 50636-2-94)	Vibrationsnivå (enligt Annex BB i EN 50636-2-94)	Tärinätaaso (standardin EN 50636-2-94 liitteen BB mukaisesti)	Vibrasjonsnivå (iht. tillegg BB i EN 50636-2-94)	Уровень вибрации (в соответствии с Приложением BB стандарта EN 50636-2-94)	Grass shear
Cabo principal	Hovedhåndtag	Handtag	Pääkahva	Hovedhåndtak	Основная ручка	2.4m/s <sup>2</sup>
Incerteza de medições	Målingsusikkerhed	Osäkerhet för mått	Mittausten epätarkkuus	Usikkerhet ved måling	Погрешность измерения	1.5 m/s <sup>2</sup>
Nível de emissão de ruído (em conformidade com o Anexo CC de EN 50636-2-94)	Støjemissionsniveau (iht. bilag CC til EN 50636-2-94)	Bullerutsläppsnivå (enligt Annex CC i EN 50636-2-94)	Melutaso (standardin EN 50636-2-94 liitteen CC mukaisesti)	Støyutslippsnivå (iht. tillegg CC i EN 50636-2-94)	Уровень шума (в соответствии с Приложением CC стандарта EN 50636-2-94)	
Nível de pressão sonora ponderado A na posição do operador	A-vægtet lydtryksniveau ved operatørens position	A-viktad ljudtrycksnivå vid operatörsplats	A-painotettu käyttöäänin kohdistuva äänenpainetaso	A-vektet lydtrykk ved operatørposisjon	Амплитудно-взвешенный уровень звукового давления на рабочем месте оператора	76.1 dB
Incerteza de medições	Målingsusikkerhed	Osäkerhet för mått	Mittausten epätarkkuus	Usikkerhet ved måling	Погрешность измерения	2.5 dB
Nível de potência sonora ponderada A	A-vægtet lydeffektniveau	A-vägd ljudeffektnivå	A-painotettu äänenteho	A-vektet lydeffektnivå	Уровень А-взвешенной звуковой мощности	85.4 dB
Incerteza de medições	Målingsusikkerhed	Osäkerhet för mått	Mittausten epätarkkuus	Usikkerhet ved måling	Погрешность измерения	2.5 dB
Nível de vibração (em conformidade com EN 60745-1; EN 60745-2-15)	Vibrationsniveau (iht. EN 60745-1; EN 60745-2-15)	Vibrationsnivå (enligt EN 60745-1; EN 60745-2-15)	Tärinätaaso (standardin EN 60745-1; EN 60745-2-15 mukaisesti)	Vibrasjonsnivå (iht. EN 60745-1; EN 60745-2-15)	Уровень вибрации (в соответствии с EN 60745-1; EN 60745-2-15)	Shrubber
Cabo principal	Hovedhåndtag	Handtag	Pääkahva	Hovedhåndtak	Основная ручка	0.8m/s <sup>2</sup>
Incerteza de medições	Målingsusikkerhed	Osäkerhet för mått	Mittausten epätarkkuus	Usikkerhet ved måling	Погрешность измерения	1.5 m/s <sup>2</sup>
Nível de emissão de ruído (em conformidade com EN 60745-1; EN 60745-2-15)	Støjemissionsniveau (iht. EN 60745-1; EN 60745-2-15)	Bullerutsläppsnivå (enligt EN 60745-1; EN 60745-2-15)	Melutaso (standardin EN 60745-1; EN 60745-2-15 mukaisesti)	Støyutslippsnivå (iht. EN 60745-1; EN 60745-2-15)	Уровень шума (в соответствии с EN 60745-1; EN 60745-2-15)	
Nível de pressão sonora ponderada A	A-vægtet lydtryksniveau	A-vägd ljudtrycksnivå	A-painotettu äänenpainetaso	A-vektet lydtryknivå	Уровень А-взвешенного звукового давления	71.3 dB(A)
Incerteza de medições	Målingsusikkerhed	Osäkerhet för mått	Mittausten epätarkkuus	Usikkerhet ved måling	Погрешность измерения	3 dB
Nível de potência sonora ponderada A	A-vægtet lydeffektniveau	A-vägd ljudeffektnivå	A-painotettu äänenteho	A-vektet lydeffektnivå	Уровень А-взвешенной звуковой мощности	82.3 dB(A)
Incerteza de medições	Målingsusikkerhed	Osäkerhet för mått	Mittausten epätarkkuus	Usikkerhet ved måling	Погрешность измерения	3 dB





Polski	Čeština	Magyar	Română	Latviski	Lietuviškai	Eesti
<b>Parametry techniczne</b>	<b>Technické údaje produktu</b>	<b>Termék műszaki adatai</b>	<b>Specificațiile produsului</b>	<b>Produkta specifikācijas</b>	<b>Gaminio techninės savybės</b>	<b>Toote tehnilised andmed</b>
Bezprzewodowe nożyce do trawy / krzewów	Akumulátorové nůžky na trávu / zastřihovač	A vezeték nélküli fűnyíró/sóvényvágót	Foarfecla/lama de tuns pentru iarba cu acumulator	Bezvadu zāles šķēres/krūmu šķēres	Belaidės žolės žirkles / genėtuvas	Akutotelega muru- ja pöösakääre
Model	Model	Típus	Model	Modelis	Modelis	Mudel
Napięcie znamionowe	Jmenovitě napětí	Névleges feszültség	Tensiunea nominală	Nominālais spriegums	Nominali įtampa	Nimipinge
Maksymalna prędkość bez obciążenia	Maximální rychlost bez zatížení	Legnagyobb fordulatszám terhelés nélkül	Viteza maximă în gol	Maksimālais ātrums bez slodzes	Maksimalus greitis be apkrovos	Maksimaalne koormuseta kiirus
Długość ostrza do cięcia krzewów	Délka stříhu zastřihovače	Fűrészártácsa vágóhossza	Lungimea lamei tip foarfecă	Krūmu šķēru griešanas garums	Genėtuvo geležtės pjovimo ilgis	Pöösalõiketera pikkus
Szerokosc ostrza do cięcia trawy	Šířka čepele nůžek na trávu	Fűnyíró kés szélessége	Lățimea lamei de tuns iarba	Zāles šķēru asmens platumis	Žolės žirklių geležtės lais	Murupügamistera laius
Poziom vibracji (zgodnie z aneksem BB normy EN 50636-2-94)	Úroveň vibrací (v souladu s přílohou BB normy EN 50636-2-94)	Vibrációs szint (az EN 50636-2-94 BB függeléke szerint)	Nivel de vibrație (în conformitate cu Anexa BB a EN 50636-2-94)	Vibrācijas līmenis (saskaņā ar direktīvas EN 50636-2-94 BB pielikumu)	Vibracijos lygis (pagal EN 50636-2-94 standarto BB priedą)	Vibratsioonitase (vastavalt standardi EN 50636-2-94 lisale BB)
Główny uchwyt	Hlavní rukojeť	Fő fogantyú	Māner principal	Galvenais rokturis	Pagrindinė rankena	Põhikäepide
Niepiewność pomiaru	Nejistota měření	Mérés bizonytalansága	Nesiguranța măsurătorii	Mērījuma nenoteiktība	Matavimo paklaida	Mõõtmismääramatus
Poziom emisji hałasu (zgodnie z aneksem CC normy EN 50636-2-94)	Hladina emise hluku (v souladu s přílohou CC normy EN 50636-2-94)	Hangkibocsátási szint (az EN 50636-2-94 CC függeléke szerint)	Nivel emisie zgomot (în conformitate cu Anexa CC a EN 50636-2-94)	Trokšņu emisijas līmenis (saskaņā ar direktīvas EN 50636-2-94 CC pielikumu)	Skleidžiamo triukšmo lygis (pagal EN 50636-2-94 standarto CC priedą)	Vibratsioonitase (vastavalt standardi EN 50636-2-94 lisale CC)
Poziom ważonego ciśnienia akustycznego w pozycji operatora	Hladina akustického výkonu vážená funkci A v poloze obsluhy	A-súlyozott hangnyomásszint a kezelő helyén	Valoare A nivel presiune zgomot la poziția operatorului	A–novērtējuma skaņas spiediena līmenis operatora darba vietā	A dažnās raksturiskās garso slēgio lygis operatoriaus vietoje	A-kaalutud helirõhu tase operaatõri töökojal
Niepiewność pomiaru	Nejistota měření	Mérés bizonytalansága	Nesiguranța măsurătorii	Mērījuma nenoteiktība	Matavimo paklaida	Mõõtmismääramatus
A-ważony poziom natężenia hałasu	Hladina akustického tlaku vážená funkci A	A-súlyozott hangteljesítményszint	Nivel de putere acustică ponderată A	A-līmeņa skaņas jaudas līmenis	A-svertinis akustinis lygis	A-kaalutud helivõimsuse tase
Niepiewność pomiaru	Nejistota měření	Mérés bizonytalansága	Nesiguranța măsurătorii	Mērījuma nenoteiktība	Matavimo paklaida	Mõõtmismääramatus
Poziom vibracji (zgodnie z normą EN 60745-1; EN 60745-2-15)	Úroveň vibrací (v souladu s EN 60745-1; EN 60745-2-15)	Vibrációs szint (az EN 60745-1; EN 60745-2-15 szerint)	Nivel de vibrație (în conformitate cu EN 60745-1; EN 60745-2-15)	Vibrācijas līmenis (saskaņā ar EN 60745-1; EN 60745-2-15)	Vibracijos lygis (pagal EN 60745-1; EN 60745-2-15 standarta)	Vibratsioonitase (vastavalt standardile EN 60745-1; EN 60745-2-15)
Główny uchwyt	Hlavní rukojeť	Fő fogantyú	Māner principal	Galvenais rokturis	Pagrindinė rankena	Põhikäepide
Niepiewność pomiaru	Nejistota měření	Mérés bizonytalansága	Nesiguranța măsurătorii	Mērījuma nenoteiktība	Matavimo paklaida	Mõõtmismääramatus
Poziom emisji hałasu (zgodnie z normą EN 60745-1; EN 60745-2-15)	Hladina emise hluku (v souladu s EN 60745-1; EN 60745-2-15)	Hangkibocsátási szint (az EN 60745-1; EN 60745-2-15 szerint)	Nivel emisie zgomot (în conformitate cu EN 60745-1; EN 60745-2-15)	Trokšņu emisijas līmenis (saskaņā ar EN 60745-1; EN 60745-2-15)	Skleidžiamo triukšmo lygis (pagal EN 60745-1; EN 60745-2-15 standarta)	Helivõimsuse tase (vastavalt standardile EN 60745-1; EN 60745-2-15)
A-ważony poziom ciśnienia hałasu	Hladina akustického výkonu vážená funkci A	A-súlyozott hangnyomásszint	Nivel de presiune acustică ponderată A	A-līmeņa skaņas spiediena līmenis	A-svertinis garso galios lygis	A-kaalutud helirõhu tase
Niepiewność pomiaru	Nejistota měření	Mérés bizonytalansága	Nesiguranța măsurătorii	Mērījuma nenoteiktība	Matavimo paklaida	Mõõtmismääramatus
A-ważony poziom natężenia hałasu	Hladina akustického tlaku vážená funkci A	A-súlyozott hangteljesítményszint	Nivel de putere acustică ponderată A	A-līmeņa skaņas jaudas līmenis	A-svertinis akustinis lygis	A-kaalutud helivõimsuse tase
Niepiewność pomiaru	Nejistota měření	Mérés bizonytalansága	Nesiguranța măsurătorii	Mērījuma nenoteiktība	Matavimo paklaida	Mõõtmismääramatus





Hrvatski	Slovensko	Slovenčina	България	Українська	Turce	
Specifikacije proizvoda	Specifikacije izdelka	Špecifikácie produktu	Технически характеристики	Технічні характеристики пристрою	Ürün teknik özellikleri	
Bežične škare za travu/rezač ukrasnog grmlja	Brežični strižnik za travo/žaga za grmovje	Akumulátorové nožnice na travu/na živý plot	Безжичните ножици за трева/храсти	ножицями для трави/кущів	Kablosuz çim makası/ funda kesici	
Model	Model	Modelis	Модел	Модель	Model	OGS1822
Nazivni napon	Nazivna napetost	Menovitě napätie	Номинален волтаж	Номинальна напруга	Nominal voltaj	d.c. 18 Volts
Maksimalna brzina bez opterećenja	Najvišja hitrost brez obremenitve	Maximálna rýchlosť bez záťaže	Максимална скорост без натоварване	Максимална швидкість без навантаження	Azami yüksüz hız	1200 min <sup>-1</sup>
Širina noža rezača ukrasnog grmlja	Dolžina rezanja rezila žage za grmovje	Dĺžka strihu nožnic na živý plot	Дължина на рязане на ножиците за храсти	Довжина різучого леза кушоріза	Funda biçacağı kesme boyu	200 mm
Širina noža škara	Dolžina rezila strižnika trave	Šírka nožnic na strihanie trávy	Ширина на ножиците за трева	Ширина леза газонних ножиць	Çim makası biçacağı genişliği	120 mm
Razina vibracija (u skladu s Dodatkom BB EN 50636-2-94)	Nivo vibracij (v skladu z dodatkom BB standarda EN 50636-2-94)	Úroveň vibrácií (v súlade s Dodatkom BB v EN 50636-2-94)	Ниво на вибрациите (в съответствие с приложение BB на EN 50636-2-94)	Рівень вібрації (відповідно до EN 50636-2-94 додаток BB)	Titreşim seviyesi (EN 50636-2-94, Ek BB uyarınca)	Grass shear
Glavna ručka	Glavni ročaj	Hlavná rukoväť	Основна ръкохватка	Ручка основний	Ana Kulp	2.4m/s <sup>2</sup>
Neodredenost mjerenja	Negotovost meritve	Nesposahlivost merani	Несигурност на измерването	Невизначеність вимірювання	Ölçüm bilinmiyor	1.5 m/s <sup>2</sup>
Razina emisija buke (u skladu s Dodatkom CC EN 50636-2-94)	Raven emisij hrupa (v skladu z dodatkom CC standarda EN 50636-2-94)	Úroveň emisii hluku (v súlade s Dodatkom CC v EN 50636-2-94)	Ниво на шумовите емисии (в съответствие с приложение CC на EN 50636-2-94)	Рівень шуму (відповідно до EN 50636-2-94 додаток CC)	Gürültü emisyon seviyesi (EN 50636-2-94 Ek CC uyarınca)	
A-ponderirana razina zvučnog tlaka u položaju operatera	A-vrednotena raven zvočnega tlaka na položaju upravljavca	Vážená A hladina akustického tlaku na pozici operátora	Ниво на шумовото налягане с равнище А на мястото на оператора	A-weighted sound pressure level at the operator position	A-weighted sound pressure level at the operator position	76.1 dB
Neodredenost mjerenja	Negotovost meritve	Nesposahlivost merani	Несигурност на измерването	Невизначеність вимірювання	Ölçüm bilinmiyor	2.5 dB
Ponderirana razina zvučne snage	A-izmerjena raven zvočne moči	Vážená A hladina akustického výkonu	Ниво на силата на шума с равнище А	A-зважений рівень звукової потужності	A ağırlıklı ses gücü seviyesi	85.4 dB
Neodredenost mjerenja	Negotovost meritve	Nesposahlivost merani	Несигурност на измерването	Невизначеність вимірювання	Ölçüm bilinmiyor	2.5 dB
Razina vibracija (u skladu s EN 60745-1; EN 60745-2-15)	Nivo vibracij (v skladu s standardom EN 60745-1; EN 60745-2-15)	Úroveň vibrácií (podľa normy EN 60745-1; EN 60745-2-15)	Ниво на вибрациите (в съответствие с EN 60745-1; EN 60745-2-15)	Рівень вібрації (відповідно до EN 60745-1; EN 60745-2-15)	Titreşim seviyesi (EN 60745-1; EN 60745-2-15, uyarınca)	Shrubber
Glavna ručka	Glavni ročaj	Hlavná rukoväť	Основна ръкохватка	Ручка основний	Ana Kulp	0.8m/s <sup>2</sup>
Neodredenost mjerenja	Negotovost meritve	Nesposahlivost merani	Несигурност на измерването	Невизначеність вимірювання	Ölçüm bilinmiyor	1.5 m/s <sup>2</sup>
Razina emisija buke (u skladu s EN 60745-1; EN 60745-2-15)	Raven emisij hrupa (v skladu s standardom EN 60745-1; EN 60745-2-15)	Úroveň emisii hluku (podľa normy EN 60745-1; EN 60745-2-15)	Ниво на шумовите емисии (в съответствие с EN 60745-1; EN 60745-2-15)	Рівень шуму (відповідно до EN 60745-1; EN 60745-2-15)	Gürültü emisyon seviyesi (EN 60745-1; EN 60745-2-15 uyarınca)	
Ponderirana razina tlaka zvuka	A-izmerjena raven zvočnega tlaka	Vážená A hladina akustického tlaku	Ниво на шумово налягане с равнище А	A-зважений рівень звукового тиску	A-ağırlıklı ses basınç seviyesi	71.3 dB(A)
Neodredenost mjerenja	Negotovost meritve	Nesposahlivost merani	Несигурност на измерването	Невизначеність вимірювання	Ölçüm bilinmiyor	3 dB
Ponderirana razina zvučne snage	A-izmerjena raven zvočne moči	Vážená A hladina akustického výkonu	Ниво на силата на шума с равнище А	A-зважений рівень звукової потужності	A ağırlıklı ses gücü seviyesi	82.3 dB(A)
Neodredenost mjerenja	Negotovost meritve	Nesposahlivost merani	Несигурност на измерването	Невизначеність вимірювання	Ölçüm bilinmiyor	3 dB





English	Français	Deutsch	Español	Italiano	Nederlands
<b>Battery and charger</b>	<b>Batterie et chargeur</b>	<b>Akku und Ladegerät</b>	<b>Bateria y cargador</b>	<b>Batteria e caricatore</b>	<b>Accu en oplader</b>
Cordless grass shears/shrubber	Cisaille à Gazon/Scultehaies Sans-fil	Akku-Rasenschere/Strauchschere	Tijeras cortacésped/arreglasetos inalámbrico	Le forbici per erba/sfoltirami a batteria	Snoerloze grasschaar/struikshaar
Model	Modèle	Modell	Modelo	Modello	Model
Weight with grass shear blade	Poids avec lame de cisaille	Gewicht mit Grasscheren-Messer	Peso con cuchilla de cizalla para césped	Peso con le forbici per erba	Gewicht met grasschaarblad
Weight with shrubber blade	Poids avec la lame d'attache	Gewicht mit Heckenscheren-Messer	Peso con cuchilla de cizalla	Peso con le forbici sfoltirami	Gewicht met struikshaarblad
Compatible chargers	Chargeur compatible	Kompatible Ladegerät	Cargador compatible	Caricatore compatibile	Compatibele oplader
Compatible battery packs	Packs batterie compatibles	Kompatible Akkus	Paquetes de batería compatibles	Gruppo batterie compatibili	Compatibele accupacks

Replacement parts	Pièces de Rechange	Ersatzteile	Piezas de repuesto	Parti di ricambio	Vervangonderdelen
Grass shear blade	Lame de cisaille	Grasscheren-Messer	Cuchilla de cizalla	Forbici	Schaarblad
Hedge trimmer blade	Lame d'attache	Heckenscheren-Messer	Cuchilla de desbrozadora	Forbici sfoltirami	Struikshaarmes

Polski	Čeština	Magyar	Română	Latviski	Lietuviškai	Eesti
<b>Akumulator i ladowarka</b>	<b>Nabiječka a baterie</b>	<b>Akkumulátor és töltő</b>	<b>Bateria și încărcătorul</b>	<b>Akumulators un lādētājs</b>	<b>Akumulatorius ir įkroviklis</b>	<b>Aku ja laadija</b>
Bezprzewodowe nożyce do trawy/krzewów	Akkumulátorové nožice na trávu / zastřihovač	A vezeték nélküli fűnyíró/sóvényvágó	Foarfece/lama de tuns pentru iarbă cu acumulator	Bezvadu zāles šķēres/krūmu šķēres	Belaidės žolės žirkklės / genėtuvas	Akutoitega muru- ja põõsakaäre
Model	Model	Típus	Model	Modelis	Modelis	Mudel
Masa z ostrzem do cięcia trawy	Hmotnost s nůžkami na trávu	Súly fűnyíró késsel	Greutate cu lama de tuns montată	Svars ar zāles šķēru asmeni	Svoris su žolės žirklių geležte	Kaal koos murupügamisteraga
Masa z ostrzem do cięcia krzewów	Hmotnost se zastřihovačem	Súly fűrésztárcsával	Greutate cu lama tip forfecă montată	Svars ar krūmu šķēru asmeni	Svoris su genėtuvo geležte	Kaal koos põõsalõiketeraga
Odpowiednia ladowarka	Kompatibilní nabiječka	Kompatibilis töltő	Încărcător compatibil	Saderīgs lādētājs	Tinkamas įkroviklis	Ühilduv laadija
Pasujące akumulatory	Kompatibilní akumulatory	Kompatibilis akkumulátorok	Acumulatori compatibili	Savietojami akumulatoru komplekti	Suderinami baterijos paketai	Ühilduvad akupaketid

Części zamienne	Náhradní díly	Cserealkatrészek	Piese de schimb	Rezerves daļas	Atsarginės detalės	Asendusosad
Ostrze do cięcia	Čepel nůžek	Nyírókés	Lama de tuns	Šķēru asmens	Žirklių geležtė	Pügamistera
Ostrze do cięcia krzewów	Nůž zastřihovače	Fűrésztárcsa	Lamă tip foarfecă	Krūmu šķēru asmens	Genėtuvo geležtė	Põõsalõiketera





Português	Dansk	Svenska	Suomi	Norsk	Русский	
<b>Bateria e carregador</b>	<b>Batteri og oplader</b>	<b>Batteri och batteriladdare</b>	<b>Akku ja laturi</b>	<b>Batteri og lader</b>	<b>Акумуляторная батарея и зарядное устройство</b>	
Tesoura de relva/ podadora de arbustos	Trådløse græssaks/ græsklipper	Sladdlösa grässaxen/ buxsaxen	Akkukäyttöiset nurmikosaket/ pensasleikkuri	Gressaks/Hekksaks	Беспроводные газonné ножницы / кусторез	
Modelo	Model	Modell	Malli	Modell	Модель	OGS1822
Peso com a lâmina da tesoura de relva	Vægt med græsknivklinge	Vikt med blad för græssax	Paino nurmikon saksiterän kanssa	Vekt med gressklippeblad	Вес с лезвиями газonné ножниц	900g
Peso com a lâmina da podadora de arbustos	Vægt med buskklipperklinge	Vikt med blad för buxsax	Paino pensasterän kanssa	Vekt med buskklippeblad	Вес с лезвиями кустореза	1152g
Carregador compatível	Kompatibel oplader	Kompatibel laddare	Yhteensopiva laturi	Kompatibel lader	Совместимое зарядное устройство	BCL1800 / BCL1418 / BCL14181H / BCL14183H/ BCS618G / RC18150U
Baterias compatíveis	Kompatible batterier	Kompatibla batteripaket	Yhteensopivat akut	Kompatible batteripakker	Совместимая аккумуляторная батарея	RB18L13 / RB18L15 / RB18L25 / RB18L26 / RB18L40 / RB18L50 / RB18L20

Peças de substituição	Reserve dele	Utbytesdelar	Varaosat	Erstatningsdeler	Запасные части	
Lâmina da tesoura de relva	Knivklinge	Klippblad	Saksiterä	Klippeblad	Лезвие ножниц	RAC314 (5132003309)
Lâmina da podadora de arbustos	Buskklipperklinge	Blad för buxsax	Pensasterä	Buskblad	Лезвие кустореза	RAC308 (5132002457)

Hrvatski	Slovensko	Slovenčina	България	Українська	Türce	
<b>Baterija i punjač</b>	<b>Baterija in polnilnik</b>	<b>Akumulátor a nabijačka</b>	<b>Батерия и зарядно устройство</b>	<b>Акумулятор і зарядний пристрій</b>	<b>Pil ve şarj cihazı</b>	
Bežične škare za travu/rezač ukrasnog gmlja	Brezžični strižnik za travo/žaga za gromlje	Akumulátorové nožnice na trávu/na živý plot	Безжичните ножници за трева/храсти	ножницями для трави/кущів	Kablosuz çim makası/funda kesici	
Model	Model	Modelis	Модел	Модель	Model	OGS1822
Težina s nožem škara za travu	Teža z rezilom strižnika trave	Hmotnosť nožnic na trávu	Тегло с ножниците за трева	Вага газonné ножниц із лезом	Çim makası biçme ağırlık	900g
Težina s nožem rezača ukrasnog gmlja	Teža z rezilom žage za gromlje	Hmotnosť nožnic na živý plot	Тегло с ножниците за храсти	Вага кущоріза із лезом	Funda biçme ağırlık	1152g
Kompatibilni punjači	Združljiv polnilec	Kompatibilná nabijačka	Съвместимо зарядно устройство	Сумісний зарядний пристрій	Uyumlu şarj cihazı	BCL1800 / BCL1418 / BCL14181H / BCL14183H/ BCS618G / RC18150U
Kompatibilna pakiranja baterija	Združljive baterije	Kompatibilné jednotky akumulátorov	Съвместими батерии	Сумісні акумуляторні блоки	Uyumlu pil takımları	RB18L13 / RB18L15 / RB18L25 / RB18L26 / RB18L40 / RB18L50 / RB18L20

Zamjena dijelova	Nadomestni deli	Náhradné diely	Резервни части	Запасни частини	Yedek Parça	
Nož škara	Rezilo strižnika	Čepel' nožnic	Ножници	Лезо ножниц	Makas biçme ağırlık	RAC314 (5132003309)
Nož rezača ukrasnog gmlja	Rezilo žage za gromlje	Čepel' nožnic na živý plot	Ножници за храсти	Лезо кущоріза	Funda biçme ağırlık	RAC308 (5132002457)



## EN RYOBI® WARRANTY APPLICATION CONDITIONS

In addition to any statutory rights resulting from the purchase, this product is covered by a guarantee as stated below.

- The warranty period is 24 months for consumers and commences on the date when the product was purchased. This date has to be documented by an invoice or other proof of purchase. The product is designed and dedicated to consumer and private use only. So there is no warranty provided in case of professional or commercial use.
- There is a possibility to extend for a part of the range of garden tools (AC/DC) the warranty period over the period described above using the registration on the [www.ryobitools.eu](http://www.ryobitools.eu) website. The eligibility of the tools for extension of the warranty period is clearly displayed in stores and / or on packaging / and contained within the product documentation. The end user needs to register his/her newly-acquired tools online within 30 days from the date of purchase. The end user may register for the extended warranty in his country of residence if listed on the online registration form where this option is valid. Furthermore, end users must give their consent to the storage of the data that are required to be entered online, and they have to accept the terms and conditions. The registration confirmation receipt, which is sent out by e-mail, and the original invoice showing the date of purchase will serve as proof of the extended warranty.
- The warranty covers all defects of the product during the warranty period due to defaults in workmanship or material at the purchase date. The warranty is limited to repair and/or replacement and does not include any other obligations including but not limited to incidental or consequential damages. The warranty is not valid if the product has been misused, used contrary to the instruction manual, or being incorrectly connected. This warranty does not apply to:
  - any damage to the product that is the result of improper maintenance
  - any product that has been altered or modified
  - any product where original identification (trade mark, serial number) markings have been defaced, altered or removed
  - any damage caused by non-observance of the instruction manual
  - any non CE product
  - any product that has been attempted to be repaired by a non-qualified professional or without prior authorization by Techtronix Industries
  - any product connected to improper power supply (amps, voltage, frequency)
  - any product used with inappropriate fuel mixture (fuel, oil, percentage of oil)
  - any damage caused by external influences (chemical, physical, shocks) or foreign substances
  - normal wear and tear spare parts
  - inappropriate use, overloading of the tool
  - use of non-approved accessories or parts
  - Any periodic adjustments to or maintenance cleaning of carburetors
  - Components (parts and accessories) subject to natural wear and tear, including but not limited to bump knobs, drive belts, clutch, blades of hedge trimmers or lawn mowers, harness, cable throttle, carbon brushes, power cord, tines, felt washers, hitch pins, blower fans, blower and vacuum tubes, vacuum bag and straps, guide bars, saw chains, hoses, connector fittings, spray nozzles, wheels, spray wands, inner reels, outer spools, cutting lines, spark plugs, air filters, gas filters, mulching blades, etc.
- For servicing, the product must be sent or presented to a RYOBI authorized service station listed for each country in the following list of service station addresses. In some countries your local RYOBI dealer undertakes to send the product to the RYOBI service organisation. When sending a product to a RYOBI service station, the product should be safely packed without any dangerous contents such as petrol, marked with sender's address and accompanied by a short description of the fault.
- A repair / replacement under this warranty is free of charge. It does not constitute an extension or a new start of the warranty period. Exchanged parts or tools become our property. In some countries delivery charges or postage will have to be paid by the sender. Your statutory rights arising from the purchase of the tool remain unaffected
- This warranty is valid in the European Community, Switzerland, Iceland, Norway, Liechtenstein, Turkey and Russia. Outside these areas, please contact your authorized RYOBI dealer to determine if another warranty applies.

### AUTHORISED SERVICE CENTRE

To find an authorised service centre near you, visit <http://uk.ryobitools.eu/header/service-and-support/service-agents>.

## FR RYOBI® CONDITIONS D'APPLICATION DE LA GARANTIE

En plus des droits statutaires liés à l'achat, ce produit est couvert par une garantie telle que décrite ci-dessous.

- La durée de la garantie accordée au consommateur est de 24 mois à partir de la date d'achat. Cette date doit être authentifiée par une facture ou tout autre preuve d'achat. Le produit a été conçu en vue d'une utilisation strictement privée. Aucune garantie ne s'applique donc en cas d'utilisation professionnelle ou commerciale.
- Il existe pour une partie de la gamme « jardin » (AC/DC), une possibilité d'étendre la période de garantie au-delà de la période précédemment décrite en utilisant le formulaire d'enregistrement présent sur le site Internet [www.ryobitools.eu](http://www.ryobitools.eu). L'éligibilité d'un outil est clairement affichée dans les points de vente et/ou sur l'emballage et la documentation. L'utilisateur final doit enregistrer son/ses outil(s) nouvellement acheté(s) en ligne dans les 30 jours qui suivent la date d'achat. L'utilisateur a la possibilité de s'enregistrer pour l'extension de garantie dans son pays de résidence si celui-ci est listé dans le formulaire d'enregistrement en ligne où cette option est valide. L'utilisateur final doit donner son consentement pour l'enregistrement des données requises pour accéder au site et doit accepter les termes et conditions. La confirmation d'enregistrement, envoyée par courrier électronique, ainsi que la facture originale mentionnant la date d'achat serviront de preuve de l'extension de garantie.
- La garantie couvre pendant la période de garantie les défauts des produits liés à la fabrication et aux matériaux à la date d'achat. La garantie est limitée à la réparation et/ou au remplacement et n'inclut aucune autre obligation, tel que, mais sans s'y limiter, les dommages accessoires ou indirects. La garantie est non valable en cas de mauvaise utilisation du produit, d'utilisation contraire aux instructions du mode d'emploi, ou en cas de branchement incorrect. Cette garantie ne s'applique pas pour :
  - tout dommage au produit résultant d'un mauvais entretien
  - tout produit ayant été altéré ou modifié
  - tout produit dont les marquages originaux d'identification (marque, numéro de série) ont été dégradés, altérés ou retirés
  - tout dommage causé par le non-respect des instructions du mode d'emploi
  - tout produit non CE
  - tout produit ayant subi une tentative de réparation par du personnel non qualifié ou sans autorisation préalable de Techtronix Industries
  - tout produit raccordé à une alimentation secteur non conforme (ampérage, voltage, fréquence)
  - tout produit utilisé avec un mélange inapproprié (essence, huile, pourcentage d'huile)
  - tout dommage causé par des influences extérieures (chimiques, physiques, chocs) ou par des substances étrangères
  - l'usure normale des pièces consommables
  - une utilisation inappropriée, une surcharge de l'outil
  - l'utilisation de pièces ou accessoires non agréés
  - Tout réglage périodique ou tout nettoyage de maintenance des carburateurs
  - les composants (pièces et accessoires) sujets à une usure naturelle, incluant de façon non exhaustive les têtes de fil à frapper, les courroies de transmission, les embrayages, les lames des taille-haies ou des tondeuses à gazon, les harnais, les câbles d'accélérateur, les charbons, les cordons d'alimentation, les fraises de cultivateurs, les rondelles feutre, les goupilles de fraise, les turbines et lame de broyage des souffleurs, les tubes de soufflage et d'aspiration des souffleurs, les sacs de souffleurs et leurs lanières, les guides-chaîne, les chaînes de tronçonneuses, les tuyaux et raccords, les buses et lances de nettoyeurs haute pression, les roues, les recharges de fil des têtes de coupe, les têtes de coupe, le fil de coupe, les bougies d'allumage, les filtres à air, les filtres à essence, etc.
- Si le produit doit être réparé, envoyez-le à un service après-vente agréé RYOBI dont vous trouverez ci-dessous la liste pour chaque pays. Dans certains pays, votre revendeur RYOBI se chargera d'envoyer le produit à un centre de réparation RYOBI. Lorsque vous envoyez un produit à un service après-vente RYOBI, celui-ci doit être correctement emballé, sans contenir aucun produit dangereux tel que de l'essence, et vous devez indiquer votre adresse ainsi qu'une courte description du problème.
- Une réparation / un remplacement sous garantie est gratuit(e). Ceci ne constituera pas une extension de garantie ni un nouveau départ de la période de garantie. Les pièces ou les outils remplacés deviennent notre propriété. Dans certains pays, les frais de port devront être assumés par l'expéditeur. Vos droits statutaires restent inchangés.
- Cette garantie est valable au sein de l'Europe, de la Suisse, de l'Islande, de la Norvège, du Liechtenstein, de la Turquie, de la Russie. En dehors de ces zones, veuillez contacter votre distributeur agréé RYOBI pour déterminer si une autre garantie s'applique.

### SERVICE APRÈS-VENTE AGRÉÉ

Pour trouver le service après-vente agréé le plus proche, rendez-vous sur <http://fr.ryobitools.eu/header/service-and-support/service-agents>.



## DE RYOBI® GARANTIEBEDINGUNGEN

Zusätzlich zu den obligatorischen Rechten aus dem Kauf gilt für dieses Produkt die nachstehend aufgeführte Garantie.

- Der Garantiezeitraum beträgt für Verbraucher 24 Monate und beginnt mit dem Datum des Kaufs. Dieses Datum muss durch eine Rechnung oder einen anderen Kaufbeleg dokumentiert werden. Dieses Produkt wurde ausschließlich zur privaten Nutzung durch Verbraucher entwickelt. Für den Fall einer professionellen bzw. kommerziellen Nutzung besteht daher keine Garantie.
- Es besteht die Möglichkeit, für einen Teil des Sortiments der Gartenwerkzeuge (AC/DC) den Garantiezeitraum über den oben genannten Zeitraum hinaus zu verlängern, indem der Verbraucher die Registrierung auf der Website [www.ryobitools.eu](http://www.ryobitools.eu) durchführt. Die Berechtigung der Werkzeuge für die Garantieverlängerung ist deutlich im Geschäft und/oder auf der Verpackung beschrieben und in der Produktdokumentation erwähnt. Der Verbraucher muss das neu erworbene Gerät online innerhalb von 30 Tagen ab dem Kaufdatum registrieren. Der Verbraucher kann das Gerät zwecks Garantieverlängerung in seinem Residenzland registrieren, wenn dieses Land auf dem Online-Registrierungsformular aufgeführt ist und die Option gültig ist. Darüber hinaus muss der Verbraucher seine Zustimmung zur Speicherung der Daten geben, die online eingegeben werden müssen, und er muss die allgemeinen Geschäftsbedingungen akzeptieren. Die Bestätigung der Registrierung, die per E-Mail versandt wird, und die Originalrechnung mit dem Kaufdatum gelten als Beleg für die Garantieverlängerung.
- Die Garantie deckt alle Defekte des Geräts während des Garantiezeitraums ab, die auf zum Zeitpunkt des Kaufs bestehende Verarbeitungs- oder Materialfehler zurückzuführen sind. Die Garantie beschränkt sich auf Reparatur und/oder Ersatz und beinhaltet keine anderen Verpflichtungen, einschließlich, aber nicht begrenzt auf Schadensersatz für Folge- oder Nebenschäden. Die Garantie gilt nicht, wenn das Gerät fehlerhaft eingesetzt wurde, gegensätzlich zur Bedienungsanleitung eingesetzt wurde oder falsch angeschlossen wurde. Die Garantie gilt nicht für Folgendes:
  - Schäden am Gerät, die auf unkorrekte Wartung zurückzuführen sind
  - Geräte, an denen Veränderungen vorgenommen wurden
  - Produkte, bei denen die ursprüngliche Identifizierung (Handelsmarke, Seriennummer) unleserlich gemacht, verändert oder entfernt wurde
  - Schäden durch Nichtbeachtung der Bedienungsanleitung
  - nicht-CE-zertifizierte Geräte
  - Geräte, an denen durch nicht-qualifizierte Personen oder ohne vorherige Genehmigung von Technicon Industries Reparaturversuche vorgenommen wurden
  - Geräte, die an unkorrekte Energiequellen (Ampere, Volt, Frequenz) angeschlossen wurden
  - Geräte, die mit einer fehlerhaften Treibstoffmischung (Treibstoff, Öl, Ölanteil) betrieben wurden
  - Schäden durch äußere Einflüsse (chemisch, physisch, Stöße) oder Fremdstoffe
  - normaler Verschleiß von Ersatzteilen
  - unangemessene Nutzung, Überlastung des Geräts
  - Nutzung nicht genehmigter Zubehörteile oder Ersatzteile
  - Regelmäßige Einstellung oder Wartungsreinigung des Vergasers
  - Komponenten (Ersatzteile und Zubehörteile), die natürlichem Verschleiß unterliegen, einschließlich, aber nicht beschränkt auf Pufferknäufe, Treibriemen, Kupplungen, die Klingen von Heckenschere und Rasenmähern, Kabelstränge, Gaszüge, Kohlebürsten, Stromkabel, Zinken, Filzunterlegscheiben, Steckbolzen, Gebläselüfter, Gebläse- und Vakuumschläuche, Vakuumbbeutel und -riemen, Führungsleisten, Kettensägen, Schläuche, Verbinder, Spraydüsen, Räder, Sprühstäbe, Innenrollen, Außenspulen, Schneideanlagen, Zündkerzen, Luftfilter, Gasfilter, Mulchenklingen usw.
- Zum Service muss das Gerät zu einer von RYOBI autorisierten Servicestation gebracht oder dorthin gesendet werden. Die Servicestationen für die einzelnen Länder sind in der folgenden Liste aufgeführt. In einigen Ländern sendet Ihr RYOBI-Händler vor Ort das Gerät an das RYOBI-Serviceunternehmen. Beim Einsenden an die RYOBI-Servicestation sollte das Gerät sicher verpackt sein, ohne gefährliche Inhalte wie Benzin, und es sollte mit der Adresse des Absenders und einer kurzen Beschreibung des Fehlers versehen sein.
- Eine Reparatur bzw. ein Ersatz gemäß dieser Garantie ist kostenlos. Hieraus ergibt sich weder eine Garantieverlängerung noch der Beginn eines neuen Garantiezeitraums. Die ausgetauschten Ersatzteile oder Werkzeuge gehen in unser Eigentum über. In einigen Ländern müssen die Zustellgebühren oder die Versandkosten vom Absender gezahlt werden. Ihre gesetzlichen Rechte aus dem Kauf des Geräts bleiben hiervon unberührt.
- Diese Garantie gilt in der Europäischen Union, der Schweiz, Island, Norwegen, Lichtenstein, der Türkei und Russland. Bitte wenden Sie sich außerhalb dieser Gebiete an Ihren autorisierten RYOBI-Händler, um festzustellen, ob eine andere Garantie gilt.

### AUTORISIERTER KUNDENDIENST

Besuchen Sie <http://de.ryobitools.eu/header/service-and-support/service-agents>, um einen autorisierten Kundendienst in Ihrer Nähe zu finden.

## ES CONDICIONES DE APLICACIÓN DE LA GARANTÍA DE RYOBI®

Además de cualquier derecho legal derivado de la compra, este producto está cubierto por una garantía que se indica a continuación.

- El periodo de garantía es de 24 meses para consumidores y comienza en la fecha en que se comprara el producto. Dicha fecha debe documentarse con una factura u otro comprobante de compra. El producto está diseñado y concebido únicamente para el uso privado del consumidor. Por lo tanto, no se ofrece garantía en caso de uso profesional o comercial.
- Existe la posibilidad de ampliar el periodo de garantía respecto a una parte de la gama de herramientas de jardinería (CA/CC) durante el periodo descrito más arriba y mediante el registro en el sitio web [www.ryobitools.eu](http://www.ryobitools.eu). La elegibilidad de las herramientas para que se amplie el periodo de garantía se muestra claramente en las tiendas o en el embalaje y está incluida en la documentación del producto. El usuario final tiene que registrar en línea sus herramientas recientemente adquiridas en un plazo de 30 días a partir de la fecha de compra. El usuario final podrá registrarse para obtener la garantía ampliada en su país de residencia si este aparece en la lista del formulario de registro en línea cuando esta opción sea válida. Además, los usuarios finales deberán dar su consentimiento al almacenamiento de los datos necesarios para el acceso en línea y tienen que aceptar los términos y condiciones. El recibo de confirmación de registro, que se envía por correo electrónico, y la factura original que muestra la fecha de compra servirán como comprobante para la garantía ampliada.
- La garantía cubre todos los defectos del producto durante el periodo de garantía debido a fallos de mano de obra o material en la fecha de compra. La garantía se limita a la reparación o sustitución y no incluye ninguna otra obligación como, por ejemplo, daños accidentales o consecuentes. La garantía no es válida si se ha usado mal el producto, se ha usado contraviniendo el manual de instrucciones o se ha conectado de forma incorrecta. Esta garantía no es aplicable a:
  - ningún daño en el producto que sea consecuencia de un mantenimiento inadecuado
  - ningún producto que haya sido alterado o modificado
  - ningún producto en el que los marcados de identificación originales (marca comercial, número de serie) se hayan borrado, modificado o eliminado
  - ningún daño provocado por no seguir el manual de instrucciones
  - ningún producto que no sea CE
  - ningún producto que haya sufrido un intento de reparación por parte de un profesional no cualificado o sin la autorización previa de Technicon Industries.
  - ningún producto conectado a un suministro eléctrico inadecuado (amperios, voltaje, frecuencia)
  - ningún producto usado con una mezcla de combustible inadecuada (combustible, aceite, porcentaje de aceite)
  - ningún daño causado por influencias externas (químicas, físicas, impactos) o sustancias extrañas
  - desgaste normal de piezas de repuesto
  - uso inadecuado, sobrecarga de la herramienta
  - uso de accesorios o piezas no aprobados
  - Cualquier ajuste periódico o limpieza de mantenimiento de los carburadores
  - Componentes (piezas y accesorios) sujetos al desgaste natural incluyendo, entre otros, pomos de golpes, correas de transmisión, embragues, cuchillas de cortasetos o cortacésped, ameses, cable del acelerador, escobillas de carbono, cables eléctricos, púas, discos de filtro, pasadores de enganche, ventiladores de soplador, tubos de aspiración y de soplado, bolsas y correas de aspiración, barras guías, cadenas de sierra, mangueras, herrajes de conectores, boquillas pulverizadoras, ruedas, lanzas pulverizadoras, bobinas interiores, carretes exteriores, líneas de corte, bujías, filtros de aire, filtros de gas, cuchillas de compostaje, etc.
- Para su mantenimiento, el producto debe enviarse o presentarse a una estación de servicio de RYOBI autorizada que figure en la siguiente lista de direcciones de estaciones de servicio por países. En algunos países, su distribuidor RYOBI local se responsabiliza de enviar el producto a la compañía de servicio de RYOBI. Cuando se envíe un producto a una estación de servicio de RYOBI, este debe estar empaquetado de forma segura sin contenidos peligrosos como gasolina, marcado con la dirección del remitente y acompañado de una breve descripción del fallo.
- Una reparación / sustitución con esta garantía es gratuita. No constituye una ampliación ni un nuevo comienzo del periodo de garantía. Las piezas o herramientas intercambiadas pasan a ser de nuestra propiedad. En algunos países, los gastos de envío o correo tendrá que pagarlos el remitente. Sus derechos legales derivados de esta compra de la herramienta no se verán afectados.
- Esta garantía es válida en la Unión Europea, Suiza, Islandia, Noruega, Lichtenstein, Turquía y Rusia. Fuera de estas zonas, póngase en contacto con su distribuidor de RYOBI autorizado para determinar si es aplicable otra garantía.

### SERVICIO TÉCNICO AUTORIZADO

Para encontrar el servicio técnico autorizado más cercano, visite <http://uk.ryobitools.eu/header/service-and-support/service-agents>.

## IT CONDIZIONI DI VALIDITÀ DELLA GARANZIA RYOBI®

In aggiunta ai diritti di legge risultanti dall'acquisto, il prodotto è coperto dalla garanzia sotto descritta.

- Il periodo di garanzia è di 24 mesi per i consumatori, a decorrere dalla data di acquisto del prodotto. La data deve essere documentata da una fattura o altra prova d'acquisto. Il prodotto è progettato e destinato solo all'utilizzo privato dei consumatori. Pertanto non viene fornita alcuna garanzia in caso di uso professionale o commerciale.
- Per una serie di utensili da giardino (CA/CC) è possibile prolungare il periodo di garanzia oltre quello descritto, registrandosi sul sito web [www.ryobitools.eu](http://www.ryobitools.eu). Gli utensili per i quali è possibile prolungare il periodo di garanzia sono chiaramente indicati nei negozi e/o sulle confezioni e nella documentazione dei prodotti. L'utente deve registrare online l'utensile acquistato entro 30 giorni dalla data di acquisto. L'utente può registrarsi per la garanzia prolungata nel proprio paese di residenza, se questo è elencato nel modulo di registrazione online dove questa opzione sia valida. Inoltre gli utenti devono fornire il proprio consenso alla conservazione dei dati da immettere online e devono accettare le condizioni generali. La conferma di registrazione, inviata tramite e-mail, e la fattura originale indicante la data di acquisto, costituiranno la prova della garanzia prolungata.
- La garanzia copre tutti i difetti del prodotto durante il periodo di garanzia, risultati da manodopera o materiali alla data di acquisto. La garanzia è limitata alla riparazione e/o sostituzione e non include alcun altro obbligo quali, a mero titolo esemplificativo, i danni incidentali o consequenziali. La garanzia non è valida se il prodotto è stato usato scorrettamente, in modo contrario al manuale di istruzioni o se è stato collegato in modo errato. La garanzia non è valida per:
  - qualsiasi danno al prodotto dovuto a manutenzione errata;
  - qualsiasi prodotto che sia stato alterato o modificato;
  - qualsiasi prodotto le cui marcature di identificazione originali (marchi di fabbrica, numero di serie) siano state cancellate, alterate o rimosse;
  - qualsiasi danno causato dalla non osservanza delle istruzioni del manuale;
  - qualsiasi prodotto privo di omologazione CE;
  - qualsiasi prodotto che sia stato sottoposto a un tentativo di riparazione da parte di un professionista non qualificato oppure senza la previa autorizzazione di Techtronic Industries;
  - qualsiasi prodotto collegato a un'alimentazione errata (per amperage, tensione, frequenza);
  - qualsiasi prodotto usato con una miscela di carburante errata (carburante, olio, percentuale di olio);
  - qualsiasi danno causato da influenze esterne (chimiche, fisiche, urti) o sostanze estranee;
  - la normale usura delle parti di ricambio;
  - uso inappropriato, sovraccarico dell'utensile;
  - uso di accessori o parti non omologate;
  - qualsiasi regolazione periodica o pulizia di manutenzione dei carburatori;
  - componenti (parti e accessori) soggetti alla normale usura compresi, a mero titolo esemplificativo, pomelli antiurto, cinghie di trasmissione, frizioni, lame di potasiepi o tagliaerba, cinghie da spalla, cavi della valvola a farfalla, spazzole al carbonio, cavi di alimentazione, denti, rondelle di feltro, perni di aggancio, ventole dei soffiatori, tubi di soffiatori e aspiratori, sacchetti e cinghie per aspirapolvere, barre guida, catene per seghe, tubi, raccordi di connessione, ugelli di spruzzo, ruote, erogatori, bobine interne ed esterne, linee di taglio, candele, filtri dell'aria, filtri del gas, lame per pacciamatura ecc.
- Per la manutenzione il prodotto dev'essere spedito o portato presso uno dei centri assistenza autorizzati RYOBI elencati per ogni paese nel seguente elenco di indirizzi dei centri. In alcuni paesi il rivenditore locale RYOBI si incarica di inviare il prodotto all'organizzazione di assistenza RYOBI. Quando si invia un prodotto a un centro assistenza RYOBI, imballarlo in modo sicuro senza contenuti pericolosi come la benzina, apporre l'indirizzo del mittente e accompagnarlo da una breve descrizione del guasto.
- La riparazione/sostituzione ai sensi della presente garanzia è gratuita. Non costituisce un prolungamento o un nuovo inizio del periodo di garanzia. Le parti o gli utensili scambiati diventano di nostra proprietà. In alcuni paesi i costi di consegna o di spedizione postale devono essere pagati dal mittente. I diritti di legge derivanti dall'acquisto dell'utensile rimangono inalterati.
- La presente garanzia è valida in Unione Europea, Svizzera, Islanda, Norvegia, Liechtenstein, Turchia e Russia. Al di fuori di tali aree contattare il rivenditore autorizzato RYOBI per sapere se è valida un'altra garanzia.

### CENTRO SERVIZI AUTORIZZATO

Per individuare il più vicino centro servizi autorizzato, visitare il sito <http://uk.ryobitools.eu/header/service-and-support/service-agents>.

## NL RYOBI® GARANTIEVOORWAARDEN

Naast de wettelijke rechten die voortvloeien uit de aankoop, wordt dit product gedekt door een garantie, zoals hieronder staat vermeld.

- De garantietermijn voor consumenten bedraagt 24 maanden en gaat in op de datum waarop het product is gekocht. Deze datum moet worden gedocumenteerd met een factuur of een ander aankoopbewijs. Het product is uitsluitend ontworpen en bedoeld voor persoonlijk gebruik door consumenten. Er wordt dus geen garantie gegeven voor professioneel of commercieel gebruik.
- Voor een deel van ons aanbod van tuingereedschappen (AC/DC) is het mogelijk om de garantietermijn te verlengen over de boven beschreven termijn, met behulp van de website [www.ryobitools.eu](http://www.ryobitools.eu). De gereedschappen die in aanmerking komen voor de verlenging van de garantietermijn wordt duidelijk weergegeven in winkels en/of verpakkingen en staat beschreven in de productdocumentatie. De eindgebruiker moet zijn/haar nieuw gekochte gereedschappen binnen 30 dagen na aankoop online registreren. De eindgebruiker kan zich registreren voor de verlengde garantietermijn als zijn woonland staat vermeld op het online registratieformulier waar deze optie geldig is. Bovendien moeten eindgebruikers toestemming geven voor de opslag van de gegevens die online ingevuld moeten worden en moeten ze de algemene voorwaarden accepteren. Het ontvangstbewijs van de registratie, dat per e-mail wordt verzonden en de oorspronkelijke factuur met de aankoopdatum vormt het bewijs van de verlengde garantietermijn.
- De garantie dekt tijdens de garantietermijn alle gebreken van het product vanwege defecten in vakmanschap of materiaal op de aankoopdatum. De garantie is beperkt tot reparatie en/of vervanging en bevat geen andere verplichtingen, waaronder maar niet beperkt tot incidentele of gevolgschade. De garantie is niet geldig als het product is misbruikt, in strijd met de gebruiksaanwijzing wordt gebruikt of onjuist is aangesloten. Deze garantie geldt niet voor:
  - alle schade aan het product die het gevolg is van onjuist onderhoud
  - elk product dat is veranderd of aangepast
  - elk product waar de oorspronkelijke identificatie (handelsmerk, serienummer) is beschadigd, gewijzigd of verwijderd
  - alle schade die is veroorzaakt door het niet opvolgen van de gebruiksaanwijzing
  - elk niet-CE-product
  - elk product waar een poging tot reparatie is gedaan door een niet-erkende professional of zonder voorafgaande toestemming door Techtronic Industries.
  - elk product dat is verbonden met een verkeerde voeding (amperage, spanning, frequentie)
  - elk product dat wordt gebruikt met een verkeerd brandstofmengsel (brandstof, olie, oliegehalte)
  - alle schade die is veroorzaakt door externe invloeden (chemisch, fysisch, schokken) of vreemde stoffen
  - normale slijtage van reserveonderdelen
  - ongepast gebruik, overbelasting van het gereedschap
  - gebruik van niet-goedgekeurde accessoires of onderdelen
  - Alle periodieke aanpassingen aan of het onderhoud en reiniging van carburateurs
  - Componenten (onderdelen en accessoires) die onderhevig zijn aan natuurlijke slijtage, waaronder maar niet beperkt tot stootknoppen, aandrijfriemen, koppelingen, messen van hegtrimmers of grasmaaiers, harnas, gaskabel, koolstofborstels, stroomsoeren, tanden, viltringen, koppelingsspannen, blazers, blaas- en zuigbuizen, zuigzakken en -riemen, gedingssstaven, zaagkettingen, slang, koppelingen, mondstukken, wielen, spuitstukken, binnenhaspels, buitenhaspels, snijdraden, bougies, luchtfilters, gasfilters, maaimessen, etc.
- Voor onderhoud moet het product worden verzonden of gebracht naar een erkend servicecentrum van RYOBI die voor elk land staan vermeld in de volgende lijst met adressen voor servicecentra. In sommige landen zal uw lokale RYOBI-dealer het product verzenden naar de RYOBI-serviceorganisatie. Wanneer u het product naar een servicecentrum van RYOBI verzendt, moet het product veilig worden verpakt zonder enige gevaarlijke inhoud, zoals benzine, met het adres van de afzender en vergezeld van een korte beschrijving van het defect.
- Een reparatie/vervanging die onder deze garantie valt is gratis. Het vormt geen verlenging of een nieuwe start van de garantietermijn. Verwisselde onderdelen of gereedschappen worden ons eigendom. In sommige landen moeten de verzendkosten door de afzender worden betaald. Uw wettelijke rechten die voortvloeien uit de aankoop van het gereedschap blijven onaangetaast.
- Deze garantie is geldig in de Europese Gemeenschap, Zwitserland, IJsland, Noorwegen, Liechtenstein, Turkije en Rusland. Buiten deze gebieden moet u contact opnemen met uw erkende RYOBI-dealer om vast te stellen of er een andere garantie van toepassing is.

### GEAUTORISEERD ONDERHOUDSCENTRUM

Om een geautoriseerd onderhoudscentrum in uw buurt te vinden, surf u naar <http://uk.ryobitools.eu/header/service-and-support/service-agents>.

## PT CONDIÇÕES DE APLICAÇÃO DA GARANTIA RYOBI®

Para além de quaisquer direitos previstos por lei resultantes da compra, este produto está coberto por uma garantia conforme descrição abaixo.

- O período da garantia é de 24 meses para consumidores particulares e inicia-se na data de compra do produto. Esta data tem de ser documentada por uma factura ou por outra prova de compra. O produto foi concebido para e destina-se apenas a consumidores particulares e uso privado. Assim, não é dada garantia em caso de utilização por profissionais ou uso comercial.
- Para uma parte da gama de ferramentas de jardim (AC/DC) existe a possibilidade de prolongamento do período da garantia para além do período descrito acima, mediante registo no Web site [www.ryobitools.eu](http://www.ryobitools.eu). A elegibilidade das ferramentas para prolongamento do período da garantia é claramente visível nas lojas e/ou nas embalagens e está contida na documentação do produto. O utilizador final tem de fazer o registo online das suas ferramentas recém-adquiridas no prazo de 30 dias após a data de compra. O utilizador final pode fazer o registo para prolongamento da garantia no seu país de residência, desde que esteja listado no formulário de registo online e para os casos em que esta opção seja válida. Para além disso, os utilizadores finais têm de autorizar o armazenamento dos dados cujo preenchimento lhes for solicitado online e têm de aceitar os termos e as condições. O recibo de confirmação do registo é enviado por e-mail e, em conjunto com a factura original ostentando a data de compra, servirá de prova do prolongamento da garantia.
- A garantia cobre todos os defeitos do produto durante o período da garantia devidos a defeitos de fabrico ou de material à data da compra. A garantia está limitada à reparação e/ou substituição e não inclui quaisquer outras obrigações, incluindo mas não se limitando a, perdas complementares ou indirectas. A garantia não é válida se o produto tiver sido utilizado incorrectamente, utilizado de forma contrária ao Manual de Instruções ou se as respectivas ligações tiverem sido feitas incorrectamente. Esta garantia não se aplica ao seguinte:
  - quaisquer danos ao produto que sejam resultado de manutenção incorrecta
  - qualquer produto que tenha sido alterado ou modificado
  - qualquer produto cujas marcações de identificação de origem (marca comercial, número de série) tiverem sido apagadas, alteradas ou retiradas
  - quaisquer danos causados pelo incumprimento do Manual de Instruções
  - qualquer produto que não seja da Comunidade Europeia
  - qualquer produto ao qual tenha sido feita, ou tentada fazer, uma reparação por outra pessoa que não um profissional habilitado ou sem autorização prévia da Technronic Industries.
  - qualquer produto ligado a uma fonte de alimentação eléctrica incorrecta (Amperes, Voltagem e Frequência)
  - qualquer produto utilizado com uma mistura de combustível incorrecta (combustível, óleo, percentagem de óleo)
  - qualquer dano causado por influências externas (químicas, físicas, impactos) ou substâncias estranhas
  - desgaste e degradação normal de sobresselentes
  - utilização incorrecta, sobrecarga da ferramenta
  - utilização de acessórios ou peças não aprovados
  - quaisquer ajustes periódicos a, ou limpeza de manutenção de, carburadores
  - Componentes (peças e acessórios) sujeitos a desgaste e degradação natural, incluindo mas não se limitando a, maçanetas anti-choque, correias de transmissão, embraiagens, lâminas de recortadores de sebes ou corta-relvas, arneses, cabos de acelerador, escovas de carvão, cabos eléctricos, dentes, anilhas de feltro, pinos de engate, ventoinhas do soprador, tubos do soprador e do aspirador, cintas e sacos do aspirador, barras de guia, correntes de serra, mangueiras, peças de ligação, bocais de pulverização, rodas, varinhas de pulverização, bobinas interiores, bobinas exteriores, linhas de corte, velas de ignição, filtros do ar, filtros de gasolina, lâminas trituradoras, etc.
- Para assistência, o produto tem de ser enviado para, ou apresentado em, um posto de assistência autorizado RYOBI, conforme listado para cada país na lista de moradas de postos de assistência seguinte. Nalguns países, o seu concessionário RYOBI local encarrega-se de enviar o produto para a organização de assistência RYOBI. Quando enviar um produto para um posto de assistência RYOBI, o produto deve ser embalado de forma segura, sem conter nenhuns conteúdos perigosos (por exemplo, gasolina), marcado com o endereço do remetente e acompanhado por uma breve descrição da avaria.
- Uma reparação/substituição ao abrigo desta garantia é gratuita. Não constitui um prolongamento a, nem um novo início de, o período da garantia. As peças ou ferramentas substituídas tornam-se propriedade nossa. Nalguns países, o remetente terá de pagar os custos de entrega ou a remessa postal. Os seus direitos previstos por lei resultantes da compra da ferramenta mantêm-se inalterados
- Esta garantia é válida na Comunidade Europeia, Suíça, Islândia, Noruega, Liechtenstein, Turquia e Rússia. Fora destas áreas, entre em contacto com o seu concessionário autorizado RYOBI para determinar se existe outra garantia aplicável.

### CENTRO DE ASSISTÊNCIA AUTORIZADO

Para encontrar um centro de assistência autorizado próximo de si, visite <http://uk.ryobitools.eu/header/service-and-support/service-agents>.

## DA RYOBI® BETINGELSER FOR GARANTI

Udover lovbestemte rettigheder, som resulterer af købet, er dette produkt dækket af en garanti, som anført herunder.

- Garantiperioden er 24 måneder for forbrugere og begynder på den dato, som produktet blev købt. Denne dato skal dokumenteres af en faktura eller andet bevis for køb. Produktet er udelukkende designet og dedikeret til forbrugere og privat brug. Så der ydes ingen garanti i tilfælde af professionel eller kommerciel brug.
- Der er en mulighed for at forlænge garantiperioden for en del af udvalget af haveværktøj (AC/DC), hen over den ovenfor beskrevne periode vha. registrering på hjemmesiden [www.ryobitools.eu](http://www.ryobitools.eu). Berettigelsen af værktøjet til forlængelse af garantiperioden er tydeligt vist i butikker og/eller på emballage/og indeholdt i produktokumentationen. Slutbruger skal registrere hans/hendes nyligt indkøbte værktøj online indenfor 30 dage efter købsdatoen. Slutbruger kan registrere sig for den forlængede garanti i sit land, hvis han/hun er opført på den online registreringsformular, hvor denne mulighed er gyldig. Derudover skal slutbrugere give deres samtykke til at opbevare data, som er påkrævet at indtaste online, og de er nødt til at acceptere vilkår og betingelser. Registreringsbekræftelseskvitteringen, som sendes ud på e-mail, og den originale faktura, som viser købsdatoen, vil fungere som bevis for den forlængede garanti.
- Garantien dækker alle defekter, som et produkt måtte have i løbet af garantiperioden, og som skyldes fejl i håndværk eller materiale på købsdatoen. Garantien er begrænset til reparation og/eller udskiftning og inkluderer ikke andre forpligtelser, inklusiv men ikke begrænset til tilfældige skader eller følgeskader. Garantien er ugyldig, hvis produktet er blevet misbrugt, brugt uden at overholde vejledningen, eller det er blevet forkert tilsluttet. Denne garanti gælder ikke:
  - Beskadigelse af produktet, som er et resultat af uegnet vedligeholdelse
  - Et produkt der er blevet ændret eller modificeret
  - Et produkt hvor de originale identifikationsmærkninger (varemærke, serienummer) er blevet ødelagt, ændret eller fjernet.
  - Enhver beskadigelse forårsaget af manglende overholdelse af vejledningen
  - Ethvert CE-produkt
  - Ethvert produkt som er blevet forsøgt repareret af en ukvalificeret professionel eller uden tidligere autorisation af Technronic Industries.
  - Ethvert produkt som er tilsluttet uegnet strømforsyning (ampere, spænding, frekvens)
  - Ethvert produkt som bruges med uegnet brændstofblanding (brændstof, olie, procentdel olie)
  - Enhver skade forårsaget af eksternt påvirkning (kemisk, fysisk, chok) eller fremmedlegemer
  - Normal slid på reservedele
  - Uegnet brug, overbelastning af værktøjet
  - Brug af ikke-godkendt tilbehør eller dele
  - Alle regelmæssige justeringer eller vedligeholdelsesrensning af karburatorer
  - Komponenter (dele og tilbehør) som er udsat for naturlig slid og ælde, inklusiv men ikke begrænset til drejknapper, drivrem, greb, klinger til hækketrimmere eller plæneklypere, sele, kabel gasspjæld, kulbørster, elledning, tænder, filtskiver, ophængstapper, blæserventilatorer, blæser- og sugeslanger, sugesepe og stropper, styrestrenger, savkæder, slanger, forbindelsespakninger, sprøjtedyser, hjul, sprøjtestave, indvendige ruller, udvendige ruller, udvendige spoler, skærelinjer, tændrør, luftfiltre, gasfiltre, tildekkningsblade etc.
- For eftersyn skal produktet sendes til eller præsenteres for en RYOBI-autoriseret servicestation, som er oplistet for hvert land i den følgende liste over servicestationsadresser. I nogle lande påtager din lokale RYOBI-forhandler sig ansvaret for at sende produktet til RYOBI-serviceorganisationen. Når et produkt sendes til en RYOBI-servicestation, skal det pakkes sikkert ind uden noget farligt indhold som benzin, mærkes med afsenderens adresse og med en kort beskrivelse af fejlen.
- En reparation/erstatning under denne garanti er gratis. Den udgør ikke en forlængelse eller en ny start på garantiperioden. Udvekslede dele eller værktøjer bliver vores ejendom. I nogle lande skal leveringsafgifter eller porto betales af afsenderen. Denne lovbestemte rettigheder i forbindelse med købet forbliver uanfægtede
- Denne garanti gælder i EU, Schweiz, Island, Norge, Liechtenstein, Tyrkiet og Rusland. Udover disse områder bedes du kontakte din autoriserede RYOBI-forhandler for at afgøre, om en anden garanti gælder.

### AUTORISEREDE SERVICE/VERKSTEDER

Find nærmeste autoriserede serviceværksted på <http://dk.ryobitools.eu/header/service-and-support/service-agents>.

## SV RYOBI® ANVÄNDNINGSVILLKOR FÖR GARANTI

Förutom eventuella lagstadgade rättigheter som uppstår genom köpet, täcks den här produkten av en garanti som anges nedan.

- Garantiperioden är 24 månader för konsumenter och börjar gälla från det datum då produkten köptes. Detta datum måste dokumenteras på en faktura eller annat köpbevis. Produkten är utformad och avsedd för konsumenter och privat bruk. Däremot tillhandahålls ingen garanti vid yrkesmässigt eller kommersiellt bruk.
- Det finns möjlighet att förlänga garantiperioden för en del av utbudet för trädgårdsverktyg (A/C/D/C) under den period som anges ovan genom att använda registreringen på webbplatsen [www.ryobitools.eu](http://www.ryobitools.eu). De verktyg som är berättigade till en förlängning av garantiperioden visas tydligt i butik och/eller på förpackningen/och anges i produktdokumentationen. Slut användaren behöver registrera hans/hennes nyförvärvade verktyg online inom 30 dagar från köpdatumet. Slut användaren kan registrera sig för den förlängda garantin i det land där han/hon bor om landet finns angivet i registreringsformuläret online och där detta alternativ är giltigt. Dessutom måste slut användaren ge sitt medgivande till lagring av data vilket krävs vid registrering online samt acceptera villkoren. Bekräftelsekvittot för registreringen som skickas ut via e-post och originalfakturan som visar köpdatumet kommer att gälla som bevis för den förlängda garantin.
- Garantin täcker alla produktdefekter under garantiperioden som beror på buster i utförande eller material vid köpdatumet. Garantin är begränsad gällande reparation och/eller utbyte och inkluderar inte några skyldigheter inklusive men inte begränsat till oförutsedda skador eller följdskador. Garantin är inte giltig om produkten har missbrukats, använts i strid med bruksanvisningen eller inte anslutits på rätt sätt. Denna garanti täcker inte:
  - eventuella skador på produkten som uppstått till följd av felaktigt underhåll
  - produkter som har ändrats eller modifierats
  - produkter där ursprungliga identifieringsmärkningar (varumärke, serienummer) har målats över, ändrats eller tagits bort
  - eventuella skador som uppstått till följd av att bruksanvisningen inte efterföljs
  - alla icke CE-produkter
  - eventuella produkter som har försökts repareras av en icke-kvalificerad yrkesman eller utan föregående medgivande från Techtron Industries.
  - eventuella produkter som anslutits till felaktig strömförsörjning (ampere, volt, frekvens)
  - eventuella produkter som använts med olämplig bränsleblandning (bränsle, olja, oljeprocent)
  - eventuella skador som uppstått till följd av yttre påverkan (kemisk, fysisk, stöt) eller främmande ämnen
  - normalt slitage av reservdelar
  - olämplig användning, överbelastning av verktyget
  - användningen av icke-godkända tillbehör eller delar
  - Eventuella periodiska justeringar av eller vid underhållsrengöring av förgasare
  - Komponenter (delar och tillbehör) är föremål för naturligt slitage, inklusive men inte begränsat till tryckknappar, drivremmar, koppling, blad till kantrimrar eller gräsklippare, sele, gasreglageväjare, kolborstar, strömladd, spetsar, filterbrickor, kopplingssprint, blåsfåkt, blås- och sugrör, sugpåse och remmar, styrskenor, sågkedjor, slangar, anslutningsdonrördel, spraymunstycken, hjul, spraystavar, innerrullar, ytterspoler, skärtråd, tändstift, luftfilter, gasfilter, sönderdelningsblad osv.
- Vid service måste produkten skickas eller uppvisas för en RYOBI- auktoriserad servicestation som står angiven för varje land i följande adresslista över servicestationer. I vissa länder tar din lokala RYOBI- återförsäljare på sig ansvaret att skicka produkten till RYOBI- serviceorganisationen. När en produkt skickas till en RYOBI- servicestation, ska produkten paketeras säkert utan något farligt innehåll såsom bensin, markeras med avsändarens adress samt en kort beskrivning av felet.
- En reparation/ett utbyte under denna garanti är kostnadsfri. Det utgör inte en förlängning eller förnyelse av garantiperioden. Utbyta delar eller verktyg blir vår egendom. I vissa länder måste leveranskostnader eller porto betalas av avsändaren. Dina lagstadgade rättigheter som härrör från köpet av verktyget förblir opåverkade
- Denna garanti är giltig i Europeiska gemenskapen: Schweiz, Island, Norge, Liechtenstein, Turkiet och Ryssland. Utanför dessa länder, kontakta din auktoriserade RYOBI-återförsäljare för att avgöra om en annan garanti gäller.

### AUKTORISERAT SERVICECENTER

Du hittar närmaste auktoriserade servicecenter genom att gå till <http://uk.ryobitools.eu/header/service-and-support/service-agents>.

## FI RYOBI®-TAKUUN SOVELTAMISEHDOT

Tällä tuotteella on oston luomien lakisäästeiden oikeuksien ohella alla mainitun mukainen takuu.

- Takuun kesto on kuluttajille 24 kuukautta ja takuuaika alkaa tuotteen ostohetkestä. Tämän päivämäärän tulee lukea laskussa tai muussa ostotositteessa. Tuote on suunniteltu ja tarkoitettu vain kuluttajien ja yksityiseen käyttöön. Takuu ei sisällä ammatti- eikä kaupallista käyttöä.
- Joidenkin puutarhatyökalujen (A/C/D/C) takuun kesto on mahdollista laajentaa yllä mainittua kestoja pidemmäksi verkkosivuston [www.ryobitools.eu](http://www.ryobitools.eu) rekisteröinnin kautta. Työkalujen kelpoisuus takuujakson laajennukseen näkyy selkeästi myymälössään ja/tai pakkauksissa ja/tai tämä tieto sisältyy tuotedokumentaatioon. Loppukäyttäjän täytyy rekisteröidä vasta hankitut työkalut internetissä 30 päivän kuluessa ostopäivämäärästä. Loppukäyttäjän voi rekisteröidä laajennettun takuun kotimaassaan, jos se on luetteluna online-rekisteröintilomakkeessa, jossa mainitaan, missä tämä vaihtoehto on voimassa. Loppukäyttäjien täytyy lisäksi hyväksyä tietojen tallennus, jotka heidän täytyy antaa online-tiassa sekä ehdot. Rekisteröintiin vahvistuskuitti, joka lähetetään sähköpostitse, ja alkuperäinen ostopäivämäärän ilmaiseva lasku toimivat laajennettun takuun tositteina.
- Takuu kattaa kaikki tuotteeseen takuuaikana tulevat vikat, joiden aiheuttajina ovat tuotteen ostopäivänä olleet valmistus- tai materiaaliavikat. Takuu on rajoitettu korjaukseen ja/tai vaihtoon eikä se sisällä mitään muita velvoitteita mukaan lukien satunnais- ja seurannaisvahinkoja, mutta rajoittumatta niihin. Takuu ei päde, jos tuotetta on käyretty väärin, käyttöohjeen vastaisesti tai jos se on liitetty virheellisesti. Tämä takuu ei kata:
  - virheellisestä huollosta johtuvia vaurioita
  - muunnettua tai muutettua tuotetta
  - tuotetta, jonka alkuperäiset tunnistemerkinnät (tavaramerkki, sarjanumero) on turmeltu, muutettu tai poistettu
  - tämän käyttöoppaan laiminlyönnistä johtuvia vaurioita
  - ei-CE-tuotetta
  - tuotetta, jota on yrittänyt korjata epäpätevä ammattilainen tai joka on korjattu ilman Techtron Industriesin ennakkolupaa.
  - tuotetta, joka on liitetty virheelliseen teholahteeseen (ampeerit, jännite, taajuus)
  - tuotetta, jossa on käyretty väärää polttoaineseosta (polttoaine, öljy, öljyprosentti)
  - ulkoisten vaikutusten (kemiallinen, fyysinen, iskut) tai vieraiden aineiden aiheuttamaa vauriota
  - normaleja kuluvia varaosia
  - virheellistä käyttöä, työkalun ylikuormitusta
  - ei-hyväksytyjen tarvikkeiden tai osien käyttöä
  - Kaasutinten säännöllistä säätöä tai ylläpitävää puhdistusta
  - Luonnollisesti kuluvia komponentteja (osia tai tarvikkeita), joihin sisältyvät puskunipit, käyttöohinat, kytkin, pensasleikkuriin tai ruohonleikkuriin terät, valjaat, kaasuvaijeri, hiiliharjat, virtajohto, piikit, huopatiivisteet, sokkatapit, puhallinten tuuletin, puhallin- ja imuputket, imuriin säkit ja hihnat, terälevyt, sahanketjut, letkut, liitinosat, suihkusuihuttimet, pyörät, ruiskutusputket, siisä- ja ulkokeilat, leikkusuimat, hehkutulpat, ilmansuodattimet, kaasunsuodattimet, silpputerät yms. näihin kuitenkaan rajoittumatta.
- Tuote on lähetettävä huollettavaksi valtuutettuun RYOBI-huoltoon tai näytettävä siellä. Niiden osoitteet kussakin maassa löytyvät seuraavasta luettelosta. Joissakin maissa paikallinen RYOBI-jälleenmyyjä huolehtii tuotteen lähetyksestä RYOBI-huolto-organisaatioon. Kun tuote lähetetään RYOBI-huoltoon, se täytyy pakata hyvin ilman vaarallisia aineita, kuten polttoainetta, ja pakkaukseen täytyy merkitä lähettäjän nimi sekä vian lyhyt kuvaus.
- Takuun kattama korjaus/vaihto on maksuton. Se ei tarkoita takuujakson laajennusta tai alkamista alusta. Vaihdetut osat tai työkalut siirtyvät valmistajan omistukseen. Joissakin maissa lähettäjän täytyy maksaa lähetyskustannukset tai postikulut. Työkalun oston luomat lakisäästeet oikeudet pysyvät koskemattomina
- Tämä takuu on voimassa Euroopan yhteisössä, Sveitsissä, Islannissa, Norjassa, Liechtensteinissä, Turkissa ja Venäjällä. Ota näiden alueiden ulkopuolella yhteyttä omaan valtuutettuun RYOBI-jälleenmyyjään ja selvitä, onko jatin muuta takuuta.

### VALTUUTETTU HUOLTO

Voit etsiä lähimmän valtuutetun huollon sivulta <http://fi.ryobitools.eu/header/service-and-support/service-agents>.

## NO RYOBI® GARANTIBETINGELSER

I tillegg til eventuelle lovbestemte rettigheter som følger av kjøpet, er dette produktet dekket av en garanti som angitt nedenfor.

- Garantiperioden er 24 måneder for konsumenter og gjelder fra den datoen som produktet ble kjøpt. Denne datoen skal dokumenteres med en faktura eller annet kjøpsbevis. Produktet er designet og beregnet kun til konsument- og privat bruk. Så det gis ingen garanti ved profesjonell eller kommersiell bruk.
- For en del av utvalget av hageverktøy (AC/DC) er det mulighet til å utvide garantiperioden i den perioden som er beskrevet ovenfor ved bruk av registreringen på nettsidene [www.ryobitools.eu](http://www.ryobitools.eu). Kvalifiseringen av verktøyene for en utvidelse av garantiperioden er tydelig vist i butikker og/eller på pakningen / og finnes innen produktdokumentasjonen. Sluttbrukeren må registrere sine nylig anskaffede verktøy online innen 30 dager etter kjøpsdato. Sluttbrukeren kan registrere seg for den utvidede garantien i sitt land hvis det er opplistet på online registreringsskjemaet der dette alternativet er gyldig. Videre må sluttbrukere gi sitt samtykke til oppbevaring av dataene som kreves for å gå online, og de må godta vilkår og betingelser. Registreringsbekreftelsen, som sendes ut på e-post, og den originale fakturaen som viser kjøpsdato, vil tjene som bevis for den utvidede garantien.
- Garantien dekker alle defekter i produktet under garantiperioden på grunn av defekter i utførelse eller materiale på kjøpsdato. Garantien er begrenset til å reparere og/eller erstatte og inkluderer ikke noen andre forpliktelser, inkludert, men ikke begrenset til, tilfældige eller følgesmessige skader. Garantien er ikke gyldig hvis produktet har blitt misbrukt, brukt på annen måte enn det som beskrives i bruksanvisningen eller er koblet til på feil måte. Denne garantien gjelder ikke for:
  - enhver skade på produktet som er resultat av utilstrekkelig vedlikehold
  - ethvert produkt som har blitt endret eller modifisert
  - ethvert produkt der de originale identifiseringsmerkene (varemerke, serienummer) har blitt uleselig, er endret eller fjernet
  - enhver skade som forårsakes av ikke-overholdelse av instruksjonshåndboken
  - ethvert ikke-CE-produkt
  - ethvert produkt som har blitt forsøkt reparert eller av en ikke-kvalifisert fagperson eller uten tidligere autorisasjon fra Techtronic Industries.
  - ethvert produkt tilkoblet feil strømforsyning (ampere, spenning, frekvens)
  - ethvert produkt som brukes med feil drivstoffblanding (drivstoff, olje, prosentandel olje)
  - enhver skade som er forårsaket av eksterne påvirkninger (kjemiske, fysiske, støt) eller fremmede stoffer
  - normal slitasje og slitereservedeler
  - feil bruk, overbelastning av verktøyet
  - bruk av ikke-godkjent tilbehør eller deler
  - Eventuelle periodiske justeringer av eller vedlikehold/rengjøring av forbrennere
  - Komponenter (deler og tilbehør) som er underlagt naturlig slitasje, inkludert, men ikke begrenset til bulkknøtter, drivreimer, clutch, blader på hekktrimmere eller gressklippere, seler, kabelspjeld, karbonborster, strømledning, kniver, felpakninger, heispinner, blåsefilter, blåse- og vakuumslang, vakuumpose og reimer, førerstenger, sagkjeder, strømper, koblingsmonteringer, spraydyser, hjul, spraystenger, indre spoler, ytre spoler, kuttelinjer, tennplugg, luftfilter, gassfilter, mulchingblader osv.
- For service må produktet sendes eller fremlegges for en RYOBI- autorisert servicestasjon opplistet for hvert land i den følgende listen over servicestasjonsadresser. I noen land sender den lokale RYOBI- forhandleren produktet til RYOBI serviceorganisasjonen. Ved å sende et produkt til en RYOBI servicestasjon skal produktet være sikkert pakket uten noe farlig innhold, slik som bensin, merket med senderens adresse og fulgt av en kort beskrivelse av feilen.
- En reparasjon/erstatning under denne garantien er gratis. Den utgjør ingen forlengelse eller en ny start av garantiperioden. Utvekslede deler eller verktøy blir vår eiendom. I noen land vil leveringskostnader eller fraktering måtte betales av senderen. Dine lovbestemte rettigheter som oppstår fra kjøp av verktøyet forblir uberørt.
- Denne garantien er gyldig i EU, Sveits, Island, Norge, Liechtenstein, Tyrkia og Russland. Utenfor disse områdene ta kontakt med din autoriserte RYOBI-forhandler om en annen garanti gjelder.

### AUTORISERT SERVICESENTER

For å finne et autorisert servicesenter i nærheten, gå til <http://no.ryobitools.eu/header/service-and-support/service-agents>.

## RU УСЛОВИЯ ПРИМЕНЕНИЯ ГАРАНТИИ НА ПРОДУКЦИЮ RYOBI®

Помимо законных прав, возникающих при покупке, данное изделие покрывается гарантией в соответствии с приведенными ниже пунктами.

- Гарантийный период для покупателя составляет 24 месяца с даты покупки изделия. Дата покупки должна быть подтверждена счетом или другим свидетельством покупки. Данное изделие предназначено только для частного использования покупателем. Поэтому гарантия не распространяется на использование в профессиональных или коммерческих целях.
- Предусмотрена возможность продления для части изделий линейки садовых инструментов (AC/DC) гарантийного периода с помощью регистрации на сайте [www.ryobitools.eu](http://www.ryobitools.eu). Право инструмента на продление гарантийного периода четко указано в магазинах и / или на упаковке / и содержится в сопутствующей инструменту документации. Конечный пользователь должен зарегистрировать свой приобретенный инструмент в течение 30 дней с даты покупки. Конечный пользователь может зарегистрировать свой инструмент на продление гарантии в стране своего проживания, если она указана в форме онлайн-регистрации. Кроме того, конечный пользователь должен дать свое согласие на хранение данных, которые необходимо ввести в онлайн-форму и принять правила и условия. Подтверждение регистрации, которое вы получите по электронной почте и оригинальный чек, в котором указана дата покупки, будут служить доказательством продленной гарантии.
- Гарантия покрывает в течение гарантийного периода все дефекты качества или материала изделия на дату покупки. Гарантия ограничена ремонтом и / или заменой и не включает никакие другие обязательства, включая, но не ограничиваясь, случайными или косвенными убытками. Гарантия становится недействительной, если изделие использовалось не по назначению, вопреки инструкции, данным в Руководстве пользователя или было неправильно подключено. Настоящая гарантия не распространяется на:
  - любые повреждения изделия в результате неправильного технического обслуживания
  - любые изделия, подвергшиеся изменениям и модификации
  - любые изделия, оригинальные идентификационные отметки которого (торговая марка, серийный номер) были повреждены, изменены или удалены
  - любые повреждения, вызванные несоблюдением инструкций Руководства пользователя
  - любые изделия, не относящиеся к CE
  - любые изделия, подвергшиеся попыткам ремонта неквалифицированным работником или без предварительного утверждения компанией Techtronic Industries.
  - любые изделия, подключенные к неправильному источнику питания (сила тока, напряжение, частота)
  - любые изделия, в которых использовались несоответствующие топливные смеси (топливо, масло, процент масла)
  - любые повреждения, вызванные внешними воздействиями (химические, физические, удары) или посторонними веществами (нормальный износ и разрыв запасных деталей)
  - несоответствующее использование, перегрузка инструмента
  - использование неутвержденных аксессуаров и запасных деталей
  - любые регулярные регулировки, технического обслуживания или чистка карбюраторов
  - компоненты (детали и аксессуары), подверженные естественному износу и разрыву, включая, но не ограничиваясь ручки головки, приводные ремни, сцепные муфты, лезвия триммеров и газонокосилок, плечевые ремни, кабельный дрессельный регулятор, угольные щетки, кабели питания, зубья, войлочные шайбы, пальцы щетки, вентиляторы воздуходувки, трубки воздуходувки и пылесоса, мешок для сбора мусора и ремни, пыльные шины, пыльные щетки, шланги, соединительные детали, распылительные насадки, колеса, распылительные переходники, внутренние и внешние катушки, режущую леску, свечи зажигания, воздушные и топливные фильтры, мультирукоятки лезвия и др.
- Для проведения технического обслуживания изделие следует направлять в авторизованные сервисные центры RYOBI, указанные для каждой страны в приведенном ниже списке адресов станций сервисного обслуживания. В некоторых странах местные дилеры RYOBI отправляют изделия в сервисные организации RYOBI. При отправке изделия в сервисный центр RYOBI, изделие должно быть безопасно упаковано и не содержать никаких опасных веществ, таких как бензин, должен быть подписан адрес отправителя и сопровождаться кратким описанием неисправности.
- Ремонт / замена проводится в рамках настоящей гарантии бесплатно. Он не продлевает гарантию и не начинает новый гарантийный период. Замененные детали и инструменты становятся нашей собственностью. В некоторых странах отправитель должен оплачивать стоимость отправки. Ваши законные права, возникающие при покупке инструмента, остаются неизменными.
- Данная гарантия действительна в Европейском Сообществе, Швейцарии, Исландии, Норвегии, Лихтенштейне, Турции и России. Вне указанных территорий обращайтесь к своему авторизованному дилеру RYOBI, чтобы узнать, применяются ли условия каких-либо других гарантий.

### УПОЛНОМОЧЕННЫЙ СЕРВИСНЫЙ ЦЕНТР

Чтобы найти ближайший уполномоченный сервисный центр, обратиться к веб-сайту <http://uk.ryobitools.eu/header/service-and-support/service-agents>.

## PL WARUNKI GWARANCJI RYOBI®

Oprócz praw ustawowych wynikających z zakupu produkt jest objęty gwarancją, której warunki podano poniżej.

- Okres gwarancyjny wynosi 24 miesiące dla konsumentów i rozpoczyna się w dniu zakupu produktu. Datę zakupu należy udokumentować fakturą lub innym dowodem zakupu. Produkt został zaprojektowany i jest przeznaczony do użytku konsumenckiego i prywatnego. W związku z tym gwarancja nie obejmuje zastosowań profesjonalnych i komercyjnych.
- Istnieje możliwość wydłużenia okresu gwarancyjnego dla części asortymentu narzędzi ogrodniczych (AC/DC) poprzez zarejestrowanie produktu na stronie internetowej [www.ryobitools.eu](http://www.ryobitools.eu). Kwalifikowalność narzędzi do wydłużenia okresu gwarancyjnego jest wyraźnie określona w sklepach i/lub na opakowaniu oraz w dokumentacji produktu. Użytkownik końcowy musi zarejestrować nowo kupione narzędzia online w ciągu 30 dni od daty zakupu. Użytkownik końcowy może zarejestrować się w celu przedłużenia gwarancji w swoim kraju zamieszkania, jeżeli jest on wymieniony w formularzu rejestracji online, gdzie opcja ta obowiązuje. Ponadto użytkownicy końcowi muszą wyrazić zgodę na przechowywanie danych, wprowadzanych na stronie internetowej i zaakceptować regulamin. Dowodem wydłużenia gwarancji jest wysłane pocztą elektroniczną potwierdzenie rejestracji i oryginał faktury potwierdzającej datę zakupu.
- Gwarancja obejmuje wszystkie wady produktu ujawnione w okresie gwarancyjnym wynikające usterkę wykonania lub materiału obecnych w dniu zakupu. Gwarancja jest ograniczona do naprawy lub wymiany i nie obejmuje żadnych innych zobowiązań, w tym między innymi odpowiedzialności za szkody przypadkowe lub włorne. Gwarancja nie obowiązuje, jeżeli produkt był nieprawidłowo używany, używany niezgodnie z instrukcją lub nie był prawidłowo podłączony. Gwarancja nie obejmuje:
  - uszkodzenia produktu wynikającego z nieprawidłowej konserwacji,
  - produktu, który został zmieniony lub zmodyfikowany,
  - produktu, którego oryginalne oznaczenie (znak towarowy, numer seryjny) zostało zniszczone, zmienione lub usunięte,
  - jakiegokolwiek uszkodzeń wynikających z nieprzestrzegania instrukcji,
  - jakiegokolwiek produktu bez certyfikatu CE,
  - jakiegokolwiek produktu, który próbowano naprawiać z pomocą niewykwalifikowanej osoby lub bez uzyskania wcześniejszej zgody firmy Techtronic Industries,
  - jakiegokolwiek produktu podłączonego nie nieprawidłowego źródła zasilania (nieprawidłowe nateżenie prądu, napięcie, częstotliwość),
  - jakiegokolwiek produktu, który był używany z nieprawidłową mieszanką paliwową (paliwo, olej, procentowy udział oleju),
  - jakiegokolwiek uszkodzeń spowodowanych wpływem czynników zewnętrznych (chemicznych, fizycznych, drgan) lub substancji obcych,
  - normalnego zużycia części zamiennych,
  - nieprawidłowego użycia, przeciążenia narzędzia,
  - stosowania niezatwierdzonych akcesoriów lub części,
  - jakiegokolwiek okresowych regulacji lub czyszczenia gaźników w ramach konserwacji
  - elementów (części i akcesoriów) podlegających naturalnemu zużyciu, obejmujących, między innymi, kopułki do zwalniania żyłki, pasy napędowe, sprzęgło, ostrza przycinarek do żywopłotów lub kosiarek do trawy, uprząż, przepustnicę linkową, szczotki węglowe, przewód zasilania, zęby, podkładki filcowe, kołki podnośnika, wentylatory dmuchawy, rury nadmuchowe i ssawne, worek na śmieci i paski, prowadnice, łańcuchy piły, węże, mocowanie złącz, dysze natryskowe, kółka, przęty natryskowe, szpule wewnętrzne, szpule zewnętrzne, filtry gazu, ostrza do ściółkowania itp.
- W celu serwisowania produkt należy wysłać lub okazać w autoryzowanym punkcie serwisowym RYOBI znajdującym się na przedstawionym poniżej wykazie punktów serwisowych w poszczególnych krajach. W niektórych krajach lokalny dystrybutor produktów RYOBI podejmuje się wysyłki produktu do centrum serwisowego RYOBI. W przypadku wysyłki do punktu serwisowego RYOBI produkt — pozbawiony jakiegokolwiek niebezpiecznych substancji, na przykład benzyny — należy bezpiecznie zapakować i dołączyć adres nadawcy oraz krótki opis usterki.
- Naprawa/wymiana w ramach niniejszej gwarancji jest bezpłatna. Nie stanowi jednak o przedłużeniu lub rozpoczęciu od nowa biegu okresu gwarancyjnego. Wymienione części lub narzędzia stają się naszą własnością. W przypadku niektórych krajów nadawca będzie musiał uregulować koszty dostawy lub opłaty pocztowe. Prawa ustawowe wynikające z zakupu narzędzia pozostają niezmiennione.
- Niniejsza gwarancja obowiązuje w Unii Europejskiej, Szwajcarii, Islandii, Norwegii, Liechtensteinie, Turcji i Rosji. Poza tymi obszarami należy skontaktować się z autoryzowanym dostawcą produktów RYOBI i ustalić, czy obowiązuje inna gwarancja.

### AUTORYZOWANY PUNKT SERWISOWY

Najbliższy autoryzowany punkt serwisowy można wyszukać w witrynie internetowej <http://uk.ryobitools.eu/header/service-and-support/service-agents>.

## CS ZÁRUČNÍ PODMÍNKY RYOBI®

Kromě zákonných práv vyplývajících z koupě výrobku se na tento výrobek vztahuje také níže uvedené záruka.

- Záruční doba pro spotřebitele je 24 měsíců a začíná datem nákupu výrobku. Datum musí být zaznamenáno na fakturě nebo jiném dokladu o koupi. Tento výrobek je navržen a určen pouze pro soukromé účely spotřebitelů. Záruka se tedy nevztahuje na profesionální nebo komerční využití výrobku.
- U některých zahradních nástrojů (AC/DC) je možné záruční dobu prodloužit. K tomu je nutná registrace na stránkách [www.ryobitools.eu](http://www.ryobitools.eu). Možnost prodloužené záruční doby výrobků je jasně uvedena v probejácích, popř. na obalech nebo v dokumentech o výrobku. Koncový uživatel musí svůj nový nástroj zaregistrovat online do 30 dnů od data nákupu. Koncový uživatel se může k prodloužené záruční době zaregistrovat v zemi trvalého pobytu, pokud je tato uvedena na internetovém registračním formuláři u výrobku, kde je tato možnost dostupná. Koncový uživatel musí dále souhlasit s uložením osobních údajů, která musí zadat na internetu, a přijmout obchodní podmínky. E-mail s potvrzením registrace a původní faktura s datem koupě poslouží jako důkaz o prodloužené záruce.
- Záruka se vztahuje na veškeré vady na výrobku v rámci záruční doby způsobené výrobními vadami nebo vadami materiálu v době koupě. Záruka je omezena na opravu, popřípadě výměnu a nezáhměně žádné další povinnosti, včetně mimo jiné vedlejších či následných odškodnění. Záruka neplatí při použití výrobku k nevhodným účelům, v rozporu s uživatelskou příručkou nebo při nesprávném zapojení. Záruka se nevztahuje na:
  - veškeré škody na výrobku způsobené nesprávnou údržbou
  - veškeré produkty, které byly poškozeny nebo upraveny
  - veškeré produkty, kde byly původní identifikační prvky (obchodní značka, sériové číslo) poničeny, pozměněny nebo odstraněny
  - veškeré škody způsobené nedodrženými pokyny uživatelské příručky
  - veškeré produkty bez CE certifikace
  - veškeré produkty, které se pokusil opravit nekvalifikovaný odborník nebo opravy bez předchozího svolení společnosti Techtronic Industries.
  - veškeré produkty zapojené do nesprávného elektrického zdroje (proud, napětí, frekvence)
  - veškeré produkty používané s nevhodnou palivovou směsí (palivo, olej, procento oleje)
  - veškeré škody způsobené externími vlivy (chemickými, fyzickými, nárazy) nebo cizími látkami
  - běžné opotřebování dílů
  - nevhodné použití, přetěžování nástroje
  - použití neschválených příslušenství nebo dílů
  - veškerá pravidelná seřízení nebo čištění v rámci údržby karburátoru
  - komponenty (díly a příslušenství) podléhající opotřebení, včetně mimo jiné nárazových koleček, posuvných pásů, spojek, nožů plotových nůžek a sekaček na trávu, popruhu, plynového lanka, karbonových kartáčů, napájecího kabelu, zubů, plstěných podložek, závěsných kolků, větráků fukaru, trubic fukaru a vysavače, vaku a popruhu vysavače, vodičů lišt, pilových řetězů, hadic, konektorů, trysek, kol, stříkaček tyčí, vnitřních cívek, vnějších kotevů, řezných strun, zapalovacích svíček, vzduchových filtrů, plynových filtrů, mulčovacích nožů atd.
- K provedení servisu musí být výrobek zaslán nebo předán do autorizovaného servisního centra společnosti RYOBI, jejichž adresy jsou uvedeny podle země v seznamu servisních center. V některých zemích za vás výrobek pošle servisní organizaci RYOBI sám prodejce výrobků této značky. Při zasílání výrobku do servisního centra RYOBI je potřeba výrobek bezpečně zabalit bez nebezpečného obsahu jako benzin, opatřit adresou odesílatele a přiložit krátký popis závady.
- Oprava, popř. výměna v rámci této záruky je zdarma. Neznamená to prodloužení nebo začátek nové záruční lhůty. Vyměněné díly nebo nástroje přejdou do našeho vlastnictví. V některých zemích platí postovné odesílatele. Vaše zákonná práva vyplývající z koupě tohoto nástroje zůstávají nedotčena.
- Tato záruka platí v Evropském Společenství, Švýcarsku, Norsku, Lichtenštejnsku, Turecku, Rusku a na Islandu. Mimo tato území kontaktujte autorizovaného prodejce značky RYOBI, který zjistí, zda se na výrobek vztahuje jiná záruka.

### POVĚŘENÉ SERVISNÍ STŘEDISKO

Pro nalezení nejbližšího pověřeného servisního střediska navštivte <http://uk.ryobitools.eu/header/service-and-support/service-agents>.

## HU A RYOBI® GARANCIA ALKALMAZÁSÁNAK FELTÉTELEI

A vásárlásból addó törvényben rögzített jogok mellett a termékre az alábbi garancia vonatkozik.

1. A fogyasztói garancia tartama 24 hónap, mely a termék vásárlásának napjával kezdődik. Ezt a dátumot számlával vagy a vásárlást igazoló egyéb dokumentummal kell bizonyítani. A termék rendelkezése csak fogyasztói és magáncélt használhat. Ezért professzionális vagy kereskedelmi használat esetén a garancia nem érvényes.
2. A kerti szerszámok (egyenáramú/váltóáramú) egy részénél a garancia időtartama a [www.ryobitools.eu](http://www.ryobitools.eu) weblapon regisztrálva meghosszabbítható. Az áruházakban, a csomagolásban, illetve a termék dokumentációjában egyértelműen jelezve van, hogy az adott termék garanciája meghosszabbítható-e. A végfelhasználónak a vásárlás dátumától számított 30 napon belül regisztrálnia kell az újonnan vásárolt szerszámot. A végfelhasználó akkor regisztrálhat a kiterjesztett garanciára, ha az ország, ahol lakik, fel van sorolva az online regisztrációs űrlapon azon országok között, ahol választható ez az opció. Ezenkívül a végfelhasználónak bele kell egyeznie az online regisztrálás során szükséges adatok tárolásába, és el kell fogadnia a felhasználási feltételeket. A kiterjesztett garanciát a regisztráció beérkezésétől e-mailben küldött visszaigazolás és a vásárlás dátumát tartalmazó eredeti számla igazolja.
3. A garancia a termék vásárlásakor fennálló, a gyártás során keletkezett hibákra és anyaghibákra érvényes a garanciális időtartamon belül. A garancia csak a javításra/cserére korlátozódik, és nem terjed ki semmilyen egyéb kötelezettségre, nem kizárólagosan ideértve a véletlen vagy szándékos rongálást. A garancia nem érvényes, ha a terméket nem megfelelően, a használati utasításban foglaltakkal ellentétben, illetve nem megfelelően csatlakoztatva használták. A garancia nem vonatkozik:
  - a terméket a nem megfelelő karbantartás következtében ért károsodásra
  - megváltoztatott vagy átalakított termékre
  - olyan termékre, melyben az eredeti azonosítókat (védjegy, sorozatszám) megrongálták, megváltoztatták vagy eltávolították
  - a használati utasítás be nem tartásából eredő kárra
  - CE jelöléssel nem rendelkező termékekre
  - olyan termékre, melyet nem képzett, illetve a Techtronic Industries által nem feljogosított szerelő javított
  - nem megfelelő (áramerősségű, feszültségű, frekvenciájú) áramforrásra csatlakoztatott termékre
  - nem megfelelő üzemanyag-keverékkel (üzemanyag, olaj, olaj aránya) használt termékre
  - külső (vegyi, fizikai, ütés) hatásokból vagy idegen anyagokból eredő károkra
  - a cserélhető alkatrészek természetes kopására és elhasználódására a szerszám helytelen használatára, túlterhelésére
  - nem jóváhagyott tartozékok és alkatrészek használatára
  - A karburátorok rendszeres beállítása, karbantartása, tisztítása
  - A természetes kopásnak és elhasználódásnak kitett alkatrészek és kiegészítők, például (de nem kizárólag) damildobok, ékszíjak, foglalatok, sövényvágók és fűnyírók kése, heveder, gázbowden, szénkéfék, tápkábel, kultivátorfogak, filcátlétek, akasztószőkek, fűvókészülékek ventilátora, fűvő- és szívócsovek, szívózsák és pántok, terelőrudak, fűrészláncok, tömlők, csatlakozószerelvények, permetezőfejek, kerekek, permetezőszárak, belső dobok, külső csévék, vágódamillók, gyújtógyertyák, légszűrők, gázsűrők, mulcsözőkék stb.
4. A terméket javításra el kell vinni egy meghatalmazott RYOBI szervizbe; ezeket az egyes országokhoz a következő listában találja. Egyes országokban a helyi RYOBI kereskedő vállalja a termék elszállítását a RYOBI szervizbe. A terméket veszélyes tartalom, például benzín nélkül csomagolva, a feladó címét feltüntetve, a hiba rövid leírásával együtt küldje el a RYOBI szervizbe.
5. A jelen garancia hatálya alatt végzett javítás, illetve csere ingyenes. Nem jelenti a garanciális időtartam újraindulását. A kicserélt alkatrészek és szerszámok a mi tulajdonunkba kerülnek. Egyes országokban a szállítási vagy postázás költségét a feladó viseli. A vevőnek a szerszám megvásárlásából addó törvényes jogai nem változnak.
6. Jelen garancia az Európai Közösségben, Svájcban, Izlandon, Norvégiában, Liechtensteinben, Törökországban és Oroszországban érvényes. E területen kívül kérdezze meg a RYOBI forgalmazót, hogy milyen garancia van érvényben.

### HIVATALOS SZERVIZKÖZPONT

A legközelebbi hivatalos szervizközpont megtalálásához látogasson el a <http://uk.ryobitools.eu/header/service-and-support/service-agents>.

## RO CONDIȚII DE APLICARE A GARANȚIEI PENTRU PRODUSELE RYOBI®

În plus față de condițiile statutare rezultate din achiziționarea acestui produs, acesta este acoperit de garanția stipulată mai jos.

1. Perioada de garanție este de 24 de luni pentru consumatori și începe de la data achiziționării produsului. Data de începere a garanției trebuie demonstrată cu o factură și/sau altă dovadă a cumpărării produsului. Produsul este destinat și conceput doar pentru utilizare în scopuri personale. Din acest motiv, nu se oferă garanție pentru utilizarea sa în scop profesional sau comercial.
2. Există posibilitatea de extindere a perioadei de garanție pentru gama de unelte electrice pentru grădina (de CA/CC) peste perioada stipulată mai sus prin înscrierea produsului pe website-ul [www.ryobitools.eu](http://www.ryobitools.eu). Eligibilitatea pentru perioada de extindere a garanției este afișată în mod clar în magazinele de vânzare și/sau pe ambalaj sau este inclusă în documentația livrată împreună cu produsul. Utilizatorul final este obligat să-și înregistreze produsul online în termen de maxim 30 de zile de la achiziția acestuia. Utilizatorul final poate înregistra produsul pentru garanția extinsă oferită în țara sa de rezidență dacă aceasta este listată în formularul de înregistrare online și dacă această opțiune este validă. În plus, utilizatorul final trebuie să-și dea acordul pentru stocarea datelor personale solicitate la înregistrarea online și trebuie să accepte termenii și condițiile. Mesajul de confirmare a înregistrării, trimis prin e-mail și factura originală cu data achiziției vor dovedi perioada de garanție extinsă.
3. Garanția acoperă toate defecțiunile produsului survenite în perioada de garanție datorate defectelor de execuție sau materialelor folosite, începând cu data achiziției acestuia. Garanția este limitată la reparare și/sau înlocuire și nu include alte obligații, inclusiv, dar fără a se limita la daune accidentale sau rezultate pe cale de consecință. Garanția își pierde valabilitatea dacă produsul este utilizat necorespunzător, utilizat neconform cu instrucțiunile de utilizare din manualul cu instrucțiuni sau conectat incorect. Garanția nu se aplică în cazul:
  - oricărei defecțiuni survenite în urma întretinerii necorespunzătoare a produsului
  - oricărui produs alterat sau modificat
  - oricărui produs la care inscripțiile cu datele de identificare (marca comercială, numărul de serie) au fost șterse, modificate sau îndepărtate
  - oricărei defecțiuni datorate neconformării cu instrucțiunile din manualul de utilizare
  - oricărui produs necertificat CE
  - oricărui produs asupra căruia au fost efectuate tentative de reparare de către personal necalificat sau fără autorizație prealabilă din partea Techtronic Industries.
  - oricărui produs conectat la o sursă de alimentare necorespunzătoare (curent, tensiune, frecvență)
  - oricărui produs utilizat cu un amestec de carburant necorespunzător (combustibil, ulei, proporții de adaos ulei)
  - oricăror defecțiuni datorate unor influențe externe (chimice, fizice, socuri) sau substanțe străine
  - uzurii și fisurării normale a pieselor de rezervă
  - utilizării neadecvate, suprasolicitării uneleiți
  - utilizării de piese și accesorii neaprobate
- Orice operații de curățare sau reglare periodică a carburatoarelor
- Componentele (piese și accesorii) supuse uzurii și defecțiilor normale, care includ, fără a se limita la manșoane de protecție, curele de transmisie, ambreiaj, lamele de la tăietoarele de arbore sau gazon, furturnuri, accesorii de conectare, bare de pulverizare, volante, baghete de pulverizare, moșoare interne, carcasa exterioră pentru moșoare, fire tăietoare, bujii, filtre de aer, filtre de gaz, lame de tocător, etc.
4. Pentru efectuarea reparațiilor, produsul trebuie trimis sau adus la un centru de reparații autorizat RYOBI din lista următoare de centre de reparații prezentate pentru fiecare țară. În anumite țări, reprezentatul local RYOBI va trimite produsul spre reparare la sediul centrului de reparații RYOBI. Atunci când trimiteți produsul spre reparare la un centru de reparații RYOBI, acesta trebuie ambalat în siguranță, fără conținut periculos (cum ar fi benzina), marcat cu adresa expeditorului și însoțit de o scurtă descriere a defectului.
5. Repararea/înlocuirea în perioada de garanție este gratuită. Aceasta nu este însoțită de o prelungire sau o reiniițire a perioadei de garanție. Piese sau unelte schimbate devin proprietatea dvs. În anumite țări, taxele de expediție sau poștale vor fi suportate de expeditor. Drepturile dvs. statutare rezultate din achiziția produsului rămân neschimbate
6. Această garanție este valabilă în Comunitatea Europeană, Elveția, Islanda, Norvegia, Liechtenstein, Turcia și Rusia. În afara acestor zone, vă rugăm să contactați reprezentantul dvs. local RYOBI pentru a determina dacă se aplică alt tip de garanție.

### CENTRU DE SERVICE AUTORIZAT

Pentru a găsi un centru de service autorizat lângă dvs., vizitați <http://uk.ryobitools.eu/header/service-and-support/service-agents>.





## ET RYOBI® GARANTIIINGIMUSED

Lisaks toote ostust tulenevatele seadusjärgsetele õigustele, kehtib tootele ka alltoodud garantiiga.

- Tarbijatele on garantiiaeg 24 kuud ja algab sellel kuupäeval, mil toode osteti. Selle kuupäeva tähtsuseks on vaja arvet või mõnda teist tõendit ostu sooritamise kohta. Toode on mõeldud eratarbijatele ainult isiklikeks kasutamiseks. Seega ei kehti garantiid ostu kasutamisel kutsetegevuses või kaubanduslikel eesmärkidel.
- Teatud osale (vahelduvvoolu/alalisvoolu) aiatööriistadele on võimalik pikendada eespool toodud garantiiaega, kasutades toote registreerimist veebilehel [www.ryobitools.eu](http://www.ryobitools.eu). Teave tööriista võimaliku pikendatud garantiiaja kohta on selgelt esile toodud poodides ja/või pakendil / ning see sisaldub toote dokumentatsioonis. Lõpptarbijaja peab registreerima oma uued tööriistad interneti teel 30 päeva jooksul pärast ostupäeva. Lõppkasutaja võib registreerida pikendatud garantiiaja saamise oma elukohariigis, kui veebis olevas registreerimisvormis on see valik lubatud. Lisaks peavad kasutajad andma oma nõusoleku veebis nõutud sisestatavate andmete säilitamiseks ning nad peavad nõustuma tingimustega. E-posti teel saadetak registreerimise kinnitus ja arve originaal, kus on näha ostu sooritamise kuupäev, on pikendatud garantiiaja tähtsuseks.
- Garantii katab kõik defektid toote garantiiaja jooksul, kui ostu kuupäeval ilmuvad talitus- või materjalivead. Garantii piirub toote remondi ja/või väljavahetamisega ning ei sisalda muid kohustusi, muu hulgas ettenägematuid või kaudeise kahjusid. Garantii ei kehti, kui toodet ei ole kasutatud sihtotstarbelselt või kooskõlas kasutusjuhendiga või see on valesti ühendatud. Garantii ei kehti järgmistel põhjustel:
  - toode on kahjustatud vale hoolduse tõttu
  - toodet on muudetud
  - toote algapärased identifitseerimismärgised (kaubamärk, seerianumber) on rikutud, muudetud või eemaldatud
  - kahju on tekkinud kasutusjuhendi mittejärgimisest
  - tootel puudub CE-märgis
  - toodet on püüdnud remontida vastavalt kvalifikatsiooni mitte omav isik või ilma firma Techtronic Industries eelneva loata.
  - toode on ühendatud valesse toiteallikasse (voolutugevus, pinge, sagedus)
  - tootega kasutati sobimatut kütusesegu (kütus, õli, õli protsent)
  - välismõjude (keemilised, füüsilised, elektrilöögid) või võõrkehade tekitatud kahju
  - tavapärase kulumine ja katkised varuosad
  - ebaõige kasutamine, tööriista ülekoormamine
  - hea kiitmata tarvikute või osade kasutamine
  - Karbuaritorite korralised reguleerimistööd või hooldus- ja puhastustööd
  - Komponendid (osad ja tarvikud), mida iseloomustab kulumine ja vananemine, muu hulgas puutenupud, kilirihmad, sidur, heklõikurite või muruniidukite lõiketerad, rakmed, gaasross, süsinikharjad, tõejuhe, freestierad, viildist seibid, tihvtid, õhuventilaatorid, puhuri- ja imuritruud, kogumiskott ja rihmad, juhikud, säeketid, voolikud, liitmikud, pihusti otsakud, rattad, pritsi varred, sisemised poolid, välismised poolid, jõhvõid, sütekeetõulad, õhufiltrid, gaasifiltrid, multšimisterad jne.
- Hoolduseks peab toode saatma või viima RYOBI volitatud teenindusse, mille aadressi leiata järgnevast teeninduspunkti nimekirjast vastava riigi alt. Mõnedes riikides võtab kohalik RYOBI edasimüüja enda kanda kohustuse saata toode RYOBI teenindusorganisatsiooni. Toote saatmisel RYOBI teenindusse peab toode olema ohutult pakitud ja ei tohi sisaldada ohtlikke aineid (nt bensiini), kirjas peab olema saatja aadress ja lisatud vea lühikirjeldus.
- Garantii alusel tehtavad remonditööd / asendamised on tasuta. See ei pikenda garantii kehtivusaega ega tähista uue garantiiaja algust. Väljavahetatud osad või tööriistad kuuluvad meile. Mõnedes riikides maksab kättevõetlemis- ja postikulud saatja. Teile jäävad kehtima tööriista ostust tulenevad seadusjärgsed õigused.
- See garantii kehtib Euroopa Ühenduse territooriumil, Šveitsis, Islandil, Norras, Liechtensteinis, Türgis ja Venemaal. Väljaspool neid piirkondi võtke ühendust volitatud RYOBI edasimüüjaga, et teha kindlaks kas kehtib mõni teine garantii.

### VOLITATUD HOOLDUSKESKUS

Oma volitatud hoolduskeskuse leiate veebisaidilt <http://uk.ryobitools.eu/header/service-and-support/service-agents>.

## HR UVJETI PRIMJENE JAMSTVA TVRTKE RYOBI®

Osim svim zakonskim pravima koja proizlaze iz kupnje, ovaj je proizvod pokriven jamstvom kako je navedeno u nastavku.

- Jamstveno razdoblje za potrošače traje 24 mjeseca i počinje s datumom na koji je proizvod kupljen. Taj datum mora se dokumentirati računom ili drugim dokazom o kupnji. Proizvod je konstruiran i namijenjen samo za privatnu upotrebu korisnika. Stoga se jamstvo ne daje u slučaju profesionalne ili komercijalne uporabe.
- Postoji mogućnost da se za dio asortimana vrtnih alata pokretanih izmjeničnom strujom (AC/DC) proizvodi gore navedeno jamstveno razdoblje putem registriranja na mrežnom mjestu [www.ryobitools.eu](http://www.ryobitools.eu). Uvjeti koje je potrebno zadovoljiti kako bi se proizvelo jamstveno razdoblje jasno su istaknuti u prodaivaonicama i / ili na pakiranju / i nalaze se unutar dokumentacije proizvoda. Krajnji korisnik mora registrirati svoje novo kupljene alate na mreži u roku od 30 dana od datuma kupnje. Krajnji korisnik može se registrirati za proizvedeno jamstvo u svojoj zemlji boravišta ako se nalazi na popisu u mrežnom obrascu za registraciju gdje je ta opcija važeća. Nadalje, krajnji korisnik mora dati svoj pristanak na pohranu podataka koji su potrebni za mrežni ulazak i moraju prihvatiti odredbe i uvjete. Potvrda o prijemu registracije, koja se šalje putem e-pošte, kao i originalni račun s vidljivim datumom kupnje poslužiti će kao dokaz proizvedenog jamstva.
- Jamstvo pokriva sve nedostatke proizvoda tijekom jamstvenog razdoblja koji su nastali zbog neispravnosti prilikom izrade ili materijala s datumom kupnje. Jamstvo je ograničeno na popravak i/ili zamjenu i ne obuhvaća nikakve druge obveze, uključujući, ali ne ograničavajući se na slučajne ili posljedične štete. Jamstvo ne vrijedi ako je proizvod bio zlorabljivan, korišten u suprotnosti s priručnikom s uputama ili ako je pogrešno spojeno. Ovo jamstvo ne primjenjuje se na:
  - svako oštećenje proizvoda koje je rezultat nepravilnog održavanja
  - svaki proizvod koji je izmijenjen ili modificiran
  - svaki proizvod gdje su originalne identifikacijske oznake (zaštitni znak, serijski broj) izbrisane, zamijenjene ili uklonjene
  - svako oštećenje uzrokovano neprirodno korištenjem priručnika
  - svaki proizvod koji nije CE
  - svaki proizvod koji je pokušao popraviti nekvalificirani profesionalac ili bez prethodnog odobrenja od strane Techtronic Industries
  - svaki proizvod priključen na nepravilno napajanje energijom (amperi, napon, frekvencija)
  - svaki proizvod korišten s neodgovarajućom mješavinom (gorivo, ulje, postotak ulja)
  - svako oštećenje uzrokovano vanjskim utjecajima (kemijsko, fiziko, udar) ili stranim stvarima
  - normalno trošenje i habanje rezervnih dijelova
  - nepravilno korištenje, preopterećenje alata
  - korištenje neodobrenog dodatnog pribora ili dijelova
  - raspljnjaka nakon 6 mjeseci, podešavanje raspljnjaka nakon 6 mjeseci
  - komponente (dijelovi i dodatni pribor) koji su predmet prirodnog trošenja i habanja, uključujući no ne ograničavajući se na gumbce za otpuštanje, pogonske remene, spojku, oštrice trimera za grmlje ili kosilicu, kope, sajle gasa, ugljene četke, kabele za napajanje, noževe, podloške, ztike za zglobnu vezu, ventilatore puhalica, cijevi za ispuhavanje i usisavanje, vakuumske vrećice i trake, vodilice, lance pile, crijeva, priključne elemente, mlaznice za raspršivanje, kotače, koplja za raspršivanje, unutarnje kolote, vanjske kaleme, flaksove, svjeće, filtre za zrak, filtre za plin, oštrice za ustinjavanje itd.
- Za potrebe servisiranja, proizvod se mora poslati ili odnijeti u ovlaštenu servisnu postaju tvrtke RYOBI navedenu na sljedećem popisu s adresama servisnih postaja u svakoj zemlji. U nekim zemljama, vaš lokalni RYOBI zastupnik obvezuje se da će poslati proizvod u servisnu organizaciju tvrtke RYOBI. Kada se proizvod šalje u neku servisnu postaju tvrtke RYOBI, proizvod se mora sigurno pakirati bez jednog od opasnih sadržaja kao što je benzin, na njemu mora pisati adresa pošiljatelja i mora biti popraćen kratkim opisom kvara.
- Popravak / zamjena pod ovim jamstvom su besplatni. Oni ne predstavljaju produženje ili novi početak jamstvenog razdoblja. Zamijenjeni dijelovi ili alati postaju naše vlasništvo. U nekim državama troškove isporuke ili poštarinu mora platiti pošiljatelj. Vaša zakonska prava koja proizlaze iz kupnje alata ostaju nepromijenjena
- Ovo jamstvo vrijedi u Europskoj uniji, Švicarskoj, Islandu, Norveškoj, Lihtenštajnu, Turskoj i Rusiji. Izvan tih područja vas molimo da se obratite svojem ovlaštenom zastupniku tvrtke RYOBI kako biste utvrdili primjenjive li se drugo jamstvo.

### OVLAŠTENI SERVISNI CENTAR

Za pronalaženje ovlaštenog servisnog centra pored vas posjetite <http://uk.ryobitools.eu/header/service-and-support/service-agents>.

## SL POGOJI ZA VELJAVNOST GARANCIJE RYOBI®

Poleg morebitnih zakonsko določenih pravic, ki izvirajo iz nakupa, za ta izdelek velja spodaj navedena garancija.

- Garancijsko obdobje je za potrošnike 24 mesecev in začne teči z dnem nakupa izdelka. Ta datum mora biti dokumentiran z računom ali drugim dokazilom o nakupu. Izdelek je zasnovan in namenjen izključno za potrošniško zasebno uporabo. V primeru strokovne oziroma komercialne uporabe izdelka garancija ne velja.
- Obstaja možnost podaljšanja garancije na del naše ponudbe vrtnih orodij (AC/DC) prek obdobja garancije, opisanega zgoraj, s pomočjo registracije na spletnem mestu [www.ryobitools.eu](http://www.ryobitools.eu). Ustreznost orodij za podaljšanje garancijskega obdobja je jasno prikazana v trgovinah in/ali na embalaži oziroma je navedena v dokumentaciji izdelka. Končni uporabnik mora registrirati svoje novo orodje na spletu v 30 dneh po datumu nakupa. Končni uporabnik lahko registrira podaljšano garancijo v svoji državi bivanja, če je na obrazcu spletne registracije navedeno, da ta možnost velja za njegovo državo. Poleg tega morajo končni uporabniki podati svoje soglasje za shranjevanje podatkov, ki so potrebni za spletni dostop in morajo sprejeti pogoje in določila uporabe spletnega mesta. Potrdilo o registraciji, ki ga pošljemo prek e-pošte, in originalni račun, ki prikazuje datum nakupa, služita kot dokazilo o podaljšani garanciji.
- Garancija krije vse okvare izdelka, do katerih pride v garancijskem obdobju zaradi napak v izdelavi ali materialu, ki so bile prisotne ob datumu nakupa. Garancija je omejena na popravilo in/ali zamenjavo in ne vključuje nobenih drugih obveznosti, med drugim vključno z naključno ali posledično škodo. Garancija ne velja, če je bil izdelek napako uporabljen, uporabljen v nasprotju z navodili iz priročnika za uporabo ali če ni bil pravilno povezan. Ta garancija ne velja za:
  - škodo na izdelku, ki je posledica neustreznega vzdrževanja
  - spremenjen ali prilagojen izdelek
  - izdelek, katerega originalna identifikacijska oznaka (blagovna znamka, serijska številka) je bil poškodovan, spremenjena ali odstranjena
  - škodo, ki je posledica neupoštevanja navodil iz priročnika za uporabo
  - izdelek, ki nima oznake CE
  - izdelek, ki ga je poskušal popraviti nekvalificiran strokovnjak ali ki je bil popravljen brez predhodne odobritve s strani družbe Techtronic Industries.
  - izdelek, ki je bil povezan na neustrezno napajanje (amperska moč, napetost, frekvenca)
  - izdelek, ki je bil uporabljen z neustrezno mešanico goriva (gorivo, olje, odstotek olja)
  - škodo, ki jo povzročijo zunanji vplivi (kemični, fizični, mehanski) ali tuje snovi
  - rezervne dele, ki so podvrženi običajni uporabi
  - neprimerno uporabo, preobremenitev orodja
  - uporabo neodobrenih dodatkov ali delov
  - Vsako redno prilagajanje ali vzdrževalno čiščenje uplinjačev
  - Komponente (sestavni in rezervni deli), ki so podvrženi običajni obrabi, med drugim vključno z gumbi odbijača, pogonskimi jermeni, sklopko, rezili obrezovalnikov za žive meje ali kosilnic za trato, nosilnimi pasovi, kablji, dušilnimi ventili, oglikovimi krtačami, napajalnimi kablji, zobci, tesnilni iz filca, veznimi zatiči, ventilatorji pihalnika, cevmi pihalnika in sesalnika, vrečko in pasovi sesalnika, vodilnimi palicami, verigami motorne žage, cevmi, priključki, razpršilnimi šobami, kolesi, razpršilnimi palicami, notranjimi kolesci, zunanji motki, rezalnimi vrvicami, vžigalnimi svečkami, zračnimi filtri, plinskimi filtri, rezili za mulčenje itd.
- Za servisiranje morate izdelek poslati ali prinesiti v pooblaščen servisni center družbe RYOBI, ki je naveden za vsako državo na naslednjem seznamu naslovov servisnih centrov. V nekaterih državah se vaš lokalni posrednik družbe RYOBI obveže, da bo poslal izdelek na servis družbe RYOBI. Ko pošiljate izdelek v servisni center družbe RYOBI, mora biti izdelek varno zapakiran in ne sme vsebovati nobenih nevarnih snovi, kot je npr. bencin, opravljen pa mora biti z naslovom pošiljatelja in vsebovati kratek opis napake.
- Popravilo/zamenjava v skladu s to garancijo sta brezplačni storitvi. To pa ne predstavlja podaljšanja ali ponovnega začetka garancijskega obdobja. Zamenjani deli ali orodja postanejo naša last. V nekaterih državah stroške dostave ali poštno plačilo pošiljatelja. Naše zakonsko določene pravice, ki izvirajo iz nakupa orodja, ostajajo nespremenjene.
- Ta garancija velja v Evropski skupnosti, Švici, Islandiji, na Norveškem, v Lichtenštajnu, v Turčiji in Rusiji. Izven teh območij se obrnite na svojega pooblaščenega posrednika izdelkov RYOBI, dealer ki vam bo povedal, ali velja kakšna druga garancija.

### POOBLAŠČEN SERVISNI CENTER

Pooblaščen servisni center blizu vas poiščite na <http://uk.ryobitools.eu/header/service-and-support/service-agents>.

## SK ZÁRUČNÉ PODMIENKY RYOBI®

Na tento výrobok sa okrem všetkých zákonných práv, vyplývajúcich z nákupu, vzťahuje záruka v nasledovnom znení.

- Záručná doba pre spotrebiteľa je 24 mesiacov a začína plynúť odo dňa, kedy bol výrobok zakúpený. Tento dátum musí byť doložený faktúrou alebo iným dokladom o zakúpení. Výrobok je navrhnutý a určený pre spotrebiteľa a len na súkromné používanie. Preto sa záruka sa neposkytuje v prípade použitia na profesionálne a komerčné účely.
- V prípade záhradného náradia (na striedavý/jednosmerný prúd AC/DC), existuje možnosť predĺženia záručnej doby oproti záručnej dobe, uvedenej vyššie, s využitím on-line registrácie na webovej stránke [www.ryobitools.eu](http://www.ryobitools.eu). Označenie na náradí o nároku na predĺženie záručnej doby je zreteľne uvedené v obchodoch a/alebo na obale a je uvedené v dokumentácii k výrobku. Koncový používateľ musí zaregistrovať svoje novozískané náradie on-line do 30 dní odo dňa nákupu. Koncový používateľ sa môže zaregistrovať na predĺženie záruky v krajine svojho bydliska, ak je v on-line registračnom formulári uvedená táto možnosť. Ďalej musia koncoví používatelia ešte dať svoj súhlas k uchovávaniu údajov, ktoré je potrebné zadať on-line a musia súhlasiť s podmienkami. Potvrdenie o prijatí registrácie, ktorý je zaslané e-mailom a originál faktúry, v ktorej je uvedený dátum nákupu, slúžia ako dôkaz o predĺžení záruke.
- Záruka sa vzťahuje na všetky poruchy výrobku v záručnej dobe, spôsobené chybami materiálů alebo spracovania k dátumu nákupu. Táto záruka je obmedzená na opravu a/alebo výmenu a nezahŕňa ďalšie povinnosti, vrátane, okrem iných, náhodné alebo následné škody. Táto záruka je neplatná, ak bol výrobok nesprávne používaný, bol používaný v rozpore s návodom na použitie alebo bol nesprávne zapojený. Táto záruka sa nevzťahuje na:
  - akékoľvek poškodenie výrobku, ktoré bolo spôsobené nesprávnou obsluhou
  - akýkoľvek výrobok, ktorý bol zmenený alebo upravený
  - akýkoľvek výrobok, na ktorom bolo poškodené, upravené alebo odstránené identifikačné označenie (ochranná známka, výrobné číslo)
  - akékoľvek škody, spôsobené nedodržaním návodu na obsluhu
  - akýkoľvek výrobok, ktorý neobsahuje označenie CE
  - akýkoľvek výrobok, ktorý sa pokúšajú opraviť nekvalifikovaný odborník alebo bol opravovaný bez predchádzajúceho súhlasu so strany spoločnosti Techtronic Industries.
  - akýkoľvek výrobok, pripojený k nesprávnemu napájaciemu zdroju (ampéry, napätie, frekvencia)
  - akýkoľvek výrobok, používaný s nesprávnou palivovou zmesou (palivo, olej, percento oleja)
  - akékoľvek poškodenia, spôsobené vonkajšími vplyvmi (chemickými, fyzikálnymi, nárazmi) alebo cudzordovými látkami
  - bežné opotrebovanie náhradných dielov
  - nevhodné použitie, preťažovanie nástroja
  - použitie neschváleného príslušenstva a dielov
  - Akékoľvek pravidelné úpravy alebo čistenie karburátorov, vykonávaných vrámi údržby
  - Súčiastky (diely a príslušenstvo), ktoré podliehajú prirodzenému opotrebeniu, okrem iných, otočné gombíky, hnače remene, spojka, nože na nožnice na živý plot alebo kosačky na trávu, popruhy, lanko škrtačnej klapky, uhľiky, napájací kábel, radličky, pistené podložky, závesné klice, lopatky fúkačov, trubice vysávača a fúkača, vak do vysávača a popruhy, vodiace lišty, reťazové pily, hadice, spojovacie armatúry, trysky, kolesá, striekacie rúrky, mútorné cievy, vonkajšie cievy, žacie lanká, zapalovacie sviečky, zduchové filtre, benzínové filtre, mulčovacie nože atď.
- Na opravu musí byť výrobok odoslaný alebo doručený do autorizovaného servisného strediska RYOBI, uvedeného pre každú krajinu v nasledovnom zozname adries servisných stredísk. V niektorých krajinách miestny zástupca RYOBI preberá na seba záväzok zaslať tovar do servisnej organizácie RYOBI. Pri odoslaní výrobku do servisného strediska RYOBI je potrebné výrobok bezpečne zabaliť bez akéhokoľvek nebezpečného obsahu, ako je benzín, s vyznačením adresy odosielateľa, s krátkym popisom poruchy.
- Oprava/výmena je vrámcí tejto záruky bezplatná. Neznamená to predĺženie záruky alebo spôsobenie novej záručnej doby. Vymenené diely alebo nástroje sa stávajú našim vlastníctvom. V niektorých krajinách náklady na odoslanie alebo poštné musí zaplatiť odosielateľ. Všetchné zákonné práva, vyplývajúce z nákupu náradia, zostávajú nedotknuté.
- Táto záruka platí v Európskej únii, Švajčiarsku, Islande, Nórsku, Lichtenštajnsku, Turesku a Rusku. Ak sa nachádzate mimo týchto oblastí, obráťte sa na autorizovaného predajcu RYOBI na určenie, či sa dá uplatniť iná záruka.

### AUTORIZOVANÉ SERVISNÉ CENTRUM

Ak chcete nájsť najbližšie autorizované servisné centrum, navštívte stránku <http://uk.ryobitools.eu/header/service-and-support/service-agents>.

## **BG** УСЛОВИЯ ЗА ВАЛИДНОСТ НА ГАРАНЦИЯТА НА RYOBI®

В допълнение към законоустановените права, произтичащи от покупката, този продукт е обхванат от гаранция, както е изложено по-долу.

- Гаранционният срок е 24 месеца за клиенти и започва да тече от деня на закупуване на продукта. Тази дата трябва да се докаже с фактура или друго доказателство за покупка. Продуктът е изработен и предназначен само за потребителска и лична употреба. Следователно не се дава гаранция в случай на използване от професионалисти или с търговска цел.
- Съществува възможност за удължаване на гаранционния срок за част от диапозона на гаранцията на градински инструменти (AC/DC) след изтичането на описания тук чрез регистрация на уеб сайта [www.ryobitools.eu](http://www.ryobitools.eu). В магазините и/или на опаковката или вътре в документацията на продукта е показано ясно дали инструментът отговаря на условията за такова удължаване на гаранционния срок. Крайният потребител трябва да регистрира своите новопридобити инструменти онлайн в рамките на 30 дни от датата на покупка. Крайният потребител може да се регистрира за удължена гаранция в държавата си на пребиваване, ако е посочена във формуляра за онлайн регистрация като място, където тази опция е валидна. Освен това крайните потребители трябва да дават съгласието си за съхранение на данните, които са задължителни за попълване онлайн, и трябва да приемат общите условия. Полученото потвърждение за регистрация, изработено по електронна поща, и оригиналната фактура, показваща датата на покупка, ще служат като доказателство за удължената гаранция.
- Гаранцията покрива всички дефекти на продукта по време на гаранционния срок, които се дължат на проблеми в изработката или материалите към момента на покупката. Гаранцията е ограничена до ремонт и/или замяна и не включва други задължения, включително, но не само, случайни или косвени щети. Гаранцията е невалидна, ако продуктът е използван неправилно или в противоречие с ръководството с инструкции, както и ако е свързан неправилно. Тази гаранция не важи за:
  - щети по продукта в резултат на неправилна профилактика
  - продукти, които са били изменени или модифицирани
  - продукт, при който оригиналните маркировки за идентификация (търговска марка, серийн номер) са изтрити, променени или премахнати
  - повреда, причинена от неспазване на ръководството с инструкции
  - продукт без CE маркировка
  - продукт, за който е направен опит за ремонт от невалифициран специалист или без предварително разрешение от Techtronic Industries.
  - продукт, свързан към неподходящо електрохранване (ампераж, волтаж, честота)
  - продукт, използван с неподходяща горивна смес (гориво, масло, процент масло)
  - щети, причинени от външни влияния (химични, физични, удари) или чужди вещества
  - нормално износване на резервни част
  - неподходяща употреба, претоварване на инструмента
  - използване на неподходящи аксесоари или части
  - Всякакви периодични настройки или почистване с цел извършване на поддръжка на карбуратори
  - Компоненти (част и аксесоари), подложени на естествено износване, включително, но не само, копчета за тласкане, задвижващи ремъци, съединител, остриета на ножици за жив плет или косачки за трева, презарамки, кабелен дросел, карбонови четки, захранващ кабел, остриета, филцови шайби, осигурителни щифтове, вентилатори на уреди за обдухване, тръби за обдухване и всмукване, торба за отпадъци и ремъци, водещи шини, вериги за триони, маркучи, филтинги на конектори, дюзи, копела, пръскалки, вътрешни и външни макари, рещоце влакно, запалителни свещи, въздушни филтри, горивни филтри, остриета за мулчиране и др.
- За обслужване продуктът трябва да се изпрати или занесе на авторизиран сервиз на RYOBI, посочен за всяка държава в следния списък с адреси на сервизи. В някои държави местният търговец на RYOBI поема отговорността да изпрати продукта до сервизен център на RYOBI. При изпращане на продукт до сервиз на RYOBI той трябва да е опакован безопасно без опасно съдържание, напр. бензин, да е маркиран с адреса на подателя и придружен от кратко описание на повредата.
- Ремонтът/замяната по силата на тази гаранция са безплатни. Те не водят до удължаване или подновяване на гаранционния срок. Сменените части или инструменти стават наша собственост. В някои държави таксите за доставка или изпращане трябва да се платят от подателя. Законоустановените ви права, произтичащи от закупуването на инструмента, остават незаосенгнати
- Тази гаранция е валидна в Европейската общност, Швейцария, Исландия, Норвегия, Лихтенщайн, Турция и Русия. Извън тези области се свържете с упълномощения търговец на RYOBI, за да се установи дали е приложима друга гаранция.

### УПЪЛНОМОЩЕН СЕРВИЗЕН ЦЕНТЪР

За да намерите упълномощен сервизен център близо до вас, посетете <http://uk.ryobitools.eu/header/service-and-support/service-agents>.

## **UK** ГАРАНТИЙНИ УМОВИ ДЛЯ RYOBI®

Окрім загалом установлених законом прав, що стосуються покупки, цей пристрій покривається гарантією, що зазначено нижче.

- Гарантійний період для споживачів складає 24 місяці і починається з моменту придбання цього пристрою. Ця дата повинна бути задокументована у накладній або іншому документі, що підтверджує покупку. Цей пристрій був розроблений і призначений тільки для споживчого та приватного використання. У разі професійного або комерційного використання цього пристрою, він втрачає гарантію.
- Існує можливість продовжити гарантійний період, понад період описаний вище, для частини лінійки садових інструментів (перемінного/постійного струму) за допомогою реєстрації на сайті [www.ryobitools.eu](http://www.ryobitools.eu). Пристрої, які мають право на подовження гарантійного періоду, мають чіткі позначки щодо цього в магазинах і / або на опаковці / та документації до пристрою. Кінцевий користувач повинен зареєструвати його/її новопридбаний пристрій онлайн протягом 30 днів з дати покупки. Кінцевий користувач може зареєструватися для подовження гарантійного періоду в своїй країні постійного перебування, якщо вона є доступною у відповідній опції онлайн форми реєстрації. Крім того, кінцеві користувачі повинні дати свою згоду на зберігання даних, які необхідні для введення онлайн, а також вони повинні прийняти правила та умови. Отримання підтвердження реєстрації, яке відправляється на адресу електронної пошти, та оригінал накладної із зазначеною датою покупки буде слугувати доказом подовженої гарантії.
- Гарантія поширюється на всі дефекти пристрою протягом гарантійного терміну щодо недотримання стандартів виробництва або матеріалів на дату придбання. Гарантія обмежується ремонтом та/або заміною, та не включає в себе будь-яких інших зобов'язань, в тому числі, але не обмежена у разі випадкових та подальших пошкоджень. Гарантія не діє, якщо пристрій використовувався неналежним чином, всупереч інструкції з експлуатації або був неправильно підключений до мережі. Дана гарантія не поширюється на:
  - пристрій, що були пошкоджені у результаті неправильного технічного обслуговування;
  - пристрій, що були відозомінені або модифіковані;
  - пристрій, оригінальне ідентифікаційне (товарний знак, серійний номер) маркування яких було пошкоджене, змінене або видалено;
  - будь-які пошкодження, заподіяні недотриманням інструкції з експлуатації;
  - пристрої, що не мають маркування CE;
  - пристрої, що були відремонтовані неваліфікованим фахівцем або за відсутності попереднього дозволу від Techtronic Industries;
  - пристрої, підключені до невідповідного джерела живлення (сила току, напруження, частота);
  - пристрої, що використовувались із невідповідною паливною сумішшю (паливом, оливою, відсотковою часткою оливи);
  - будь-які пошкодження спричинені зовнішнім впливом (хімічними, фізичними, стрибком напруги) або сторонніми речовинами;
  - нормальну амортизацію запасних частин;
  - невідповідне використання, перевантаження пристрою;
  - використання невідтверджених запасних частин або аксесуарів;
  - Будь-які періодичні коригування або технічне очищення карбураторів
  - Компоненти (частини та аксесоари) з урахуванням нормального зношування, враховуючи але без обмеження на імпульсні кнопки, ремені приводу, зчеплення, леза куцюрза або газнокосарки, ремені, триси дросельного клапану, вугільні щітки, шпунти живлення, зубці, фетрові підкладки, зчепні штирі, вентилятори повітродувки, трубки пілососа та повітродувки, вакуумні мішки та накладки, напрямні, ланцюги, гнучкі шланги, з'єднувальні фітинги, розпилювальні насадки, колеса, жорсткі сопла, внутрішні котушки, зовнішні золотники, річкові волосінні, свчки запалення, повітряні фільтри, протигазові фільтри, мульчувальні леза, т.д.
- Для обслуговування, пристрій має бути відправлений або поданий до одного з авторизованих сервісних центрів RYOBI, які перелічені для кожної країни у наступному переліку адрес сервісних центрів. У деяких країнах місцевий дилер RYOBI зобов'язується відправити пристрій до сервісного центру RYOBI. При відправленні пристрою до сервісного центру RYOBI, пристрій має бути надійно упакований без будь-якого небезпечного вмісту, наприклад бензину, з позначеною адресою відправника та супроводжуватися коротким описом несправності.
- Ремонт / заміна відповідно до цієї гарантії здійснюється безкоштовно. Це не є основою для подовження або початку нового гарантійного періоду. Замінені частини або прилади переходять до власності компанії. У деяких країнах вартість доставки або поштові витрати повинні бути сплачені відправником. Загально встановлені права покупця на пристрій залишаються незмінними
- Ця гарантія діє в Європейському Союзі, Швейцарії, Ісландії, Норвегії, Лихтенштейні, Туреччині та Росії. За межами цих зон, будь ласка, зверніться до офіційного дилера RYOBI, щоб визначити, чи застосовується інша гарантія.

### АВТОРИЗОВАНІ СЕРВІСНІ ЦЕНТРИ

Для отримання оновленого переліка авторизованих сервісних центрів, відвідайте <http://uk.ryobitools.eu/header/service-and-support/service-agents>

## TR RYOBI® GARANTİ UYGULAMA KOŞULLARI

Alımdan kaynaklanan yasal haklara ek olarak, ürün aşağıda belirtilen garanti kapsamındadır.

1. Tüketiciler için 24 ay olan garanti süresi, ürünün satın alındığı tarihte başlar. Bu tarihin bir fatura ya da alım kanıtıyla belgelenmesi gerekir. Ürün sadece tüketim ve özel kullanım için geliştirilmiş ve adanmıştır. Bu nedenle, profesyonel ya da ticari kullanım halinde garanti kapsamı sağlanmaz.
2. Bahçe aletlerinin bir bölümü (AC/DC) için [www.ryobitools.eu](http://www.ryobitools.eu) sayfasındaki kayıt işlemini kullanarak garantinin belirtilen sürenin ötesine uzatma imkanı mevcuttur. Aletlerin garanti süresinin uzatılmasına uygun olup olmadığı mağazalarda ve / veya ambalajda açıkça belirtilmiş olup, ürün dokümantasyonunda gösterilir. Son kullanıcının yeni aldığı aletleri satın alma tarihini izleyen 30 gün içinde kaydettirmesi gerekir. Son kullanıcı ikamet ettiği ülkede, bu seçeneğin geçerli olduğu çevrimiçi kayıt formunda belirtilmişse, uzatılmış garanti süresi için kayıt yaptırabilir. Dahası, son kullanıcıların çevrimiçi giriş için gerekli verilerin kaydedilmesine izin vermeli ve hüküm ve koşulları kabul etmelidir. E-posta ile gönderilen kayıt teyit makbuzu ve alım tarihini gösteren orijinal fatura uzatılmış garantinin kanıtı olarak değerlendirilir.
3. Garanti, ürünün alım tarihindeki işçilik ve malzeme kusurları nedeniyle garanti süresi içinde oluşacak bütün arızalarını kapsar. Bu garanti onarım ve değiştirmeyle sınırlı olup, tesadüfi ya da dolaylı hasarlar da dahil, ancak bunlarla kısıtlı olmayan başka hiçbir taahhüdü kapsamaz. Garanti, ürünün kötü, kullanıcı kılavuzuna aykırı kullanılmış ya da yanlış bağlanmış olması halinde geçerli değildir. Bu garanti aşağıdakileri kapsamaz:
  - üründe, yanlış bakımdan kaynaklanan herhangi bir hasar
  - değiştirilmiş ya da modifiye edilmiş herhangi bir ürün
  - orijinal tanıtm işaretleri (ticari marka, seri numarası) silinmiş, değiştirilmiş ya da kaldırılmış herhangi bir ürün
  - kullanma kılavuzuna uymamaktan kaynaklanmış herhangi bir hasar
  - herhangi bir AT dışı ürün
  - kalifiye olmamış personel tarafından ya da önceden Techtronic Industries onayı alınmadan onarılmış herhangi bir ürün.
  - uygunsuz güç kaynağına (amper, voltaj, frekans) bağlanmış herhangi bir ürün
  - uygunsuz bir yakıt karışımıyla (yakıt, yağ, yap yüzdesi) kullanılmış herhangi bir ürün
  - harici etkenlerden (kimyasal, fiziksel, darbe) veya yabancı cisimlerden kaynaklanan her türlü hasar
  - normal aşınır ve yıpranır aksam
  - uygunsuz kullanım, aletin aşırı yüklenmesi
  - onaysız aksesuar veya parça kullanımı
  - Karbüratörlere uygulanacak her türlü periyodik ayar, bakım veya temizlik
  - Darbe Düğmeleri, Tahrir Kayışları, Kavrama, Çit Budama ya da Çim Bıçma Makinelerinin Bıçakları, Kayış Koşumlar, Kablo Gaz, Kömür Fırçalar, Güç Kablosu, Dişler, Keçe Rondelalar, Bağlantı Pimleri, Üfleyci Pervaneleri, Üfleyci ve Vakum Boruları, Vakum Torbası ve Kayışları, Kılavuz Çubuklar, Zincir Testere, Hortumlar, Konektör bağlantıları, Püskürtme Memeleri, Çarklar, Püskürtme Çubukları, Dahili Makaralar, Harici Makaralar, Kesme Telleri, Bujiler, Hava Filtreleri, Gaz Filtreleri, Malçlama Bıçakları vb. gibi parçaları kapsayan, ancak bunlarla sınırlı olmayan, aşınma ve yıpranmaya tabi bileşenler (aksam ve aksesuarlar).
4. Ürünün servis için her ülkede aşağıdaki servis istasyonları adres listesinde yer alan yetkili bir RYOBI servis istasyonuna gönderilmesi ya götürülmesi gereklidir. Bazı ülkelerde, yerel RYOBI distribütörünüz ürünü RYOBI servis teşkilatına göndermeyi üstlenir. Bir ürün bir RYOBI servis istasyonuna gönderilirken, ürünün güvenli bir biçimde ambalajlanması, benzin gibi tehlikeli maddeler içermemesi, gönderenin adresini taşıması ve arızanın kısa bir açıklamasını içermesi gerekir.
5. Bu garanti kapsamında yapılacak onarım / değişiklik ücretsizdir. Garanti süresinin uzatılması ya da yeniden başlatılması anlamına gelmez. Değiştirilmiş parçalar veya aletler bize ait olur. Bazı ülkelerde teslim ücretleri veya posta giderlerinin gönderici tarafından ödenmesi gerekir. Alımdan kaynaklanan yasal haklarınız etkilenmez.
6. Bu Garanti Avrupa Topluluğu, İsviçre, İzlanda, Norveç, Liechtenstein, Türkiye ve Rusya'da geçerlidir. Bu alanların dışında, başka bir garantinin geçerli olup olmadığını belirlemek için lütfen yetkili RYOBI distribütörünüzle iletişime geçin.

### YETKİLİ SERVİS MERKEZİ

En yakın yetkili servis merkezini öğrenmek için <http://uk.ryobitools.eu/header/service-and-support/service-agents> sitesine girin.



## EN EC DECLARATION OF CONFORMITY

Techtronic Industries GmbH  
Max-Eyth-Straße 10, 71364 Winnenden, Germany

### Herewith we declare that the product

Cordless grass shear/shrubber  
Brand: Ryobi  
Model number: OGS1822  
Serial number range: 46204401000001- 46204401999999

### is in conformity with the following European Directives and harmonised standards

2006/42/EC, 2014/30/EU, 2000/14/EC, 2005/88/EC, 2011/65/EU, EN55014-1:2006+A1:2009+A2:2011; EN55014-2:2015; EN60745-1:2009+A11:2010, EN60745-2-15:2009+A1:2010; EN60335-1:2012+A11:2014; EN50636-2-94:2014; EN50581:2012; EN ISO 3744:2010

Measured sound power level: 83.0 dB(A)

Guaranteed sound power level: 86 dB(A)

Conformity assessment method to Annex VI Directive 2000/14/EC amended by 2005/88/EC.

Andrew John Eyre (BEng, CEng, MIET)  
Vice President, Regulatory & Safety  
Winnenden, Nov. 25, 2016

### Authorised to compile the technical file:

Alexander Krug, Managing Director  
Techtronic Industries GmbH  
Max-Eyth-Straße 10, 71364 Winnenden, Germany

## DE EC KONFORMITÄTSERKLÄRUNG

Techtronic Industries GmbH  
Max-Eyth-Straße 10, 71364 Winnenden, Germany

### Hiermit erklären wir, dass die Produkte

Akku-Rasenschere/Strauchschere  
Marke: Ryobi  
Modellnummer: OGS1822  
Seriennummernbereich: 46204401000001- 46204401999999

### mit den folgenden europäischen Richtlinien und harmonisierten Normen entspricht

2006/42/EC, 2014/30/EU, 2000/14/EC, 2005/88/EC, 2011/65/EU, EN55014-1:2006+A1:2009+A2:2011; EN55014-2:2015; EN60745-1:2009+A11:2010, EN60745-2-15:2009+A1:2010; EN60335-1:2012+A11:2014; EN50636-2-94:2014; EN50581:2012; EN ISO 3744:2010

Gemessener Schalleistungspegel: 83.0 dB(A)

Garantierter Schalleistungspegel: 86 dB(A)

Konformitätsbeurteilungsmethode zu Anhang VI Richtlinie 2000/14/EC wie durch 2005/88/EC.

Andrew John Eyre (BEng, CEng, MIET)  
Vizepräsident, Vorschriften und Sicherheit  
Winnenden, Nov. 25, 2016

### Autorisiert die technische Datei zu erstellen:

Alexander Krug, Geschäftsführer  
Techtronic Industries GmbH  
Max-Eyth-Straße 10, 71364 Winnenden, Germany

## FR DÉCLARATION DE CONFORMITÉ EC

Techtronic Industries GmbH  
Max-Eyth-Straße 10, 71364 Winnenden, Germany

### Déclarons par la présente que le produit

Cisaille à Gazon/Sculte-haies Sans-fil  
Marque: Ryobi  
Numéro de modèle: OGS1822  
Étendue des numéros de série: 46204401000001- 46204401999999

### est conforme aux Directives Européennes et Normes Harmonisées suivantes

2006/42/EC, 2014/30/EU, 2000/14/EC, 2005/88/EC, 2011/65/EU, EN55014-1:2006+A1:2009+A2:2011; EN55014-2:2015; EN60745-1:2009+A11:2010, EN60745-2-15:2009+A1:2010; EN60335-1:2012+A11:2014; EN50636-2-94:2014; EN50581:2012; EN ISO 3744:2010

Niveau de puissance sonore mesuré: 83.0 dB(A)

Niveau de puissance sonore garanti: 86 dB(A)

Méthode d'évaluation de conformité de l'annexe VI Directive 2000/14/EC modifiée 2005/88/EC.

Andrew John Eyre (BEng, CEng, MIET)  
Vice-Président, Réglementation & Sécurité  
Winnenden, Nov. 25, 2016

### Autorisé à rédiger le dossier technique:

Alexander Krug, Directeur Général  
Techtronic Industries GmbH  
Max-Eyth-Straße 10, 71364 Winnenden, Germany

## ES DECLARACIÓN EC DE CONFORMIDAD

Techtronic Industries GmbH  
Max-Eyth-Straße 10, 71364 Winnenden, Germany

### Por la presente declaramos que los productos

Tijeras cortacésped/arreglasetos inalámbrico  
Marca: Ryobi  
Número de modelo: OGS1822  
Intervalo del número de serie: 46204401000001- 46204401999999

### se encuentra en conformidad con las siguientes Directivas Europeas y normas armonizadas

2006/42/EC, 2014/30/EU, 2000/14/EC, 2005/88/EC, 2011/65/EU, EN55014-1:2006+A1:2009+A2:2011; EN55014-2:2015; EN60745-1:2009+A11:2010, EN60745-2-15:2009+A1:2010; EN60335-1:2012+A11:2014; EN50636-2-94:2014; EN50581:2012; EN ISO 3744:2010

Nivel de potencia acústica medido: 83.0 dB(A)

Nivel de potencia acústica garantizado: 86 dB(A)

Método de evaluación de conformidad con el anexo VI Directiva 2000/14/EC modificada por la 2005/88/EC.

Andrew John Eyre (BEng, CEng, MIET)  
Vicepresidente, Director General de Normativa y Seguridad  
Winnenden, Nov. 25, 2016

### Autorizado para elaborar la ficha técnica:

Alexander Krug, Administrador Ejecutivo  
Techtronic Industries GmbH  
Max-Eyth-Straße 10, 71364 Winnenden, Germany





## IT DICHIARAZIONE DI CONFORMITÀ EC

Techtronic Industries GmbH  
Max-Eyth-Straße 10, 71364 Winnenden, Germany

### Si dichiara con la presente che il prodotto

Le forbici per erba/sfoltirami a batteria  
Marca: Ryobi  
Numero modello: OGS1822  
Gamma numero seriale: 46204401000001- 4620440199999

è conforme alle seguenti Direttive Europee e ai seguenti standard armonizzati  
2006/42/EC, 2014/30/EU, 2000/14/EC, 2005/88/EC, 2011/65/EU, EN55014-1:2006+A1:2009+A2:2011; EN55014-2:2015; EN60745-1:2009+A11:2010, EN60745-2-15:2009+A1:2010; EN60335-1:2012+A11:2014; EN50636-2-94:2014; EN50581:2012; EN ISO 3744:2010

Livello di potenza acustica misurato: 83.0 dB(A)  
Livello di potenza sonora garantita: 86 dB(A)

Metodo di valutazione sulla conformità all'allegato VI Direttiva 2000/14/EC modificata con la 2005/88/EC.

Andrew John Eyre (BEng, CEng, MIET)  
Vice-Presidente, Dipartimento Regolazioni & Sicurezza  
Winnenden, Nov. 25, 2016

Autorizzato per compilare il file tecnico:  
Alexander Krug, Direttore Amministrativo  
Techtronic Industries GmbH  
Max-Eyth-Straße 10, 71364 Winnenden, Germany

## PT DECLARAÇÃO EC DE CONFORMIDADE

Techtronic Industries GmbH  
Max-Eyth-Straße 10, 71364 Winnenden, Germany

### Pelo presente declaramos que os produtos

Tesoura de relva/podadora de arbustos  
Marca: Ryobi  
Número do modelo: OGS1822  
Intervalo do número de série: 46204401000001- 4620440199999

se encontra em conformidade com as seguintes Directivas Europeias e normas harmozizadas

2006/42/EC, 2014/30/EU, 2000/14/EC, 2005/88/EC, 2011/65/EU, EN55014-1:2006+A1:2009+A2:2011; EN55014-2:2015; EN60745-1:2009+A11:2010, EN60745-2-15:2009+A1:2010; EN60335-1:2012+A11:2014; EN50636-2-94:2014; EN50581:2012; EN ISO 3744:2010

Nível de potência sonora medido: 83.0 dB(A)  
Nível de potência sonora garantido: 86 dB(A)

Método de avaliação de conformidade para o anexo VI Directiva 2000/14/EC alterada por 2005/88/EC.

Andrew John Eyre (BEng, CEng, MIET)  
Vice-Presidente, Regulação & Segurança  
Winnenden, Nov. 25, 2016

Autorizado para compilar o ficheiro técnico:  
Alexander Krug, Administrador Executivo  
Techtronic Industries GmbH  
Max-Eyth-Straße 10, 71364 Winnenden, Germany

## NL EC CONFORMITEITSVERKLARING

Techtronic Industries GmbH  
Max-Eyth-Straße 10, 71364 Winnenden, Germany

### Hierbij verklaren wij dat het product

Snoerloze grasschaar/struikschaar  
Merk: Ryobi  
Modelnummer: OGS1822  
Serienummerbereik: 46204401000001- 4620440199999

is in overeenstemming met de volgende Europese Richtlijnen en geharmoniseerde normen

2006/42/EC, 2014/30/EU, 2000/14/EC, 2005/88/EC, 2011/65/EU, EN55014-1:2006+A1:2009+A2:2011; EN55014-2:2015; EN60745-1:2009+A11:2010, EN60745-2-15:2009+A1:2010; EN60335-1:2012+A11:2014; EN50636-2-94:2014; EN50581:2012; EN ISO 3744:2010

Gemeten geluidsniveau: 83.0 dB(A)  
Gegarandeerd geluidsniveau: 86 dB(A)

Evaluatiemethode conformiteit volgens bijlage VI Richtlijn 2000/14/EC gewijzigd door 2005/88/EC.

Andrew John Eyre (BEng, CEng, MIET)  
Vice-president, Regelgeving en Veiligheid  
Winnenden, Nov. 25, 2016

Afgevaardigde voor het samenstellen van de technische fiche:  
Alexander Krug, Directeur  
Techtronic Industries GmbH  
Max-Eyth-Straße 10, 71364 Winnenden, Germany

## DA EC OVERENSSTEMMELSEERKLÆRING

Techtronic Industries GmbH  
Max-Eyth-Straße 10, 71364 Winnenden, Germany

### Vi erklærer hermed, at produktet

Trådløse græssaks/græsklipper  
Brand: Ryobi  
Modelnummer: OGS1822  
Serienummerområde: 46204401000001- 4620440199999

er i overensstemmelse med følgende EU-direktiver og harmoniserede standarder

2006/42/EC, 2014/30/EU, 2000/14/EC, 2005/88/EC, 2011/65/EU, EN55014-1:2006+A1:2009+A2:2011; EN55014-2:2015; EN60745-1:2009+A11:2010, EN60745-2-15:2009+A1:2010; EN60335-1:2012+A11:2014; EN50636-2-94:2014; EN50581:2012; EN ISO 3744:2010

Målt støjniveau: 83.0 dB(A)  
Garanteret støjniveau: 86 dB(A)

Overensstemmelsesvurderingsmetode til bilag VI Direktiv 2000/14/EC ændret ved 2005/88/EC.

Andrew John Eyre (BEng, CEng, MIET)  
Vicepræsident, Regler og Sikkerhed  
Winnenden, Nov. 25, 2016

Bemyndiget til at udarbejde det tekniske kartotek:  
Alexander Krug, Administrerende Direktør  
Techtronic Industries GmbH  
Max-Eyth-Straße 10, 71364 Winnenden, Germany



**SV EC-KONFORMITETSDEKLARATION**

Techtronic Industries GmbH  
Max-Eyth-Straße 10, 71364 Winnenden, Germany

*Härmed deklarerar vi att produkterna*

Sladdlösa gräxsaxen/buksaxen

Merke: Ryobi

Modellnummer: OGS1822

Serienummerintervall: 46204401000001- 46204401999999

*är i enlighet med följande EU-direktiv och harmoniserade standarder*

2006/42/EC, 2014/30/EU, 2000/14/EC, 2005/88/EC, 2011/65/EU, EN55014-1:2006+A1:2009+A2:2011; EN55014-2:2015; EN60745-1:2009+A11:2010, EN60745-2-15:2009+A1:2010; EN60335-1:2012+A11:2014; EN50636-2-94:2014; EN50581:2012; EN ISO 3744:2010

Uppmätt ljudeffektnivå: 83.0 dB(A)

Garanterad ljudeffektnivå: 86 dB(A)

Konformitetsbedömning gjord enligt metod i VI Direktiv 2000/14/EC samt tilläggen i 2005/88/EC.

Andrew John Eyre (BEng, CEng, MIET)  
Vice President, Regelverk och Säkerhet  
Winnenden, Nov. 25, 2016

Godkänd att sammanställa den tekniska filen:

Alexander Krug, VD

Techtronic Industries GmbH

Max-Eyth-Straße 10, 71364 Winnenden, Germany

CE

**NO EC-SAMSVARERKLÆRING**

Techtronic Industries GmbH  
Max-Eyth-Straße 10, 71364 Winnenden, Germany

*Herved erklærer vi at produktet*

Gressaks/Hekksaks

Merke: Ryobi

Modellnummer: OGS1822

Serienummerserie: 46204401000001- 46204401999999

*er i samsvar med følgende europeiske direktiver og harmoniserte standarder*

2006/42/EC, 2014/30/EU, 2000/14/EC, 2005/88/EC, 2011/65/EU, EN55014-1:2006+A1:2009+A2:2011; EN55014-2:2015; EN60745-1:2009+A11:2010, EN60745-2-15:2009+A1:2010; EN60335-1:2012+A11:2014; EN50636-2-94:2014; EN50581:2012; EN ISO 3744:2010

Målt lydteffektivitet: 83.0 dB(A)

Garantert lydteffektivitet: 86 dB(A)

Metode for vurdering av konformitet til Tillegg VI Direktiv 2000/14/EC endret ved 2005/88/EC.

Andrew John Eyre (BEng, CEng, MIET)  
Visepresident, Forskrifter og Sikkerhet  
Winnenden, Nov. 25, 2016

Autorisert til å sette sammen den tekniske filen:

Alexander Krug, Administrerende Direktør

Techtronic Industries GmbH

Max-Eyth-Straße 10, 71364 Winnenden, Germany

CE

**FI EC-SÄÄNNÖSTEN NOUDATTAMINEN**

Techtronic Industries GmbH  
Max-Eyth-Straße 10, 71364 Winnenden, Germany

*Ilmoitamme täten, että tuotteet*

Akkukäyttöiset nurmikkosakset/pensasleikkuri

Tuotemerkki: Ryobi

Mallinumero: OGS1822

Sarjanumerovalue: 46204401000001- 46204401999999

*noudattaa seuraavia EU-direktiivejä ja harmonoituja standardeja*

2006/42/EC, 2014/30/EU, 2000/14/EC, 2005/88/EC, 2011/65/EU, EN55014-1:2006+A1:2009+A2:2011; EN55014-2:2015; EN60745-1:2009+A11:2010, EN60745-2-15:2009+A1:2010; EN60335-1:2012+A11:2014; EN50636-2-94:2014; EN50581:2012; EN ISO 3744:2010

Mitattu äänenteho: 83.0 dB(A)

Taattu ääniteho: 86 dB(A)

Säännösten noudattaminen tarkastettu direktiivin 2000/14/EC liitteen VI mukaisesti muunnettu direktiivillä 2005/88/EC.

Andrew John Eyre (BEng, CEng, MIET)  
Varatoimitusjohtaja, Säästöstenmukaisuus ja Turvallisuus  
Winnenden, Nov. 25, 2016

Valtuutettu kokoamaan tekninen tiedosto:

Alexander Krug, Toimitusjohtaja

Techtronic Industries GmbH

Max-Eyth-Straße 10, 71364 Winnenden, Germany

CE

**RU ЗАЯВЛЕНИЕ О СООТВЕТСТВИИ ТРЕБОВАНИЯМ ЕС**

Techtronic Industries GmbH  
Max-Eyth-Straße 10, 71364 Winnenden, Germany

*Настоящим мы заявляем, что данный продукт*

Беспроводные газонные ножницы / кусторез

Марка: Ryobi

Номер модели: OGS1822

Диапазон заводских номеров: 46204401000001- 46204401999999

*соответствует требованиям следующих Директив ЕС и согласованных стандартов*

2006/42/EC, 2014/30/EU, 2000/14/EC, 2005/88/EC, 2011/65/EU, EN55014-1:2006+A1:2009+A2:2011; EN55014-2:2015; EN60745-1:2009+A11:2010, EN60745-2-15:2009+A1:2010; EN60335-1:2012+A11:2014; EN50636-2-94:2014; EN50581:2012; EN ISO 3744:2010

Измеренный уровень звуковой мощности: 83.0 dB(A)

Гарантируемый уровень звуковой мощности: 86 dB(A)

Способ оценки соответствия, приложение VI к директиве 2000/14/EC с изменениями 2005/88/EC.

Andrew John Eyre (BEng, CEng, MIET)  
Вице-Президент По Технике Безопасности И Стандартам  
Winnenden, Nov. 25, 2016

Лицо, ответственное за подготовку технической документации:

Alexander Krug, Директор

Techtronic Industries GmbH

Max-Eyth-Straße 10, 71364 Winnenden, Germany

CE

**PL** DEKLARACJA ZGODNOŚCI EC

Techtronic Industries GmbH  
Max-Eyth-Straße 10, 71364 Winnenden, Germany

*Niniejszym deklarujemy, że produkty*

Bezprzewodowe nożyce do trawy/krzewów  
Marka: Ryobi  
Numer modelu: OGS1822  
Zakres numerów seryjnych: 46204401000001- 46204401999999

*jest zgodny z następującymi dyrektywami europejskimi i zharmonizowanymi normami*

2006/42/EC, 2014/30/EU, 2000/14/EC, 2005/88/EC, 2011/65/EU, EN55014-1:2006+A1:2009+A2:2011; EN55014-2:2015; EN60745-1:2009+A11:2010, EN60745-2-15:2009+A1:2010; EN60335-1:2012+A11:2014; EN50636-2-94:2014; EN50581:2012; EN ISO 3744:2010

Zmierzony poziom natężenia hałasu: 83.0 dB(A)  
Maksymalny poziom natężenia hałasu: 86 dB(A)

Metoda ocena zgodności zgodnie z aneksem VI Dyrektywa 2000/14/EC zmieniona przez dyrektywę 2005/88/EC.

Andrew John Eyre (BEng, CEng, MIET)  
Wiceprezes ds. Zgodności Prawnej i Bezpieczeństwa  
Winnenden, Nov. 25, 2016

Osoba upoważniona do sporządzenia dokumentu technicznego:  
Alexander Krug, Dyrektor Zarządzający  
Techtronic Industries GmbH  
Max-Eyth-Straße 10, 71364 Winnenden, Germany

CE

**HU** EC MEGFELELŐSÉGI NYILATKOZAT

Techtronic Industries GmbH  
Max-Eyth-Straße 10, 71364 Winnenden, Germany

*Ezúton kijelentjük, hogy a termék*

A vezeték nélküli fűnyíró/soványvágó  
Márka: Ryobi  
Típusszám: OGS1822  
Sorozatszám tartomány: 46204401000001- 46204401999999

*megfelel az alábbi Európai irányelvek és harmonizált szabványok vonatkozó rendelkezéseinek*

2006/42/EC, 2014/30/EU, 2000/14/EC, 2005/88/EC, 2011/65/EU, EN55014-1:2006+A1:2009+A2:2011; EN55014-2:2015; EN60745-1:2009+A11:2010, EN60745-2-15:2009+A1:2010; EN60335-1:2012+A11:2014; EN50636-2-94:2014; EN50581:2012; EN ISO 3744:2010

Mért hangteljesítményszint: 83.0 dB(A)  
Garantált hangteljesítményszint: 86 dB(A)

A megfeleléségi értékelési eljárás a 2000/14/EC irányelv V. függeléké szerint történt által módosított 2005/88/EC irányelv.

Andrew John Eyre (BEng, CEng, MIET)  
Alelnök, Megfeleléségi és Biztonsági Területek  
Winnenden, Nov. 25, 2016

A műszaki dokumentáció összeállítására felhatalmazott:  
Alexander Krug, Ügyvezető Igazgató  
Techtronic Industries GmbH  
Max-Eyth-Straße 10, 71364 Winnenden, Germany

CE

**CS** PROHLÁŠENÍ O SHODĚ EC

Techtronic Industries GmbH  
Max-Eyth-Straße 10, 71364 Winnenden, Germany

*Tímto prohlašujeme, že výrobky*

Akumulátorové nůžky na trávu / zastřihovač  
Značka: Ryobi  
Číslo modelu: OGS1822  
Rozsah sériových čísel: 46204401000001- 46204401999999

*že tento výrobek je v souladu s evropskými a harmonizovanými standardy*

2006/42/EC, 2014/30/EU, 2000/14/EC, 2005/88/EC, 2011/65/EU, EN55014-1:2006+A1:2009+A2:2011; EN55014-2:2015; EN60745-1:2009+A11:2010, EN60745-2-15:2009+A1:2010; EN60335-1:2012+A11:2014; EN50636-2-94:2014; EN50581:2012; EN ISO 3744:2010

Změřená hladina akustického výkonu: 83.0 dB(A)  
Zaručená hladina akustického výkonu: 86 dB(A)

Soulad s metodou určování pro přílohu VI směrnice 2000/14/EC upravená 2005/88/EC.

Andrew John Eyre (BEng, CEng, MIET)  
Viceprezident, Normy a Bezpečnost  
Winnenden, Nov. 25, 2016

Pověření ke kompilaci technického souboru:  
Alexander Krug, Generální Ředitel  
Techtronic Industries GmbH  
Max-Eyth-Straße 10, 71364 Winnenden, Germany

CE

**RO** DECLARAȚIE DE CONFORMITATE EC

Techtronic Industries GmbH  
Max-Eyth-Straße 10, 71364 Winnenden, Germany

*Prin prezenta, declarăm că produsele*

Foarfecălama de tuns pentru iarbă cu acumulator  
Mărcă: Ryobi  
Număr serie: OGS1822  
Gamă număr serie: 46204401000001- 46204401999999

*este în conformitate cu următoarele Directive Europene și standarde armonizate*

2006/42/EC, 2014/30/EU, 2000/14/EC, 2005/88/EC, 2011/65/EU, EN55014-1:2006+A1:2009+A2:2011; EN55014-2:2015; EN60745-1:2009+A11:2010, EN60745-2-15:2009+A1:2010; EN60335-1:2012+A11:2014; EN50636-2-94:2014; EN50581:2012; EN ISO 3744:2010

Nivelul măsurat al puterii acustice: 83.0 dB(A)  
Nivel garantat al puterii acustice: 86 dB(A)

Metoda de evaluare a conformității cu Anexa VI Directiva 2000/14/EC modificată prin 2005/88/EC.

Andrew John Eyre (BEng, CEng, MIET)  
Vicepreședintele, Reglementare și Siguranță  
Winnenden, Nov. 25, 2016

Autorizat să completeze fișa tehnică:  
Alexander Krug, Director General  
Techtronic Industries GmbH  
Max-Eyth-Straße 10, 71364 Winnenden, Germany

CE



**LV EC ATBILSTĪBAS DEKLARĀCIJA**

Techtronic Industries GmbH  
Max-Eyth-Straße 10, 71364 Winnenden, Germany

*Ar šo paziņojam, ka produkti*

Bezvadu zāles šķēres/krūmu šķēres  
Zīmols: Ryobi  
Modeļa numurs: OGS1822  
Sērijas numura intervāls: 46204401000001- 46204401999999

*atbilst šādām Eiropas direktīvām un saskaņotajiem standartiem*

2006/42/EC, 2014/30/EU, 2000/14/EC, 2005/88/EC, 2011/65/EU, EN55014-1:2006+A1:2009+A2:2011; EN55014-2:2015; EN60745-1:2009+A11:2010, EN60745-2-15:2009+A1:2010; EN60335-1:2012+A11:2014; EN50636-2-94:2014; EN50581:2012; EN ISO 3744:2010

Izmērītās skaņas jaudas līmenis: 83.0 dB(A)  
Garantētais skaņas intensitātes līmenis: 86 dB(A)

Atbilstības novērtēšanas metode pielikumam VI Direktīvai 2000/14/EC labota 2005/88/EC.

Andrew John Eyre (BEng, CEng, MIET)  
Viceprezidents, Darba Drošības Noteikumi  
Winnenden, Nov. 25, 2016

Pilnvarots sastādīt tehnisko failu:  
Alexander Krug, Izpilddirektors  
Techtronic Industries GmbH  
Max-Eyth-Straße 10, 71364 Winnenden, Germany

CE

**ET EC VASTAVUSDEKLARATSIOON**

Techtronic Industries GmbH  
Max-Eyth-Straße 10, 71364 Winnenden, Germany

*Kinnitame, et see toode*

Akutoitega muru- ja pöösakääre  
Mark: Ryobi  
Mudeli number: OGS1822  
Seriaanumbri vahemik: 46204401000001- 46204401999999

*vastab järgmistele Euroopa direktiividele ja harmoniseeritud standarditele*

2006/42/EC, 2014/30/EU, 2000/14/EC, 2005/88/EC, 2011/65/EU, EN55014-1:2006+A1:2009+A2:2011; EN55014-2:2015; EN60745-1:2009+A11:2010, EN60745-2-15:2009+A1:2010; EN60335-1:2012+A11:2014; EN50636-2-94:2014; EN50581:2012; EN ISO 3744:2010

Möödetud helivõimsuse tase: 83.0 dB(A)  
Garanteeritud helivõimsuse tase: 86 dB(A)

Vastavushindamine vastavalt lisale VI direktiivis 2000/14/EC muudetud direktiiviga 2005/88/EC.

Andrew John Eyre (BEng, CEng, MIET)  
Asepresident Standardiseerimise Ja Ohutuse Alal  
Winnenden, Nov. 25, 2016

Tehnilise faili koostamiseks volitatud isik:  
Alexander Krug, Tegevdirektor  
Techtronic Industries GmbH  
Max-Eyth-Straße 10, 71364 Winnenden, Germany

CE

**LT EC ATITIKTIES DEKLARACIJA**

Techtronic Industries GmbH  
Max-Eyth-Straße 10, 71364 Winnenden, Germany

*Mes pareiškiame, kad šie produktai*

Belaidės žolės žirkklės / genėtuvas  
Prekės ženklas: Ryobi  
Modelio numeris: OGS1822  
Serijinio numerio diapazonas: 46204401000001- 46204401999999

*pagamintas laikantis toliau nurodytųjų Europos Direktyvų ir darniųjų standartų*

2006/42/EC, 2014/30/EU, 2000/14/EC, 2005/88/EC, 2011/65/EU, EN55014-1:2006+A1:2009+A2:2011; EN55014-2:2015; EN60745-1:2009+A11:2010, EN60745-2-15:2009+A1:2010; EN60335-1:2012+A11:2014; EN50636-2-94:2014; EN50581:2012; EN ISO 3744:2010

Išmatuotas akustinis lygis: 83.0 dB(A)  
Garantuotas akustinis lygis: 86 dB(A)

Atitikties įvertinimo metodas pagal direktyvos 2000/14/EC, VI Priedą su pataisomis 2005/88/EC.

Andrew John Eyre (BEng, CEng, MIET)  
Kontrolės Ir Saugos Viceprezidentas  
Winnenden, Nov. 25, 2016

[galiotas sudaryti techninį failą:  
Alexander Krug, Generalinis Direktorius  
Techtronic Industries GmbH  
Max-Eyth-Straße 10, 71364 Winnenden, Germany

CE

**HR EC IZJAVA O USKLADENOSTI**

Techtronic Industries GmbH  
Max-Eyth-Straße 10, 71364 Winnenden, Germany

*Uvime izjavljujemo da su proizvodi*

Bežične škare za travu/rezač ukrasnog gmlja  
Marka: Ryobi  
Broj modela: OGS1822  
Raspon serijskog broja: 46204401000001- 46204401999999

*usklađen sa sljedećim Europskim Direktivama i usklađenim normama*

2006/42/EC, 2014/30/EU, 2000/14/EC, 2005/88/EC, 2011/65/EU, EN55014-1:2006+A1:2009+A2:2011; EN55014-2:2015; EN60745-1:2009+A11:2010, EN60745-2-15:2009+A1:2010; EN60335-1:2012+A11:2014; EN50636-2-94:2014; EN50581:2012; EN ISO 3744:2010

Izmjerena razina zvučne snage: 83.0 dB(A)  
Jamčena razina zvučne snage: 86 dB(A)

Metoda procjene usklađenosti prema Dodatku VI Direktive 2000/14/EC navedeno u 2005/88/EC.

Andrew John Eyre (BEng, CEng, MIET)  
Potpredsjednik za Pravila i Sigurnost  
Winnenden, Nov. 25, 2016

Ovlašten da sastavi tehničku datoteku:  
Alexander Krug, Direktor Upravljanja  
Techtronic Industries GmbH  
Max-Eyth-Straße 10, 71364 Winnenden, Germany

CE

**SL** IZJAVA EC O SKLADNOSTI

Techtronic Industries GmbH  
Max-Eyth-Straße 10, 71364 Winnenden, Germany

*Izjavljamo, da je izdelek*

Brezžični strižnik za travo/žaga za grmovje  
Znamka: Ryobi  
Številka modela: OGS1822  
Razpon serijskih števil: 46204401000001- 46204401999999

*v skladu s sledečimi evropskimi direktivami in harmoniziranimi standardi*

2006/42/EC, 2014/30/EU, 2000/14/EC, 2005/88/EC, 2011/65/EU, EN55014-1:2006+A1:2009+A2:2011; EN55014-2:2015; EN60745-1:2009+A11:2010, EN60745-2-15:2009+A1:2010; EN60335-1:2012+A11:2014; EN50636-2-94:2014; EN50581:2012; EN ISO 3744:2010

Izmerjena raven zvočne moči: 83.0 dB(A)  
Zajamčena raven zvočne moči: 86 dB(A)

Način ugotavljanja skladnosti z aneksom VI direktive 2000/14/EC ki je bila spremenjena z 2005/88/EC.

Andrew John Eyre (BEng, CEng, MIET)  
Podpredsednik, Zakonodajne In Varnostne Zadeve  
Winnenden, Nov. 25, 2016

Pooblaščen oseba za sestavo tehnične dokumentacije:  
Alexander Krug, Izvršni Direktor  
Techtronic Industries GmbH  
Max-Eyth-Straße 10, 71364 Winnenden, Germany

CE

**BG** ЕС ДЕКЛАРАЦИЯ НА ЗА СЪОТВЕТСТВИЕ

Techtronic Industries GmbH  
Max-Eyth-Straße 10, 71364 Winnenden, Germany

С настоящето декларираме, че продуктите

Безжичните ножици за трева/храсти  
Марка: Ryobi  
Номер на модела: OGS1822  
Обхват на серийни номера: 46204401000001- 46204401999999

отговаря на следните директиви на ЕС и хармонизирани стандарти

2006/42/EC, 2014/30/EU, 2000/14/EC, 2005/88/EC, 2011/65/EU, EN55014-1:2006+A1:2009+A2:2011; EN55014-2:2015; EN60745-1:2009+A11:2010, EN60745-2-15:2009+A1:2010; EN60335-1:2012+A11:2014; EN50636-2-94:2014; EN50581:2012; EN ISO 3744:2010

Измерено ниво на шум: 83.0 dB(A)  
Гарантирано ниво на шум: 86 dB(A)

Метод за оценяване на съответствието с приложение VI Директива 2000/14/EC, изменена от 2005/88/EC.

Andrew John Eyre (BEng, CEng, MIET)  
Вицепрезидент, Правни Услуги И Безопасност  
Winnenden, Nov. 25, 2016

Упълномощено лице за съставяне на техническия файл:  
Alexander Krug, Изпълнителен Директор  
Techtronic Industries GmbH  
Max-Eyth-Straße 10, 71364 Winnenden, Germany

CE

**SK** PREHLÁSENIE O ZHODE EC

Techtronic Industries GmbH  
Max-Eyth-Straße 10, 71364 Winnenden, Germany

*Týmto vyhlasujeme, že výrobok*

Akumulátorové nožnice na trávu/na živý plot  
Značka: Ryobi  
Číslo modelu: OGS1822  
Rozsah sériových čísel: 46204401000001- 46204401999999

*je v súlade s nasledujúcimi Európskymi smernicami a harmonizovanými normami*

2006/42/EC, 2014/30/EU, 2000/14/EC, 2005/88/EC, 2011/65/EU, EN55014-1:2006+A1:2009+A2:2011; EN55014-2:2015; EN60745-1:2009+A11:2010, EN60745-2-15:2009+A1:2010; EN60335-1:2012+A11:2014; EN50636-2-94:2014; EN50581:2012; EN ISO 3744:2010

Nameraná úroveň hluku: 83.0 dB(A)  
Garantovaná úroveň hluku: 86 dB(A)

Spôsob určenia zhody podľa Dodatku VI Smernica 2000/14/EC doplnená o 2005/88/EC.

Andrew John Eyre (BEng, CEng, MIET)  
Viceprezident, Regulácia a Bezpečnosť  
Winnenden, Nov. 25, 2016

Oprávnená osoba na zostavenie technického súboru:  
Alexander Krug, Generálny Riaditeľ  
Techtronic Industries GmbH  
Max-Eyth-Straße 10, 71364 Winnenden, Germany

CE

**UK** ЕС ДЕКЛАРАЦИЯ ПРО ВІДПОВІДНІСТЬ

Techtronic Industries GmbH  
Max-Eyth-Straße 10, 71364 Winnenden, Germany

При цьому ми заявляємо, що продукт

Ножицями для трави/кущі  
Марка: Ryobi  
Номер моделі: OGS1822  
Діапазон серійного номеру: 46204401000001- 46204401999999

у відповідності з наступними європейськими директивами та гармонізованими стандартами

2006/42/EC, 2014/30/EU, 2000/14/EC, 2005/88/EC, 2011/65/EU, EN55014-1:2006+A1:2009+A2:2011; EN55014-2:2015; EN60745-1:2009+A11:2010, EN60745-2-15:2009+A1:2010; EN60335-1:2012+A11:2014; EN50636-2-94:2014; EN50581:2012; EN ISO 3744:2010

Вимірний рівень звукової потужності: 83.0 dB(A)  
Гарантований рівень звукової потужності: 86 dB(A)

Метод оцінки відповідності додаток VI Директива 2000/14/EC з поправками, внесеними 2005/88 / EC.

Andrew John Eyre (BEng, CEng, MIET)  
Віце-президент, регулювання і безпека  
Winnenden, Nov. 25, 2016

Дозвіл на складання технічного файла:  
Alexander Krug, керуючий Директор  
Techtronic Industries GmbH  
Max-Eyth-Straße 10, 71364 Winnenden, Germany

CE

**TR EC UYGUNLUK BEYANI**

Techtronic Industries GmbH  
Max-Eyth-StraÙe 10, 71364 Winnenden, Germany

*İÙ bu belge ile bu ürünün*


Kablosuz çim makası/funda kesici  
Marka: Ryobi  
Model numarası: OGS1822  
Seri numarası aralıđı: 46204401000001- 46204401999999

*aÙađıdaki Avrupa Direktiflerine ve uyulaÙtırılmıÙ standartlara uygun olduđunu beyan ediyorum*

2006/42/EC, 2014/30/EU, 2000/14/EC, 2005/88/EC, 2011/65/EU, EN55014-1:2006+A1:2009+A2:2011; EN55014-2:2015; EN60745-1:2009+A11:2010, EN60745-2-15:2009+A1:2010; EN60335-1:2012+A11:2014; EN50636-2-94:2014; EN50581:2012; EN ISO 3744:2010

Ölçülen ses gücü seviyesi: 83.0 dB(A)  
Güvenceli ses gücü seviyesi: 86 dB(A)

2005/88/AT ile deđiÙtirilen 2000/14/AT Direktifi Ek VI uyarınca uygunluk deđerlendirmesi yöntemi



Andrew John Eyre (BEng, CEng, MIET)  
Kıdemli Mühendislik Yöneticisi  
Winnenden, Nov. 25, 2016

**CE**

Teknik dosyayı derlemekle yetkili sorumlu:  
Alexander Krug, İdari Müdür  
Techtronic Industries GmbH  
Max-Eyth-StraÙe 10, 71364 Winnenden, Germany



**Techtronic Industries GmbH**  
Max-Eyth-Straße 10,  
71364 Winnenden, Germany